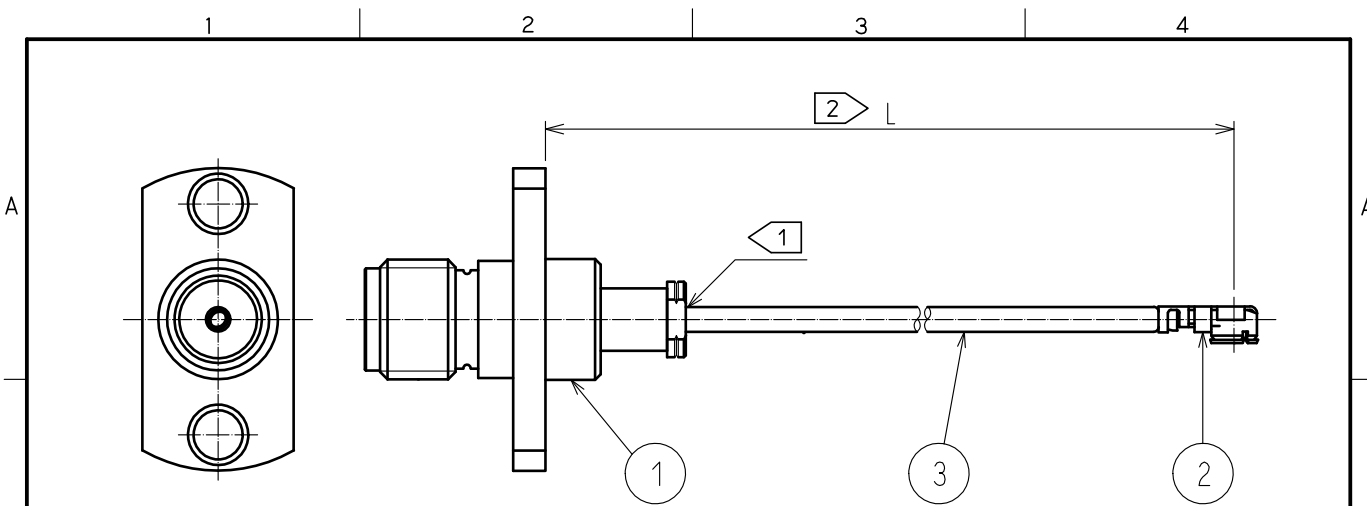


Jul.1.2024 Copyright 2024 HIROSE ELECTRIC CO., LTD. All Rights Reserved.  
 In case of consideration for using Automotive equipment / device which demand high reliability, kindly contact our sales window correspondents.



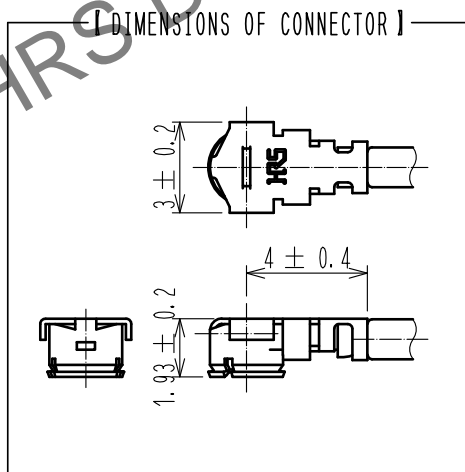
NOTE 1 Do not apply any excessive stress to the cable assembly position.

2 We indicate the length of the harness on the last of product name, 'L' part.

Length L [mm]		Tolerance [mm]
$50 \leq L \leq 200$		$\pm 4$
$200 < L \leq 500$		$\pm 8$
$500 < L \leq 1000$		$\pm 12$
$1000 < L$		$\pm 1.5\%$

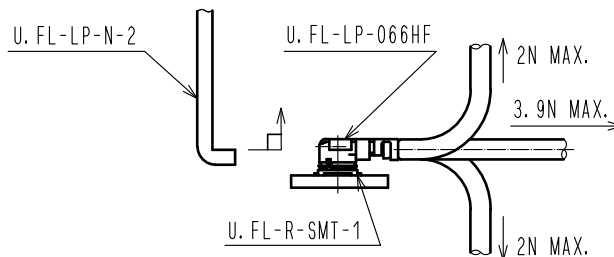
Part No.	Cable color
~066N1~	GRAY
~066N2~	BLACK
~066N3~	WHITE

- Connector rotation angle is within  $\pm 45$  degree from the above image. For long length in the case of  $L > 500$ , the angle is optional.
- Specifications are subject to change without notice.



【 PRECAUTIONS FOR HANDLING 】

- Connector insertion and extraction
  - Connector shall be extracted vertically by specialised extraction JIG. Part No.: U.FL-LP-N-2 (CL Code: CL331-0494-5) Never hold the cable when extracting the cable because it damages the connector.
  - Insert the connector as perpendicularly to the mating surface as possible by aligning the mating axes of both connectors. Do not excessively slant the connectors when inserting.
- Allowable loads on the cable after the connectors are mated. The figures below show the maximum allowable loads on the cable. Do not apply loads exceeding these values to the cable.



2	U.FL-LP-066HF	CL331-0558-6-00		
1	HRM-200-066PJ2BN(40)	CL323-0788-1-40	3	RF-MF5013
N o.	PART NO.	CODE NO.	N o.	PART NO.
				NISSEI ELECTRIC CO., LTD.
				MANUFACTURER

UNITS mm	SCALE FREE	COUNT	DESCRIPTION OF REVISIONS	DESIGNED	CHECKED	DATE
HIROSE ELECTRIC CO., LTD.			APPROVED : KY. SHIMIZU 20200110 CHECKED : KY. SHIMIZU 20200110 DESIGNED : MK. INOUE 20200110 DRAWN : MK. INOUE 20200110	DRAWING NO. HPJ2-UFLHF6-066N* -ALRS PART NO. CODE NO.		
						1/1