

Part No.	Cable color
~044*1TS~	WHITE
~044*2TS~	BLACK

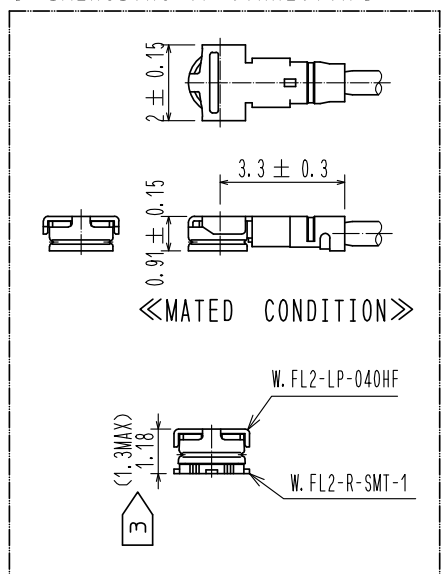
NOTE 1. Please place an order as the assembled product.

- 2. There is no compatibility between W.FL series and W.FL2 series.
- 3. The drawing shows mated connector height only.
- 4. We indicate the length of the harness on the last of product name, "L" part.
- 5. Tolerance for [L]

Length L [mm]	Tolerance [mm]
$35 \leq L \leq 200$	± 4
$200 < L \leq 500$	± 8
$500 < L \leq 1000$	± 12
$1000 < L$	$\pm 1.5\%$

- 6. Connector rotation angle is within ± 45 degree from the above image. For long length in the case of $L > 150$, the angle is optional.
- 7. Specifications are subject to change without notice.

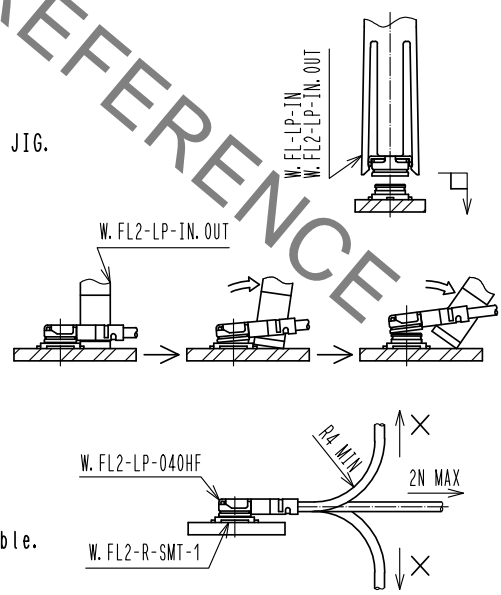
【 DIMENSIONS OF CONNECTOR 】



【 PRECAUTIONS FOR HANDLING 】

◆ Connector insertion and extraction

- a. Insert the connector as perpendicularly as possible with aligning the mating surface of both connectors by specialised insertion JIG.
Part No. :W.FL-LP-IN<CL331-0323-2> or
W.FL2-LP-IN.OUT<CL331-0321-7>
Do not excessively slant the connectors when inserting.
- b. Connector shall be extracted by specialised extraction JIG.
Part No. :W.FL2-LP-IN.OUT
Never hold the cable when extracting the cable because it damages the connector.



- ◆ Allowable loads on the cable after the connectors are mated.
The right figures show the maximum allowable loads on the cable.
Do not apply loads exceeding these values to the cable.

1	W.FL2-LP-040HF(06)	CL331-0311-3-06	2	0.64 Dia. coaxial cable	HALOGEN FREE
No.	Part No.	Code No.	No.	Part No.	

UNITS mm		SCALE FREE	COUNT 	DESCRIPTION OF REVISIONS	DESIGNED	CHECKED	DATE
-------------	--	---------------	-----------	--------------------------	----------	---------	------

HRS HIROSE ELECTRIC CO., LTD.	APPROVED	·NK. NINOMIYA	20190717	DRAWING NO.	WFL2-2HF6-044**TS-A-L 4
	CHECKED	·NK. NINOMIYA	20190717	PART NO.	
	DESIGNED	·MK. INOUE	20190717	CODE NO.	
	DRAWN	·MK. INOUE	20190717		