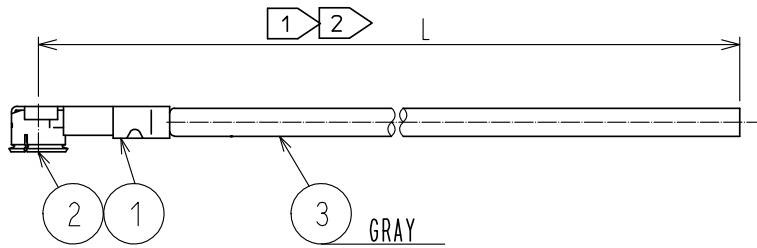


Mar.1.2026 Copyright 2026 HIROSE ELECTRIC CO., LTD. All Rights Reserved.
In case of consideration for using Automotive equipment / device which demand high reliability, kindly contact our sales window correspondents.



NOTE 1 We indicate the length of the harness on the last of product name. 'L' part.

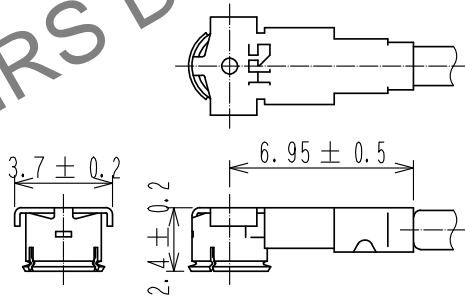
2 Tolerance for 【L】

L (mm)	STANDARD TOLERANCE
$35 \leq L \leq 200$	± 4 mm
$200 < L \leq 500$	± 8 mm
$500 < L \leq 1000$	± 12 mm
$1000 < L$	$\pm 1.5\%$ mm

3. Specifications are subject to change without notice.

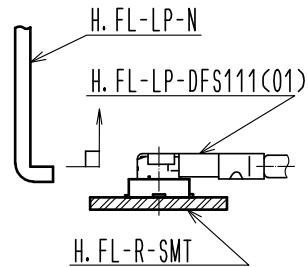
HRS DRAWING FOR REFERENCE

【 DIMENSIONS OF CONNECTOR 】



【 PRECAUTIONS FOR HANDLING 】

- ◆ Connector insertion and extraction
 - a. Connector shall be extracted vertically by specialised extraction JIG.
Part No. : H.FL-LP-NCCL Code: CL331-0551-7>
Never hold the cable when extracting the cable because it damages the connector.
 - b. Insert the connector as perpendicularly to the mating surface as possible by aligning the mating axes of both connectors. Do not excessively slant the connectors when inserting.



2	H. FL-LP CONTACT	CL331-0511-2		
1	H. FL-LP-DFS111(01)	CL331-0503-4-01	3	1.5Dia. coaxial cable
NO.	PART NO.	CODE NO.	NO.	PART NO.

UNITS mm		SCALE FREE	COUNT 	DESCRIPTION OF REVISIONS		DESIGNED	CHECKED	DATE
				APPROVED : NK. NINOMIYA	16.11.08	DRAWING NO.	EDC-373618-00-00	
HRS HIROSE ELECTRIC CO., LTD.		CHECKED : NK. NINOMIYA		16.11.08	PART NO.	H. FL-LP-111-A-L 1		
		DESIGNED : KS. TAKAHASHI		16.11.08	CODE NO.	CL321-5111-4-00 1 / 1		
		DRAWN : KS. TAKAHASHI		16.11.08				