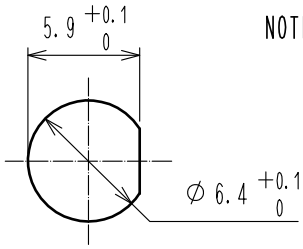
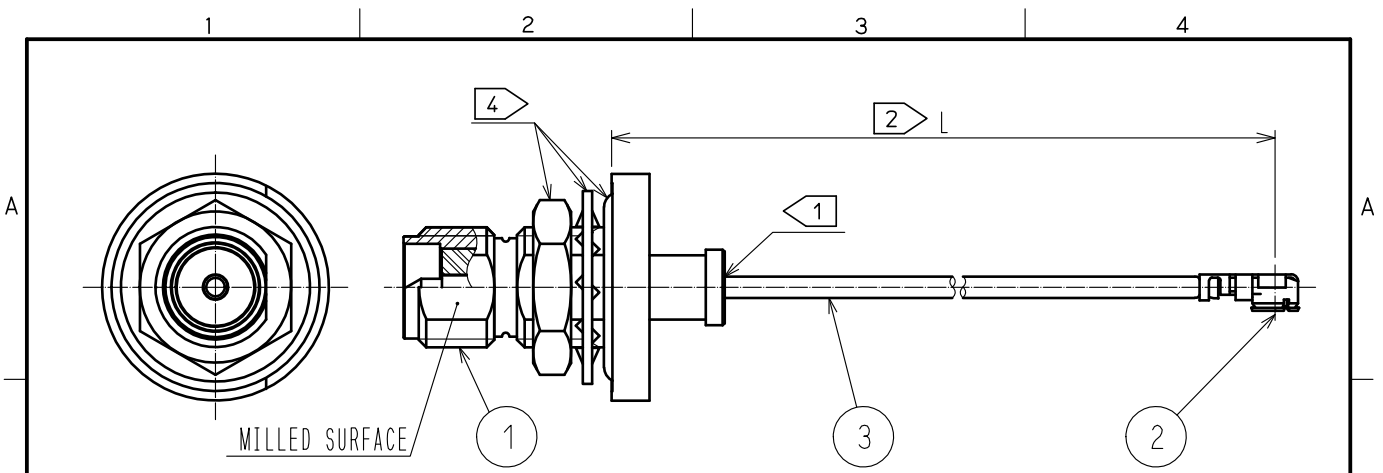


Aug. 1. 2024 Copyright 2024 HIROSE ELECTRIC CO., LTD. All Rights Reserved.
 In case of consideration for using Automotive equipment / device which demand high reliability, kindly contact our sales window correspondents.



PANEL CUT OUT(REFERENSE)
 PANEL THICKNESS: 0.7~2.2mm

- NOTE
- ① Do not apply any excessive stress to the cable assembly position.
 - ② We indicate the length of the harness on the last of product name. 'L' part.

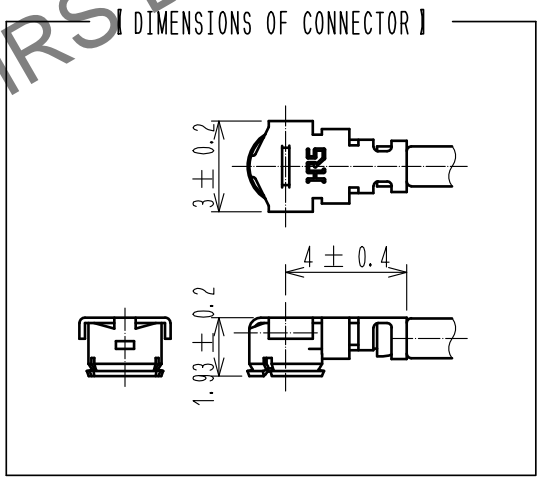
Tolerance for [L]

Length L [mm]	Tolerance [mm]
50 ≤ L ≤ 200	±4
200 < L ≤ 500	±8
500 < L ≤ 1000	±12
1000 < L	±1.5%

Part No.	Cable color
~068N1T~	GRAY
~068N2T~	BLACK
~068N3T~	WHITE

- 3. Connector rotation angle is within ±45 degree from the above image. For long length in the case of L>500, the angle is optional.
- ④ Lock nut, tooth washer and o-ring are attached separately in other package.
- 5. Specifications are subject to change without notice.

HRS DRAWING FOR REFERENCE



[PRECAUTIONS FOR HANDLING]

- ◆ Connector insertion and extraction
 - a. Connector shall be extracted vertically by specialised extraction JIG. Part No. : U.FL-LP-N-2 (CL Code: CL331-0494-5) Never hold the cable when extracting the cable because it damages the connector.
 - b. Insert the connector as perpendicularly to the mating surface as possible by aligning the mating axes of both connectors. Do not excessively slant the connectors when inserting.
- ◆ Allowable loads on the cable after the connectors are mated. The figures below show the maximum allowable loads on the cable. Do not apply loads exceeding these values to the cable.

2	U.FL-LP-068HF	CL331-0566-4-00			
1	SMA(R)-200-066WBPJBN	CL323-0948-6	3	RF-MF50161	NISSEI ELECTRIC CO., LTD.
N o.	PART NO.	CODE NO.	N o.	PART NO.	MANUFACTURER

UNITS mm	SCALE FREE	COUNT	DESCRIPTION OF REVISIONS	DESIGNED	CHECKED	DATE
HRS HIROSE ELECTRIC CO., LTD.			APPROVED : TS. NAKAGAWA 20221018 CHECKED : MT. KANEKO 20221018 DESIGNED : MS. MATSUMOTO 20221018 DRAWN : MS. MATSUMOTO 20221018	DRAWING NO. SRWBPJ-UHF6-068N*T-AL PART NO. CODE NO.		
						1/1