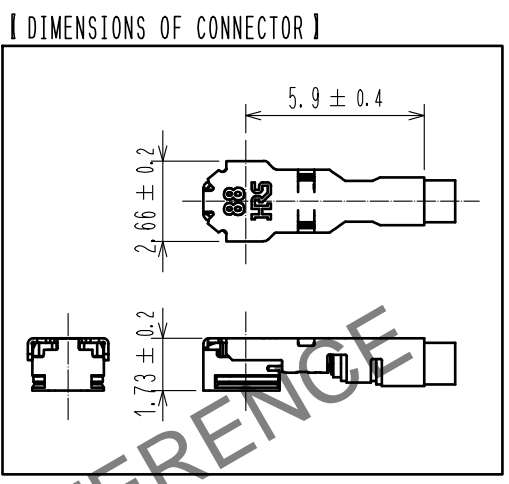


- NOTE 1 We indicate the length of the harness on the last of product name, "L" part.
- 2 The angle is optional for long length in the case of  $L > 250$ .
- 3 Tolerance for [L]

Length L [mm]	Tolerance [mm]
$100 \leq L \leq 200$	$\pm 4$ mm
$200 < L \leq 500$	$\pm 8$ mm
$500 < L \leq 1000$	$\pm 12$ mm



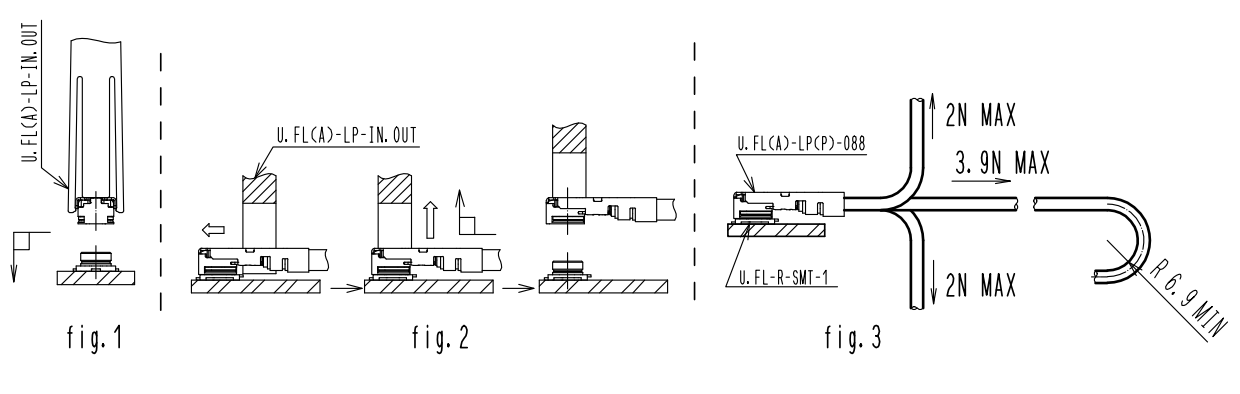
- ⚠️ \* For L longer than 1000mm or shorter than 100mm, please contact our representatives.
4. Specifications are subject to change without notice.

【 PRECAUTIONS FOR HANDLING 】

- Connector insertion and extraction
  - Insert the connector as perpendicularly to the mating surface as possible with aligning the mating axes of both connectors by specialised insertion JIG. Part No.: U.FL(A)-LP-IN.OUT(CL331-2401-0) (fig.1)
    - Do not excessively slant the connectors when inserting.
  - Connector shall be extracted by specialised extraction JIG. Part No.: U.FL(A)-LP-IN.OUT(CL331-2401-0) (fig.2)
    - Never hold the cable when extracting the cable because it damages the connector.
- Allowable loads on the cable after the connectors are mated.
 

The below figures show the maximum allowable loads on the cable. (fig.3)

  - Do not apply loads exceeding these values to the cable.



1	U.FL(A)-LP(P)-088	CL331-2400-0	2	1.37 Dia. coaxial cable
No.	Part No.	Code No.	No.	Part No.

HALOGEN FREE

UNITS mm		SCALE FREE	COUNT 2	DESCRIPTION OF REVISIONS DIS-D-00006986	DESIGNED MS. MATSUMOTO	CHECKED MT. KANEKO	DATE 20210323
APPROVED :NK. NINOMIYA 20200220 CHECKED :MT. KANEKO 20200220 DESIGNED :MK. INOUE 20200220 DRAWN :MK. INOUE 20200220				DRAWING NO. PART NO. UFL-2LPA-088Y*T-A-L CODE NO.			