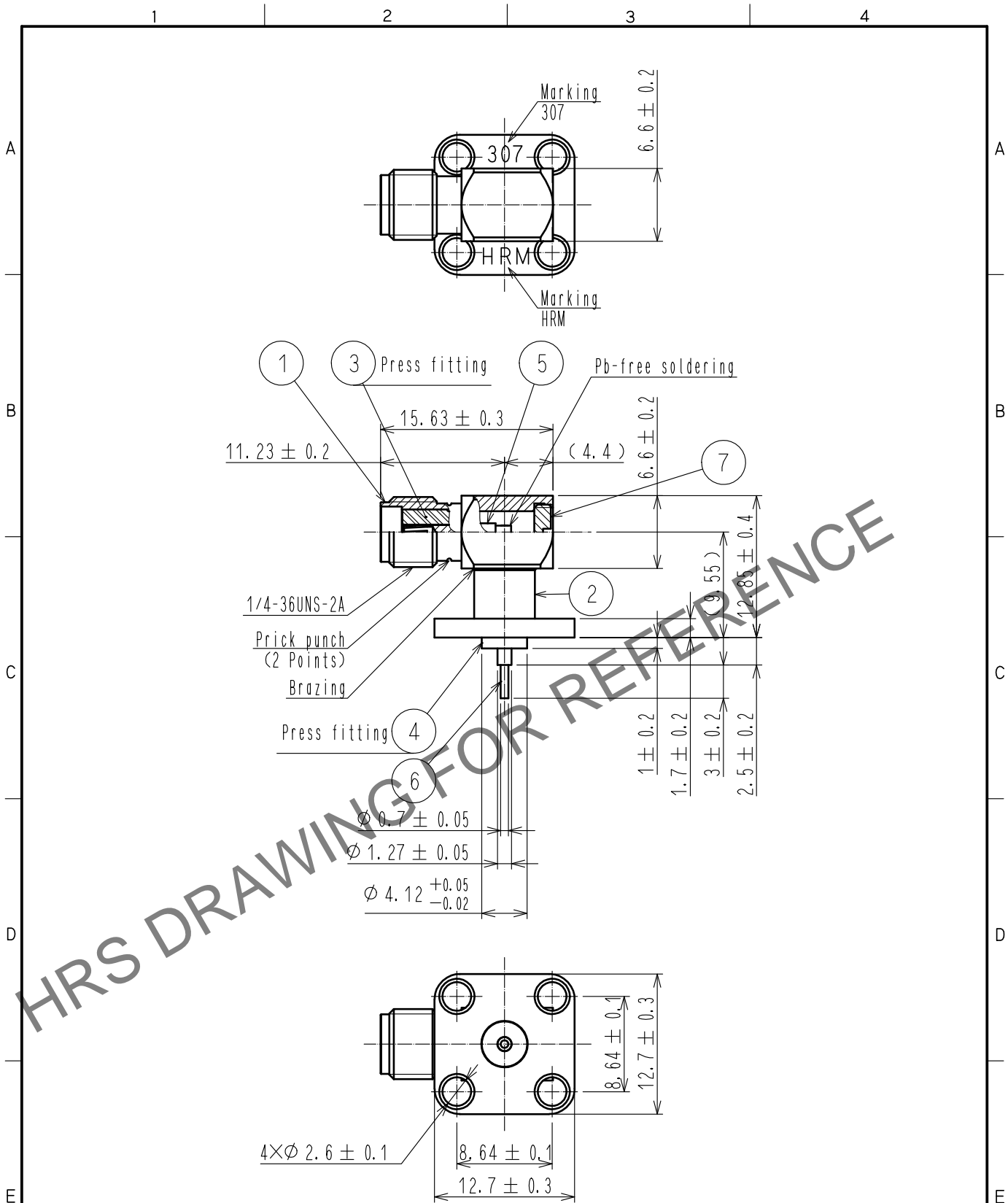


Mar.1.2026 Copyright 2026 HIROSE ELECTRIC CO., LTD. All Rights Reserved.
 In case of consideration for using Automotive equipment / device which demand high reliability, kindly contact our sales window correspondents.



RoHS COMPLIANT

4	PTFE			7	BRASS	GOLD PLATING
3	PTFE			6	BRASS	GOLD PLATING
2	STAINLESS STEEL	GOLD PLATING		5	BERYLLIUM COPPER	GOLD PLATING
1	STAINLESS STEEL	GOLD PLATING				
NO.	MATERIAL	FINISH	REMARKS	NO.	MATERIAL	FINISH

UNITS mm		SCALE 2 : 1	COUNT 	DESCRIPTION OF REVISIONS	DESIGNED	CHECKED	DATE
-------------	--	----------------	-----------	--------------------------	----------	---------	------

HIROSE ELECTRIC CO., LTD.	APPROVED : KY. SHIMIZU	16.02.17	DRAWING NO.	EDC-004819-40-00
	CHECKED : TO. KATAYAMA	16.02.17	PART NO.	HRM-307(40)
	DESIGNED : NK. OOSAWA	16.02.17	CODE NO.	CL323-0019-7-40
	DRAWN : NK. OOSAWA	16.02.17		