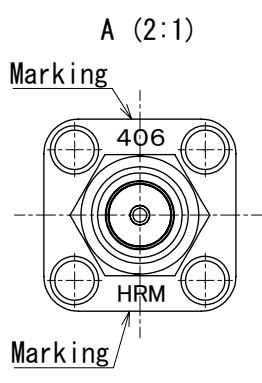
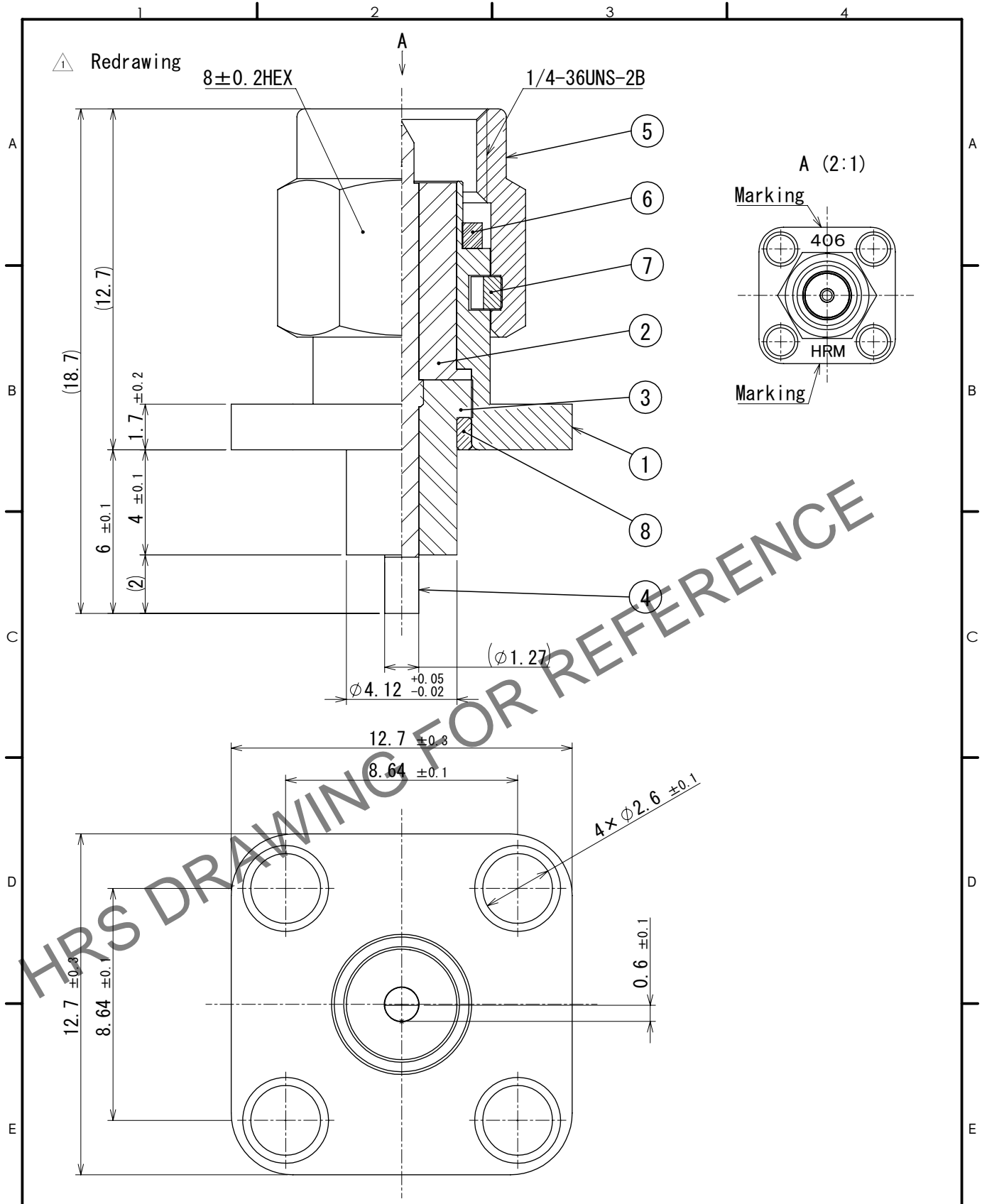


Mar.1.2026 Copyright 2026 HIROSE ELECTRIC CO., LTD. All Rights Reserved.
 In case of consideration for using Automotive equipment / device which demand high reliability, kindly contact our sales window correspondents.



HRS DRAWING FOR REFERENCE

4	Brass	Gold plating	8	Stainless steel	Gold plating		
3	PTFE		7	Beryllium copper	Nickel plating		
2	PTFE		6	Silicone rubber			
1	Stainless steel	Gold plating	5	Stainless steel	Gold plating		
NO.	MATERIAL	FINISH	REMARKS	NO.	MATERIAL	FINISH	REMARKS

	HIROSE ELECTRIC CO., LTD.	APPROVED : NK. NINOMIYA 2022. 01. 25	DRAWING NO. EDC-004797-40-00
		CHECKED : NK. NINOMIYA 2022. 01. 25	
		DESIGNED : MT. KANEKO 2022. 01. 25	CODE NO. CL0323-0026-2-40
		DRAWN : YK. MITSUISHI 2022. 01. 21	1/1