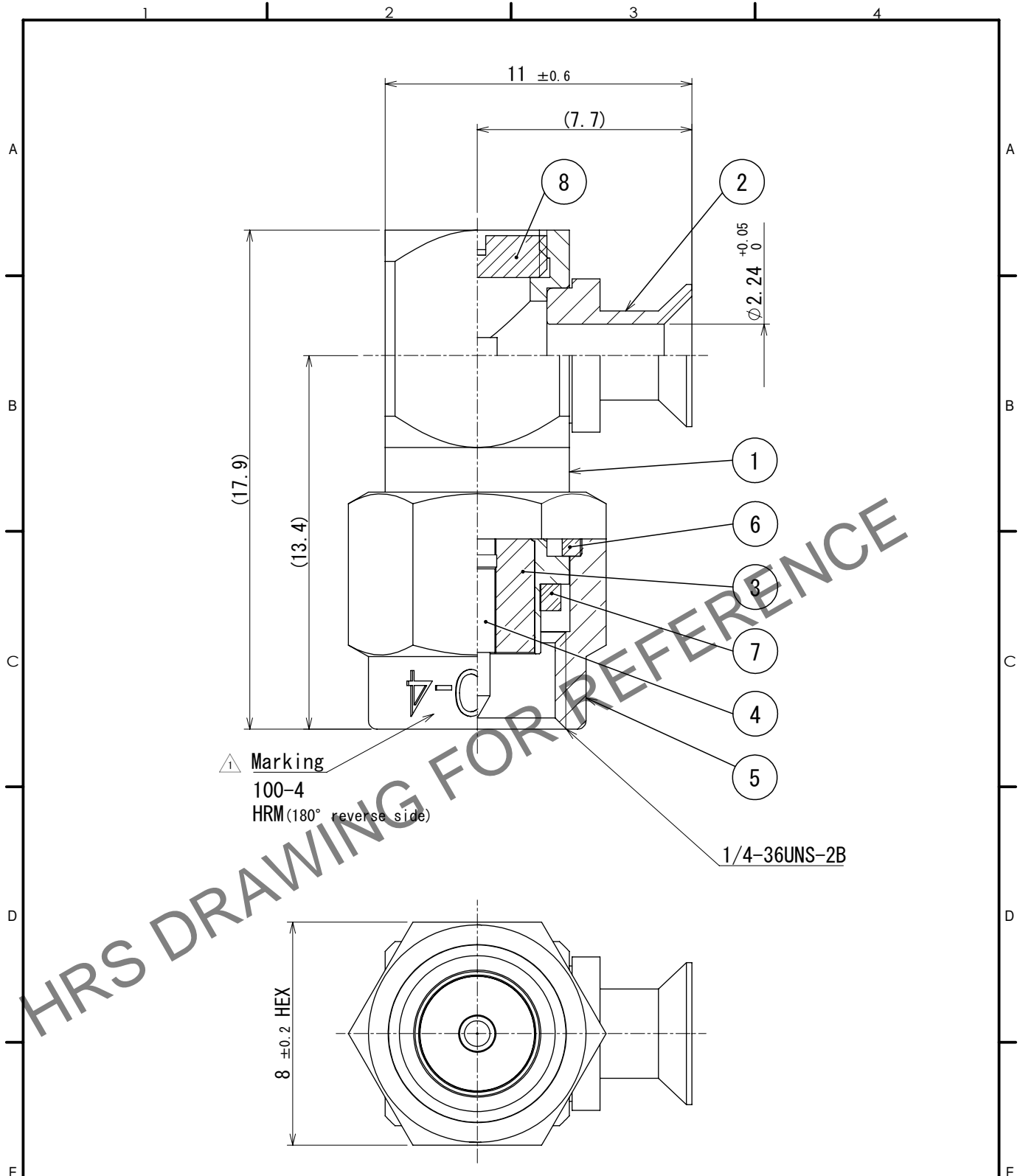


Mar.1.2026 Copyright 2026 HIROSE ELECTRIC CO., LTD. All Rights Reserved.
 In case of consideration for using Automotive equipment / device which demand high reliability, kindly contact our sales window correspondents.



△ CAD Change

4	Brass	Gold plating	8	Brass	Gold plating		
3	PTFE		7	Silicone rubber	(Red)		
2	Stainless steel	Gold plating	6	Beryllium copper	Nickel plating		
1	Stainless steel	Gold plating	5	Stainless steel	Gold plating		
NO.	MATERIAL	FINISH	REMARKS	NO.	MATERIAL	FINISH	REMARKS

UNITS mm		SCALE 5:1	COUNT	DESCRIPTION OF REVISIONS	DESIGNED	CHECKED	DATE
			2	DIS-D-00019355	NK. OOSAWA	TS. NOBE	2024. 08. 27
HIROSE ELECTRIC CO., LTD.	APPROVED : NK. NINOMIYA	2022. 01. 27	DRAWING NO. EDC-007298-40-00				
	CHECKED : NK. NINOMIYA	2022. 01. 27	PART NO. HRM-100-4 (40)				
	DESIGNED : MK. INOUE	2022. 01. 27	CODE NO. CL0323-0147-7-40				
	DRAWN : YK. MITSUISHI	2022. 01. 27	1/1				