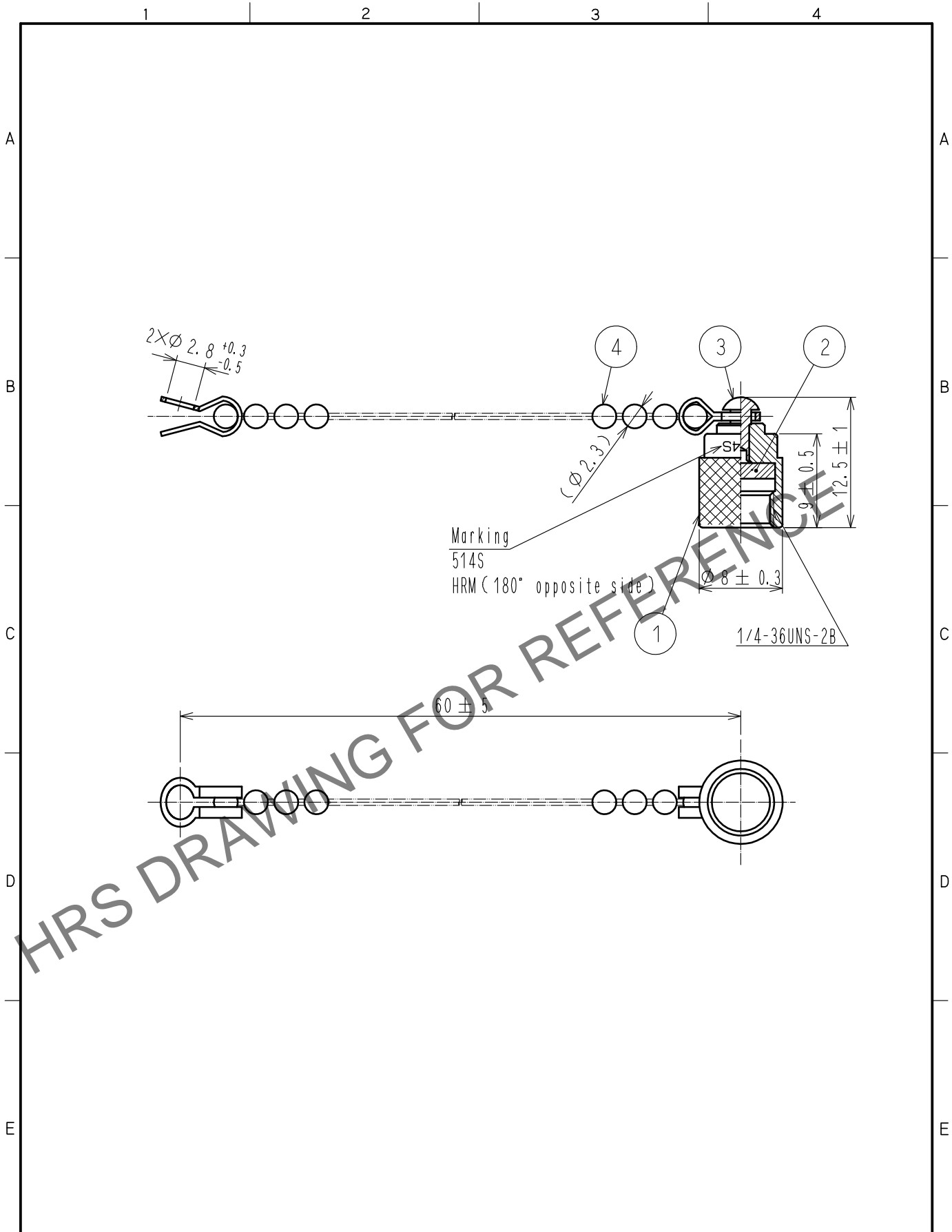


Mar.1.2026 Copyright 2026 HIROSE ELECTRIC CO., LTD. All Rights Reserved.
 In case of consideration for using Automotive equipment / device which demand high reliability, kindly contact our sales window correspondents.



2	SILICONE RUBBER		4	BRASS	CHROME PLATING		
1	BRASS	NICKEL PLATING	3	ALUMINIUM			
NO.	MATERIAL	FINISH . REMARKS	NO.	MATERIAL	FINISH . REMARKS		
UNITS mm		SCALE 2 : 1	COUNT 	DESCRIPTION OF REVISIONS	DESIGNED	CHECKED	DATE
HIROSE ELECTRIC CO., LTD.	APPROVED	·TO. KATAYAMA	18.06.13	DRAWING NO.	EDC-007301-40-00		
	CHECKED	·KY. SHIMIZU	18.06.12	PART NO.	HRM-514S(40)		
	DESIGNED	·SR. AIHARA	18.06.12	CODE NO.	CL323-0150-1-40		
	DRAWN	·SR. AIHARA	18.06.12			1/1	