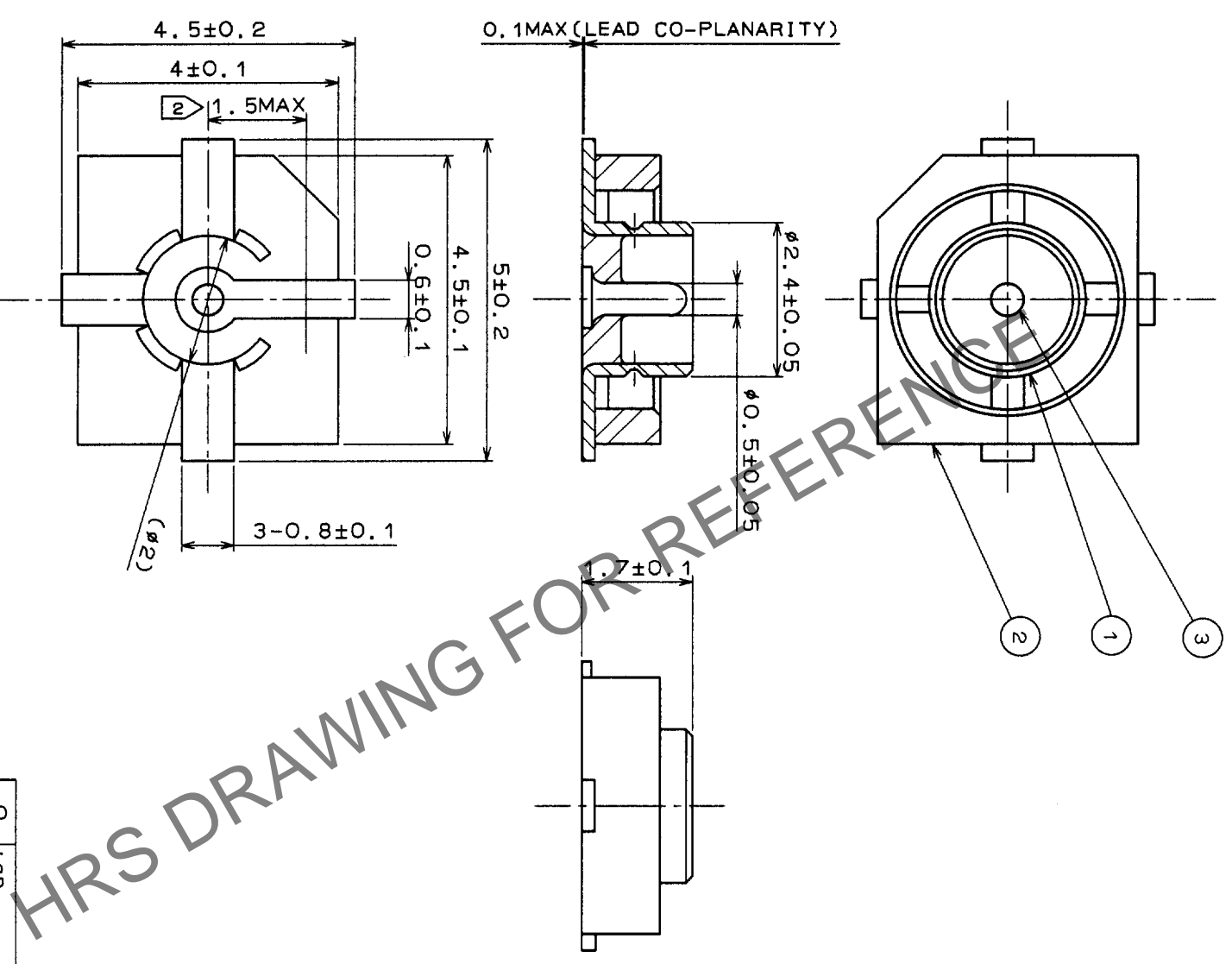
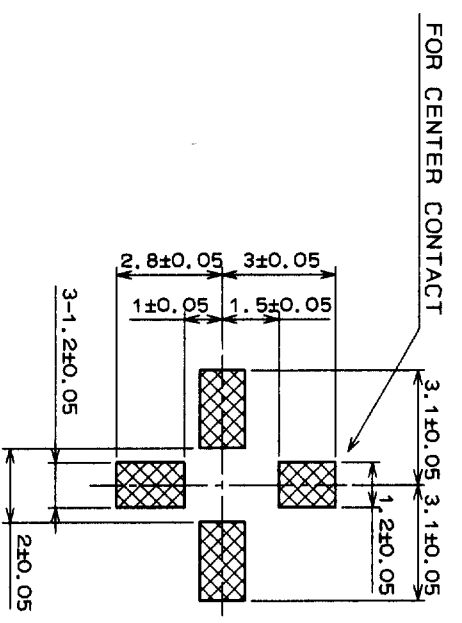


NO.	DATE	BY	CHKD	DESCRIPTION OF REVISIONS



HRS DRAWING FOR REFERENCE

RECOMMENDED PC BOARD
PAD PATTERN (5:1)



FOR CENTER CONTACT

NOTES 1 THE QUANTITY OF H.FL-R-SMT(01) IS 100 CONNECTORS PER PACK.
2 THIS DIMENSION SHOWS THE ALLOWABLE RANGE THAT THE RESIN IS PUT OVER THE CENTER CONTACT.

NO.	MATERIAL	FINISH, REMARKS	NO.	MATERIAL	FINISH, REMARKS
2	LCP	(BLACK) UL94V-0	3	BRASS	GOLD PLATING 0.2μm MIN OVER NICKEL PLATED 1.27μm MIN
1	PHOSPHOR BRONZE	SILVER PLATING 2μm MIN			

CODE NO. (OLD)	DRAWN	DESIGNED	CHECKED	APPROVED	RELEASED
	<i>J. Okawa</i>	<i>N. Niinomiya</i>	<i>J. Matsuda</i>	<i>K. Kobayashi</i>	
	97.4.9	97.4.9	97.4.10	97.4.15	

DRAWING NO.	PART NO.
EDC3-046538-01	H.FL-R-SMT(01)
SCALE 10:1	CODE NO.
UNITS mm	CL331-0521-6-01

TO	RF	USA
----	----	-----