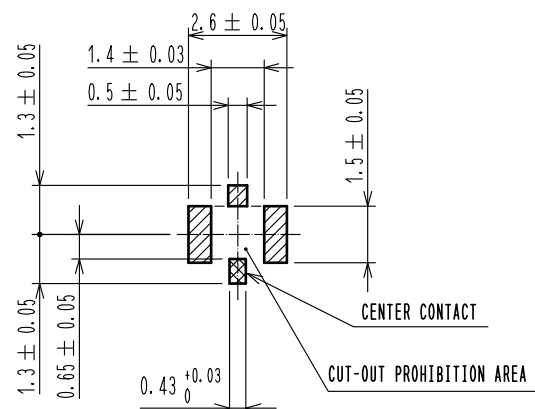
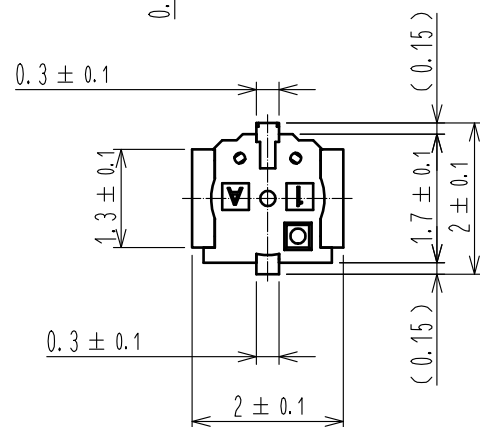
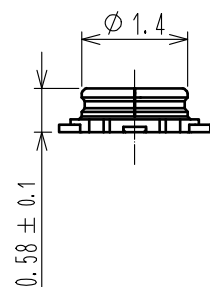
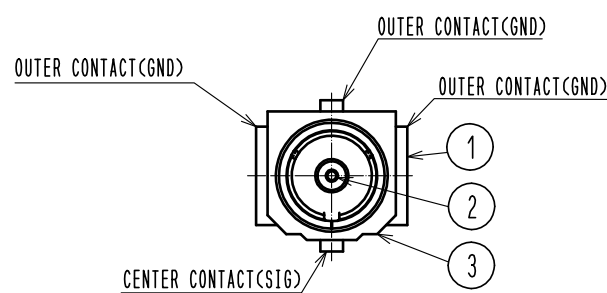
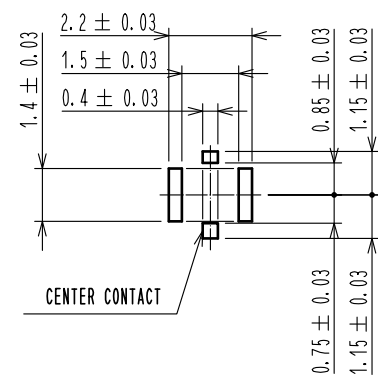


Apr.1.2024 Copyright 2024 HIROSE ELECTRIC CO., LTD. All Rights Reserved.
In case of consideration for using Automotive equipment / device which demand high reliability, kindly contact our sales window correspondents.

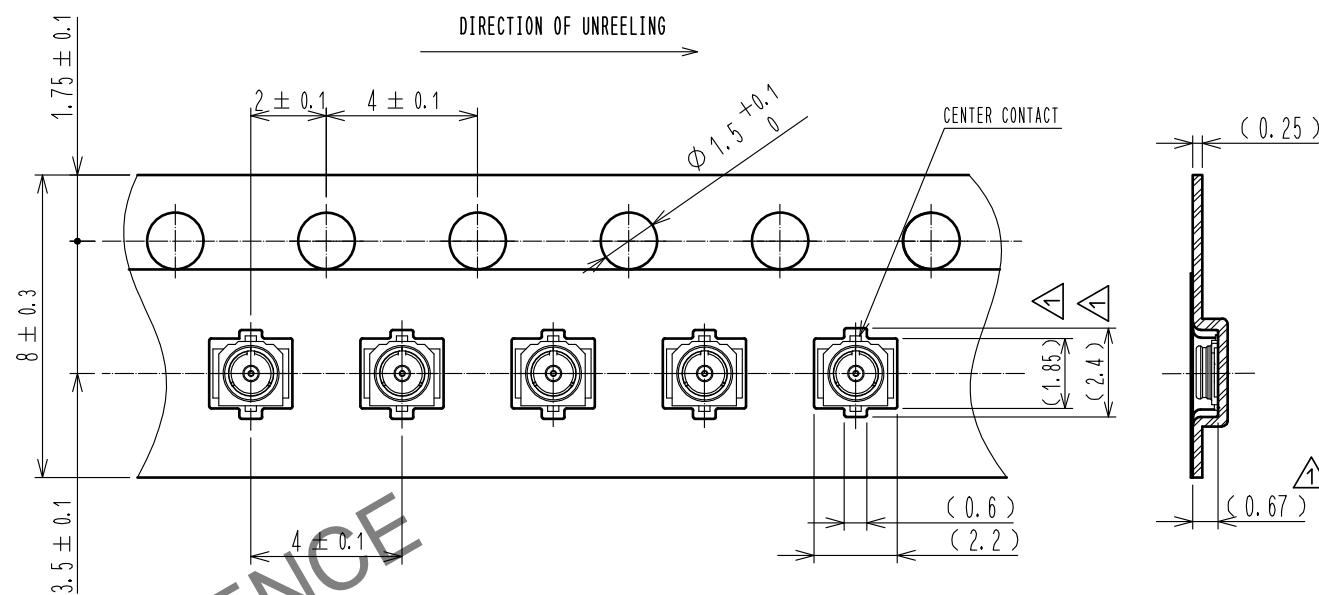
RECOMMENDED PCB LAYOUT (MOUNTING SURFACE SIDE)(5:1)



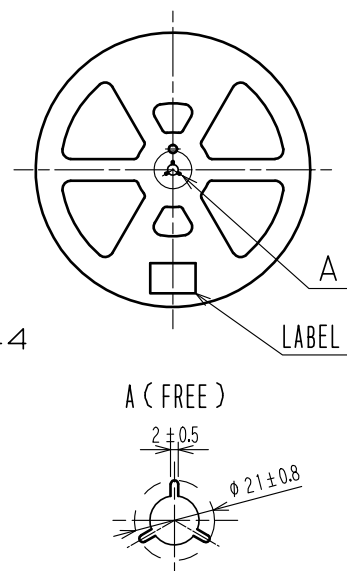
RECOMMENDED METAL MASK DIMENSIONS (5:1)
METAL MASK THICKNESS:0.1mm



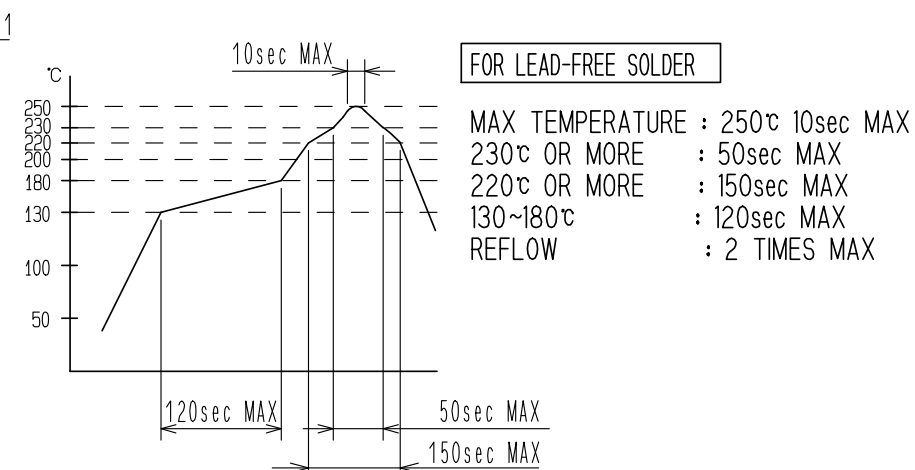
EMBOSSED TAPING DRAWING (FREE)



REEL DRAWING (FREE)



RECOMMENDED REFLOW TEMPERATURE PROFILE



- The quantity of C.FL-R-SMT-1(90) is 20,000 connectors per reel.
- Lead co-planarity shall be 0.08max.
- For the possibility of breakage or deformation, do not mate this connector with partner:C.FL-LP(P)-044 before mounting on pc board.
- Use all products within 6 months after the delivery. Store them in manufacturer's package or tightly re-closed box with the following conditions. Check the terminal solderability before Use if the product has been stored for more than 6 months.
Temperature: -10°C TO +40°C
Humidity : 15 TO 85% RH.
- Environmental conditions
Do not use the products under the environmental conditions as shown below due to possible product deterioration.
Special gas atmosphere(Hydrogen sulfide gas, Sulfur sulfide gas and Hydrogen chloride gas)
place attention required:heating system, area near hot spring, volcanic mountain and alike.
Water splashed and condensation places.
Place attention required:harsh temperature change.

HALOGEN FREE

2	BRASS	GOLD PLATING			
1	PHOSPHOR BRONZE	GOLD PLATING	3	LCP	(BLACK), UL94V-0
NO.	MATERIAL	FINISH . REMARKS	NO.	MATERIAL	FINISH . REMARKS
UNITS mm		SCALE 10:1	COUNT 3	DESCRIPTION OF REVISIONS DIS-D-00004578	DESIGNED Y.J. HAGA
HRS HIROSE ELECTRIC CO., LTD.		APPROVED : KH. IKEDA	20171125	DRAWING NO.	EDC-375224-90-00
		CHECKED : MH. TSUCHIDA	20171125	PART NO.	C.FL-R-SMT-1(90)
		DESIGNED : Y.J. HAGA	20171125	CODE NO.	CL331-2200-0-90
		DRAWN : Y.J. HAGA	20171125		