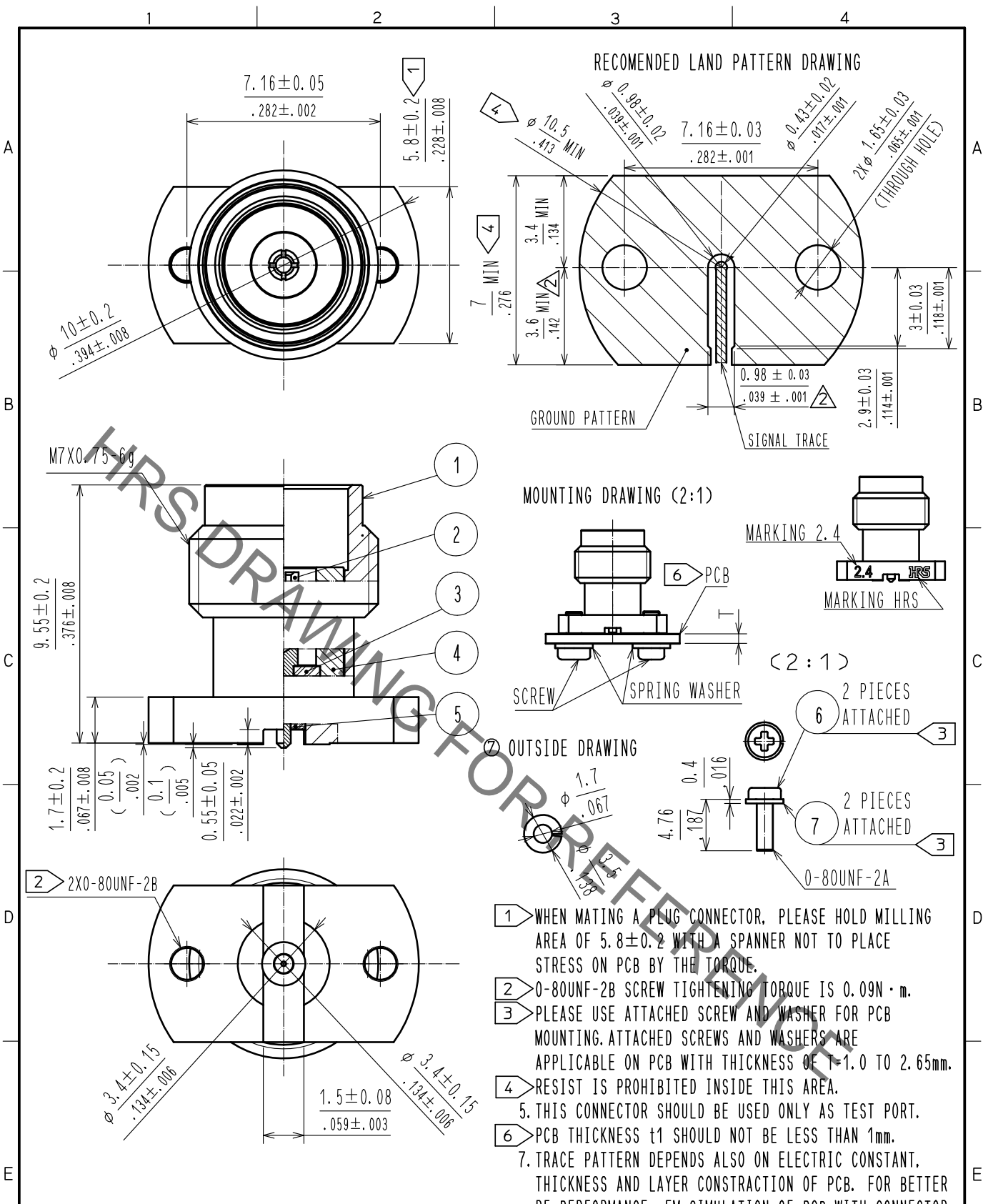


May.1.2022 Copyright 2022 HIROSE ELECTRIC CO., LTD. All Rights Reserved.
In case of consideration for using Automotive equipment / device which demand high reliability, kindly contact our sales window correspondents.



- 1 WHEN MATING A PLUG CONNECTOR, PLEASE HOLD MILLING AREA OF 5.8 ± 0.2 WITH A SPANNER NOT TO PLACE STRESS ON PCB BY THE TORQUE.
- 2 0-80UNF-2B SCREW TIGHTENING TORQUE IS $0.09N \cdot m$.
- 3 PLEASE USE ATTACHED SCREW AND WASHER FOR PCB MOUNTING. ATTACHED SCREWS AND WASHERS ARE APPLICABLE ON PCB WITH THICKNESS OF 1-1.0 TO 2.65mm.
- 4 RESIST IS PROHIBITED INSIDE THIS AREA.
- 5 THIS CONNECTOR SHOULD BE USED ONLY AS TEST PORT.
- 6 PCB THICKNESS t_1 SHOULD NOT BE LESS THAN 1mm.
- 7 TRACE PATTERN DEPENDS ALSO ON ELECTRIC CONSTANT, THICKNESS AND LAYER CONSTRUCTION OF PCB. FOR BETTER RF PERFORMANCE, EM SIMULATION OF PCB WITH CONNECTOR IS RECOMMENDED.

4	STAINLESS STEEL	PASSIVATED		7	STAINLESS STEEL	SPRING WASHER	
3	PTFE			6	STEEL	0-80UNF-2A SCREW	
2	BERYLLIUM COPPER	GOLD PLATING		5	PEI		
1	STAINLESS STEEL	GOLD PLATING					
NO.	MATERIAL	FINISH	REMARKS	NO.	MATERIAL	FINISH	REMARKS

UNITS mm / inch		SCALE 5 : 1	COUNT 2	DESCRIPTION OF REVISIONS DIS-D-00006614	DESIGNED MS. MATSUMOTO	CHECKED AH. MARUYAMA	DATE 20210218
HIROSE ELECTRIC CO., LTD.				APPROVED : TS. NOBE 20200521	DRAWING NO. EDC-374263-12-00		
				CHECKED : NK. NINOMIYA 20200521	PART NO. H2. 4-R-SR2-S<12>		
				DESIGNED : AH. MARUYAMA 20200520	CODE NO. CL0338-0605-0-12		
				DRAWN : AH. MARUYAMA 20200520	1/1		