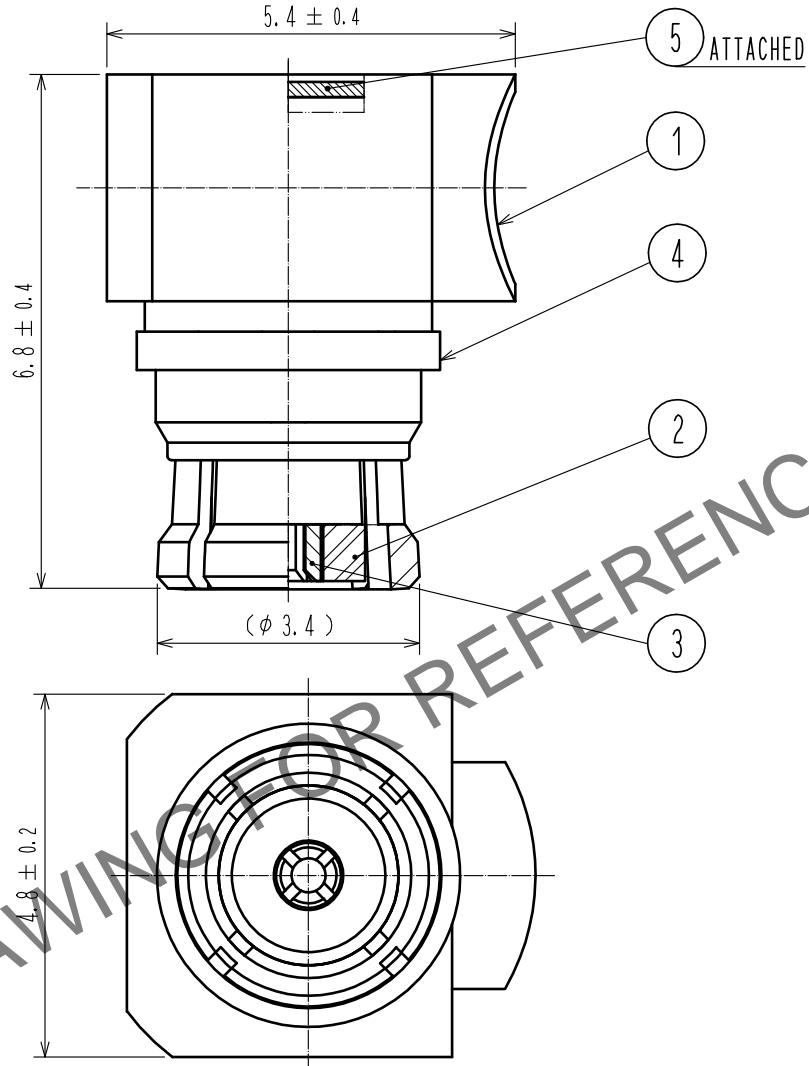


Mar.1.2025 Copyright 2025 HIROSE ELECTRIC CO., LTD. All Rights Reserved.
In case of consideration for using Automotive equipment / device which demand high reliability, kindly contact our sales window correspondents.

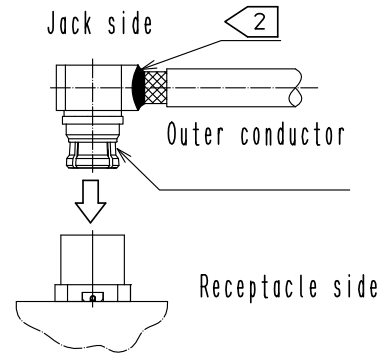
⚠ ASSEMBLE TOOL

- ① Jig for soldering center conductor and soldering outer conductor: SMP-LJ/SO-MD
- ② Jig for press fitting of cap: SMP-LJ/PR-MP (Please contact us for details)
- ③ Attachment for inspection of dimension for mating area: SMP-LJ/IN-MD
- ④ Base for inspection of dimension for mating area: SMP-LJ/IN-MD-BASE



【 USAGE PRECAUTIONS 】

- 1. Please insert or extract a SMP jack as perpendicularly as possible to a receptacle. If aligned insertion or extraction is not performed, it could damage or deform an outer conductor part of the jack.
- 2. Semi-flexible cable is made solder connection with a connector. If excess load on the soldered section is applied, it could damage or deform the section. Please handle it with care.



3	BERYLIUM COPPER	GOLD PLATING						
2	PTFE		5	BRASS	NICKEL PLATING			
1	BERYLIUM COPPER	GOLD PLATING	4	BRASS	GOLD PLATING			
NO.	MATERIAL	FINISH .	REMARKS	NO.	MATERIAL	FINISH .	REMARKS	
UNITS mm		SCALE 10: 1	COUNT 1	DESCRIPTION OF REVISIONS DIS-D-00005251		DESIGNED TM. YOSHIDA	CHECKED TO. KATAYAMA	DATE 20200918
HIROSE ELECTRIC CO., LTD.		APPROVED : TO. KATAYAMA 20180605		DRAWING NO. EDC-373428-00-00				
		CHECKED : KY. SHIMIZU 20180605		PART NO. SMP-LJ-SF085				
		DESIGNED : TM. YOSHIDA 20180605		CODE NO. CL338-1101-0-00				
		DRAWN : TM. YOSHIDA 20180605						