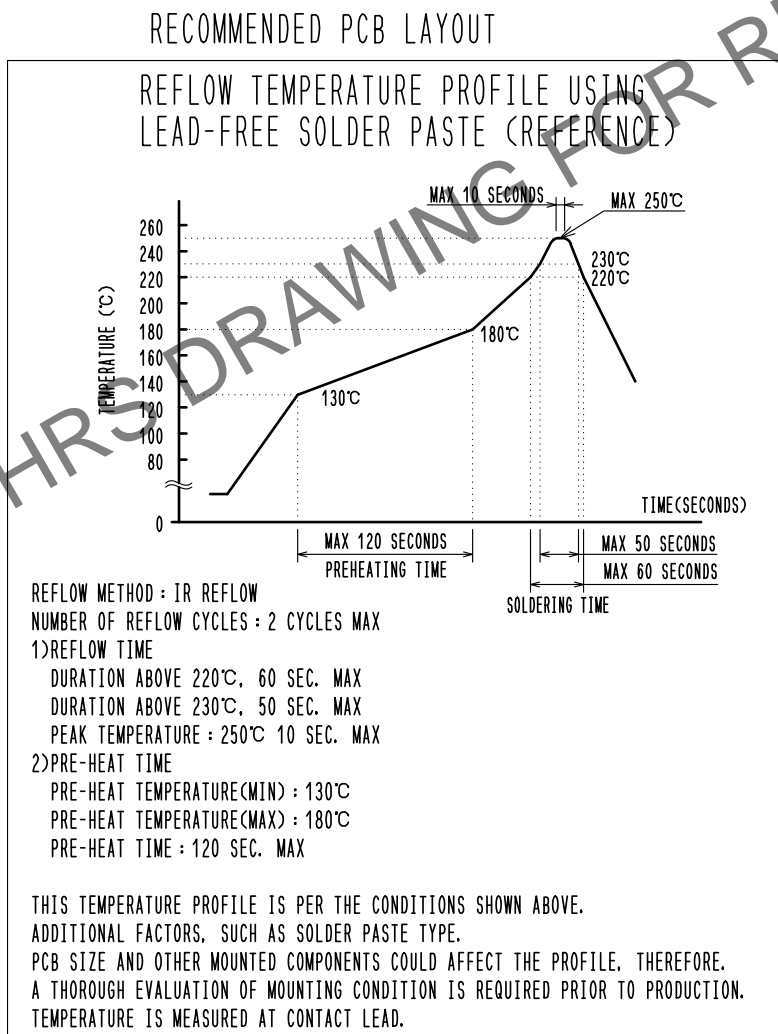
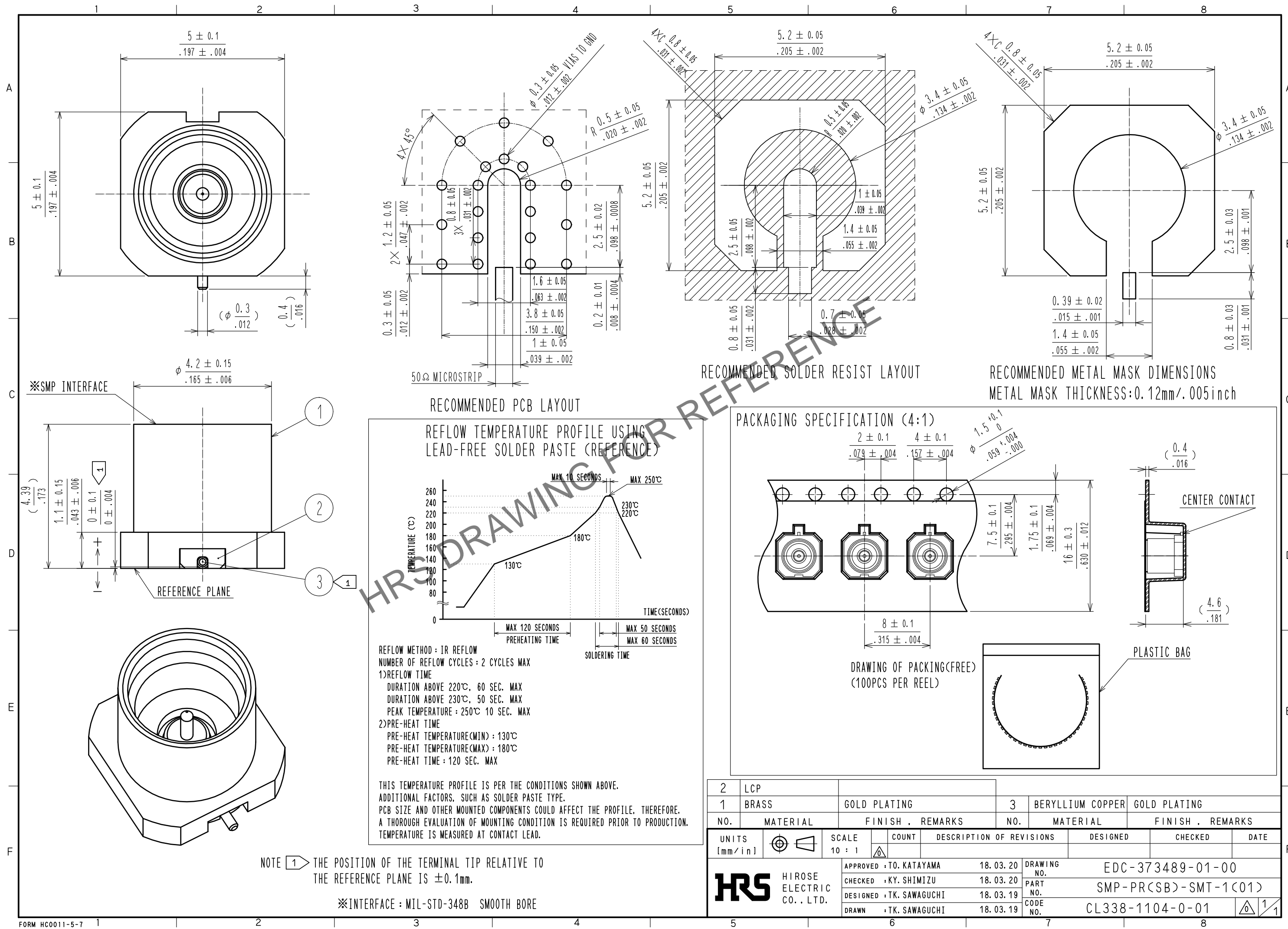
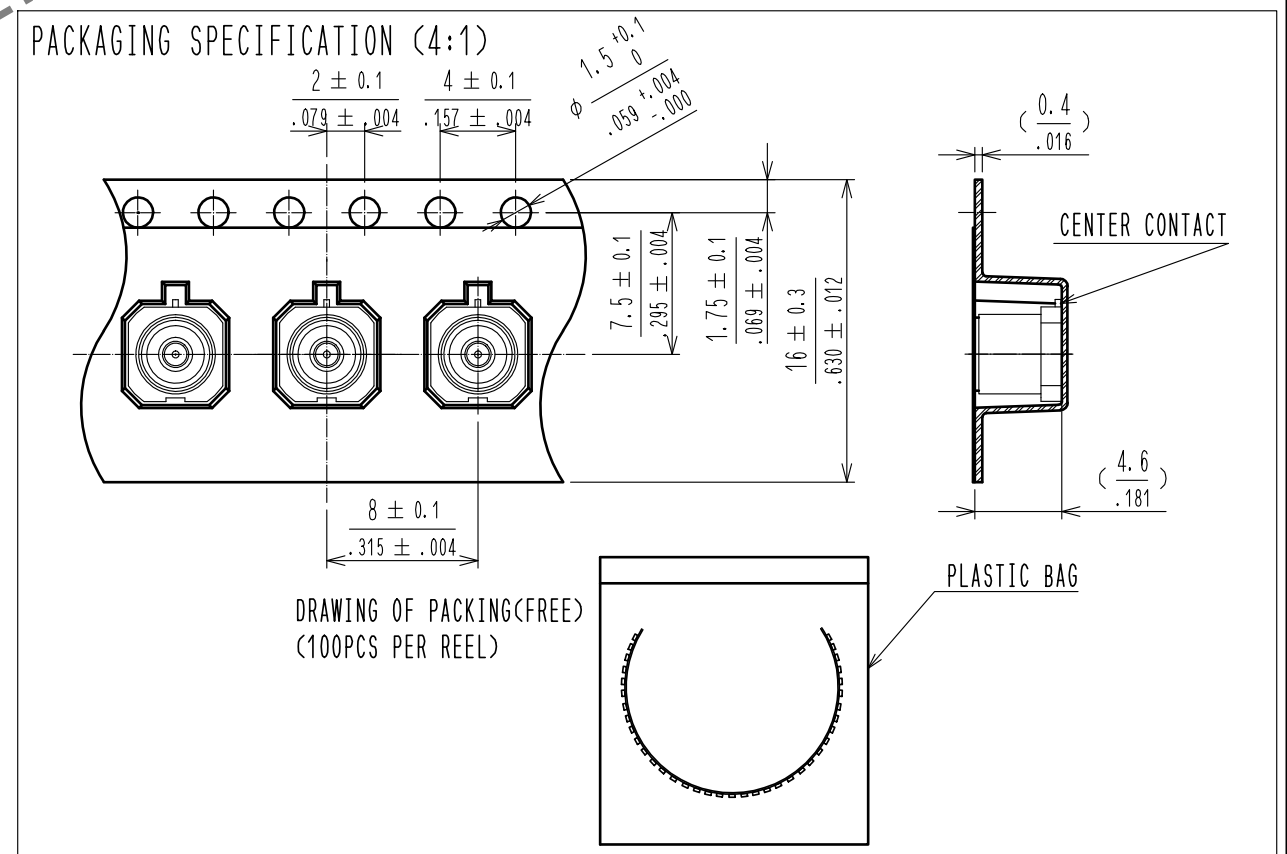


Feb.1.2025 Copyright 2025 HIROSE ELECTRIC CO., LTD. All Rights Reserved.
In case of consideration for using Automotive equipment / device which demand high reliability, kindly contact our sales window correspondents.



RECOMMENDED SOLDER RESIST LAYOUT

RECOMMENDED METAL MASK DIMENSIONS
 METAL MASK THICKNESS:0.12mm/.005inch



NOTE 1 THE POSITION OF THE TERMINAL TIP RELATIVE TO THE REFERENCE PLANE IS ±0.1mm.

※INTERFACE : MIL-STD-348B SMOOTH BORE

2	LCP			3	BERYLLIUM COPPER	GOLD PLATING		
1	BRASS	GOLD PLATING						
NO.	MATERIAL	FINISH	REMARKS	NO.	MATERIAL	FINISH	REMARKS	
UNITS [mm/in]		SCALE 10:1	COUNT	DESCRIPTION OF REVISIONS		DESIGNED	CHECKED	DATE
HRS HIROSE ELECTRIC CO., LTD.		APPROVED : TO. KATAYAMA	18.03.20	DRAWING NO. EDC-373489-01-00				
		CHECKED : KY. SHIMIZU	18.03.20	PART NO. SMP-PR(SB)-SMT-1(C01)				
		DESIGNED : TK. SAWAGUCHI	18.03.19	CODE NO. CL338-1104-0-01				
		DRAWN : TK. SAWAGUCHI	18.03.19					