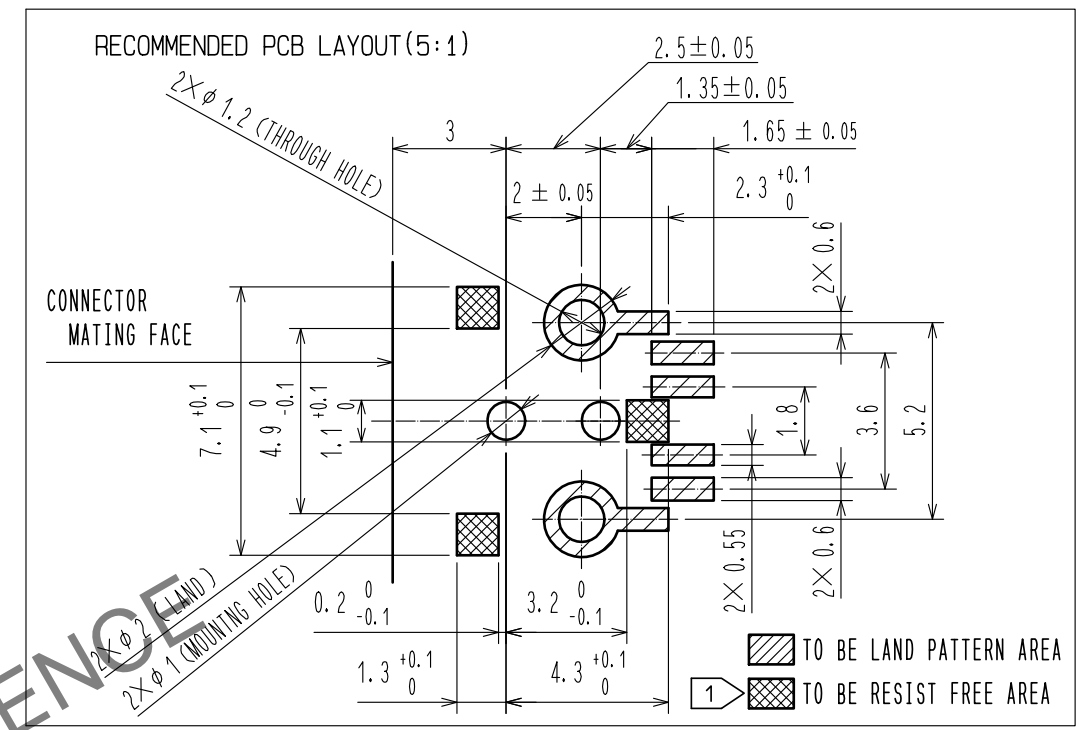
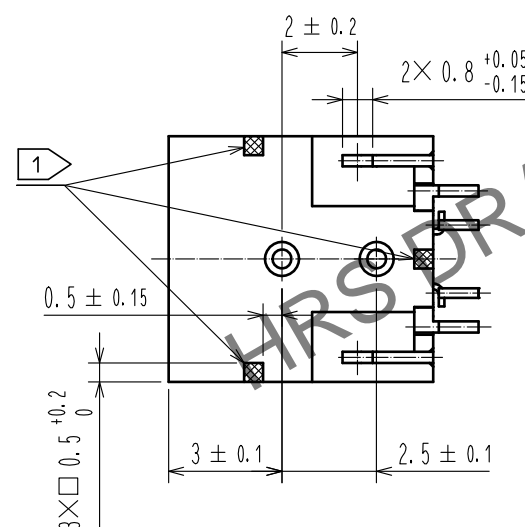
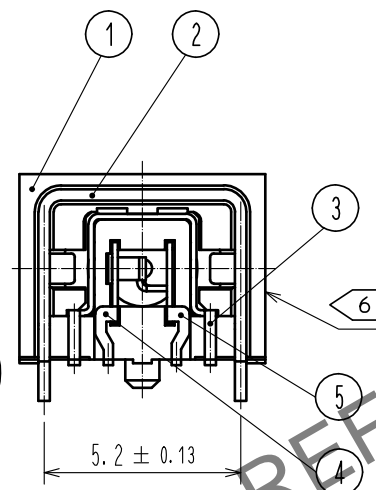
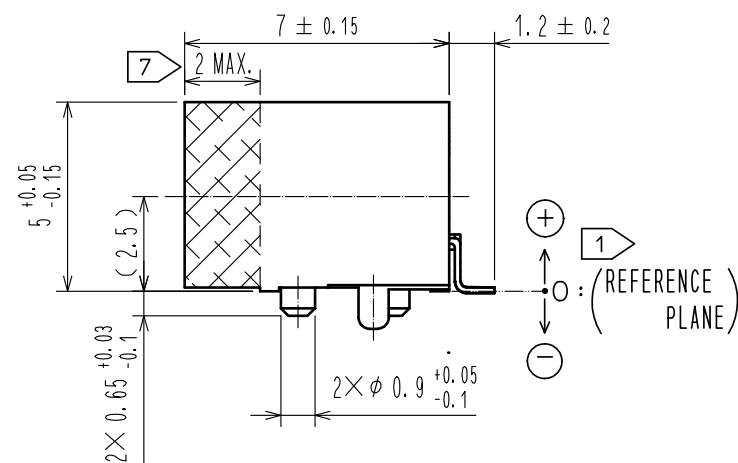
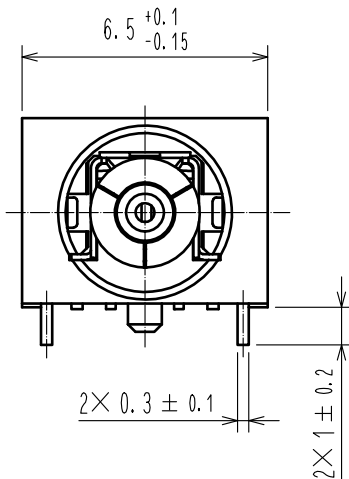
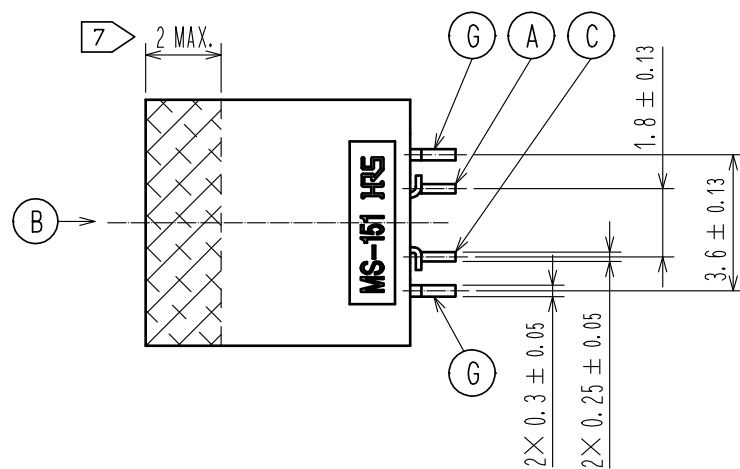
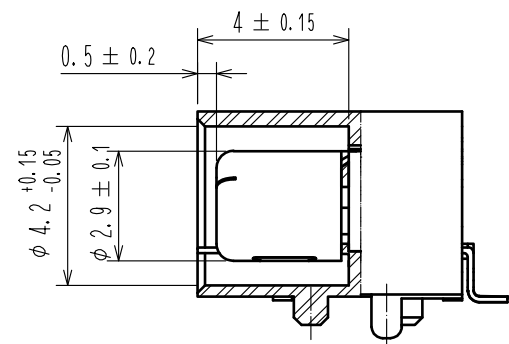


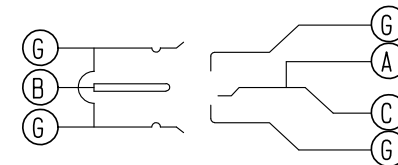
Apr.1.2025 Copyright 2025 HIROSE ELECTRIC CO., LTD. All Rights Reserved.
 In case of consideration for using Automotive equipment / device which demand high reliability, kindly contact our sales window correspondents.

MATING FACE DIMENSIONS

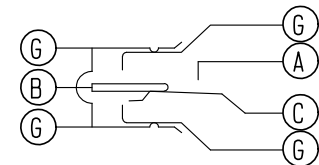


- NOTE 1: IS REFERENCE PLANE FOR PCB MOUNTING. SMT READ COPLANARITY SHALL BE $-0.05^{+0.03}_{-0.07}$ FOR REFERENCE PLANE.
 2. USE THIS PRODUCT WITH MS-151-C(LP) AND EQUIVALENT CONTACT MATED.
 3. COAXIAL SWITCH CIRCUIT SHALL BE AS FOLLOWS.

STATE OF CONTACT NONMATED (N.C.:NORMAL CLOSE)

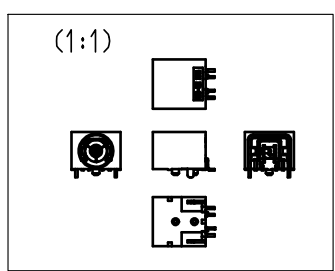
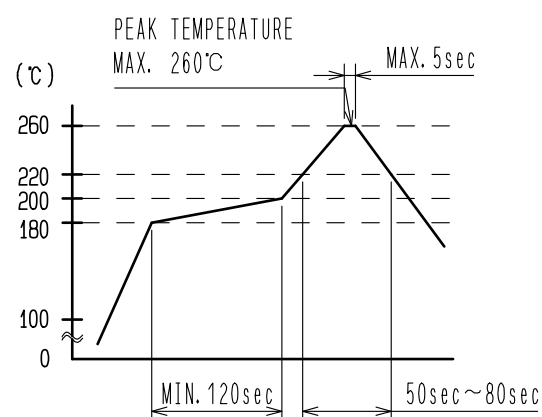


STATE OF CONTACT MATED (N.O.:NORMAL OPEN)



4. THIS PRODUCT IS IMPOSSIBLE TO WASH.
 5. USE 0.15mm THICK METAL MASK.
 6. LOT NO. IS MARKED ON THE SPECIFIED SURFACE.
 7. FIX THE CONNECTOR WITH DEVICE CHASSIS AT THE AREA WITHIN 2mm FROM THE OPENING.

SPECIFIED REFLOW TEMPERATURE PROFILE FOR LEAD-FREE SOLDER

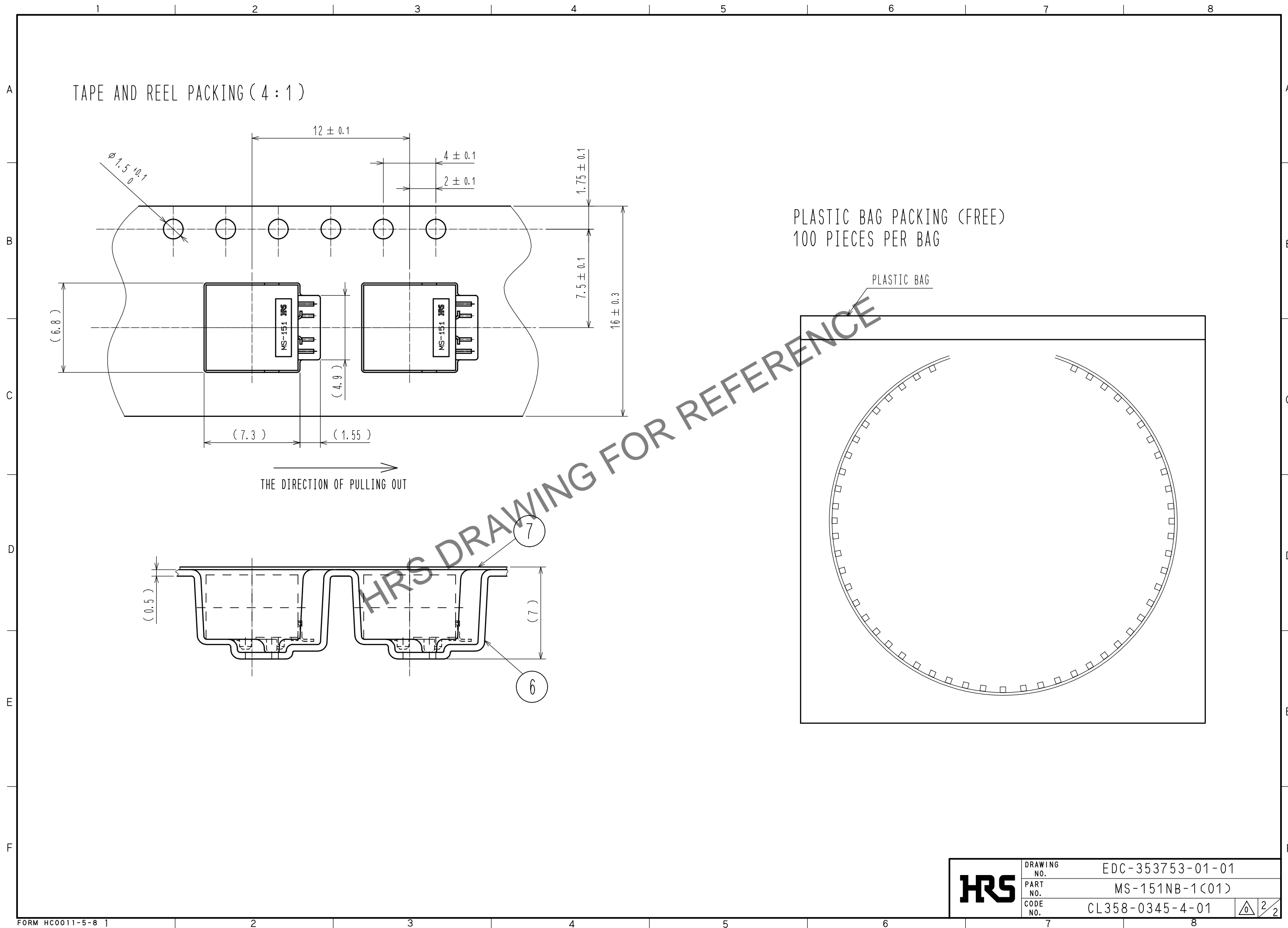


RoHS COMPLIANT

HALOGEN FREE COMPLIANT

| 3 | PHOSPHOR BRONZE | SELECTIVE GOLD PLATING | 7 | PET | | | | |
|-------|-----------------|---------------------------|----------|------------------|--------------------------|------------------------------|---------|------|
| 2 | STAINLESS STEEL | SELECTIVE GOLD PLATING | 6 | PS | | | | |
| 1 | PA-M | | 5 | PHOSPHOR BRONZE | SELECTIVE GOLD PLATING | | | |
| | | | 4 | BERYLLIUM COPPER | SELECTIVE GOLD PLATING | | | |
| NO. | MATERIAL | FINISH . REMARKS | NO. | MATERIAL | FINISH . REMARKS | | | |
| UNITS | mm | SCALE | 5 : 1 | COUNT | DESCRIPTION OF REVISIONS | DESIGNED | CHECKED | DATE |
| HRS | | HIROSE ELECTRIC CO., LTD. | APPROVED | : KH. IKEDA | 15. 08. 03 | DRAWING NO. EDC-353753-01-01 | | |
| | | | CHECKED | : NK. NINOMIYA | 15. 08. 03 | PART NO. MS-151NB-1(01) | | |
| | | | DESIGNED | : RO. FURUYAMA | 15. 08. 03 | CODE NO. CL358-0345-4-01 | | |
| | | | DRAWN | : RO. FURUYAMA | 15. 08. 03 | 1/2 | | |

Apr.1.2025 Copyright 2025 HIROSE ELECTRIC CO., LTD. All Rights Reserved.
In case of consideration for using Automotive equipment / device which demand high reliability, kindly contact our sales window correspondents.



| | | |
|------------|-------------|------------------|
| HRS | DRAWING NO. | EDC-353753-01-01 |
| | PART NO. | MS-151NB-1C01 |
| | CODE NO. | CL358-0345-4-01 |
| | | 2/2 |