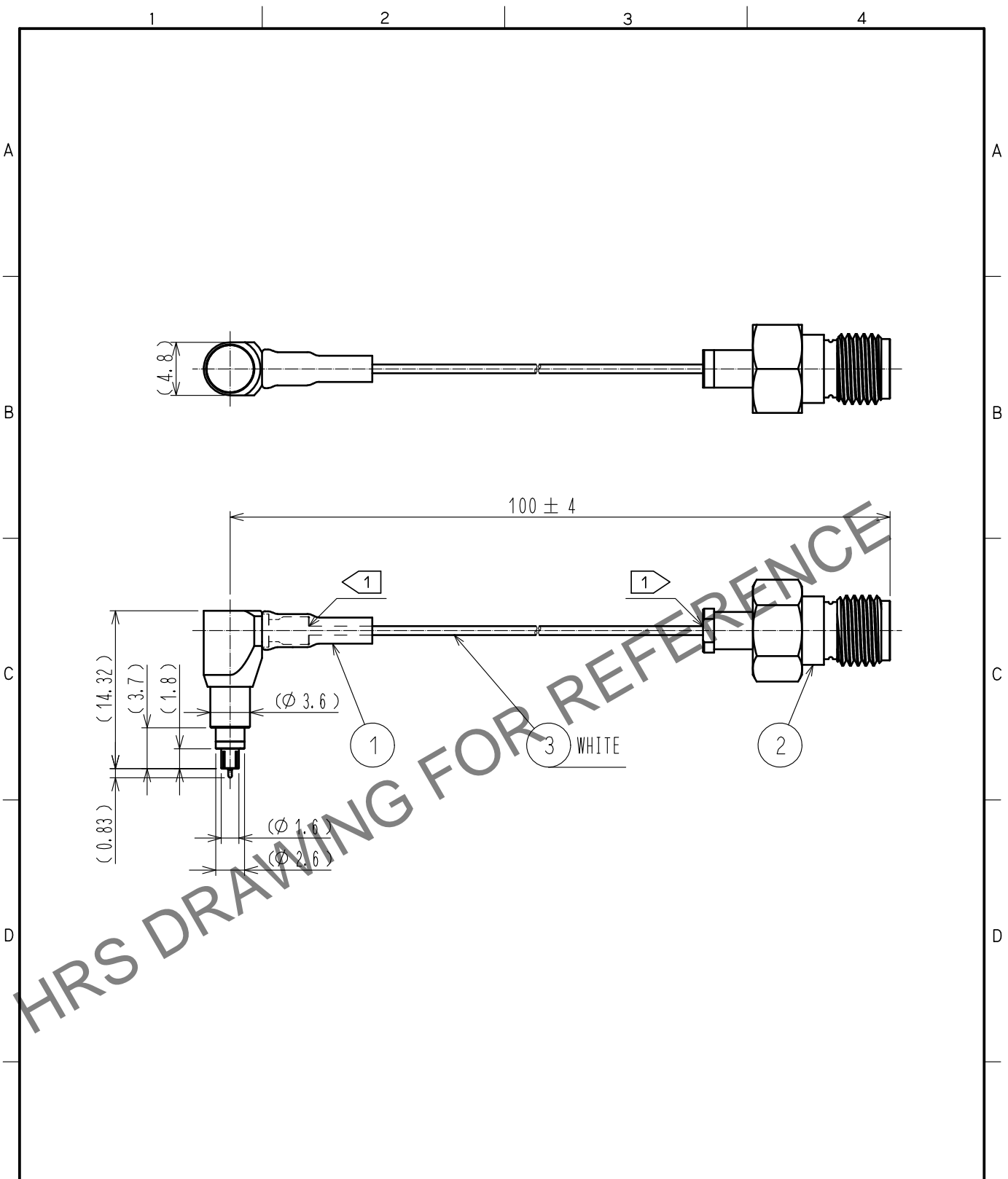


May.1.2024 Copyright 2024 HIROSE ELECTRIC CO., LTD. All Rights Reserved.
 In case of consideration for using Automotive equipment / device which demand high reliability, kindly contact our sales window correspondents.



NOTE 1 Do not apply any excessive stress to the cable assembly position.

RoHS COMPLIANT

2	HRM-200-040JBN(40)	CL323-0792-9-40			
1	MS-190-040LP-H1	CL358-0008-0-00	3	RF-MF5010(WHITE)	NISSEI ELECTRIC CO., LTD.
NO.	PART NO.	CODE NO.	NO.	PART NO.	MANUFACTURER

UNITS mm		SCALE FREE	COUNT	DESCRIPTION OF REVISIONS	DESIGNED	CHECKED	DATE
-------------	--	---------------	-------	--------------------------	----------	---------	------

HIROSE ELECTRIC CO., LTD.	APPROVED : KH. IKEDA	16. 04. 25	DRAWING NO.	EDC-369880-01-00
	CHECKED : NK. NINOMIYA	16. 04. 22	PART NO.	MS190LH1-HRMJ-040V100
	DESIGNED : RO. FURUYAMA	16. 04. 22	CODE NO.	CL362-0016-0-01
	DRAWN : RO. FURUYAMA	16. 04. 22		