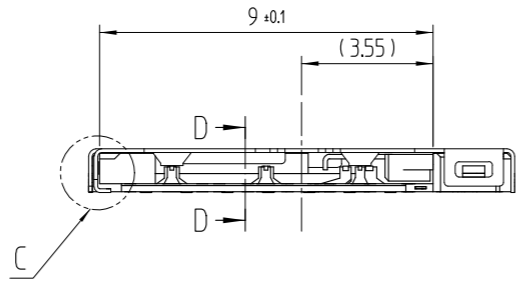
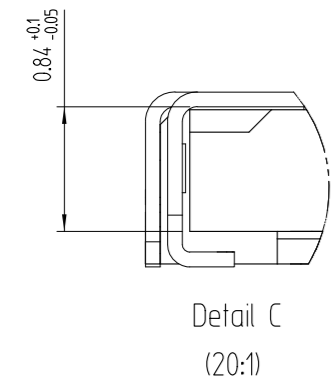
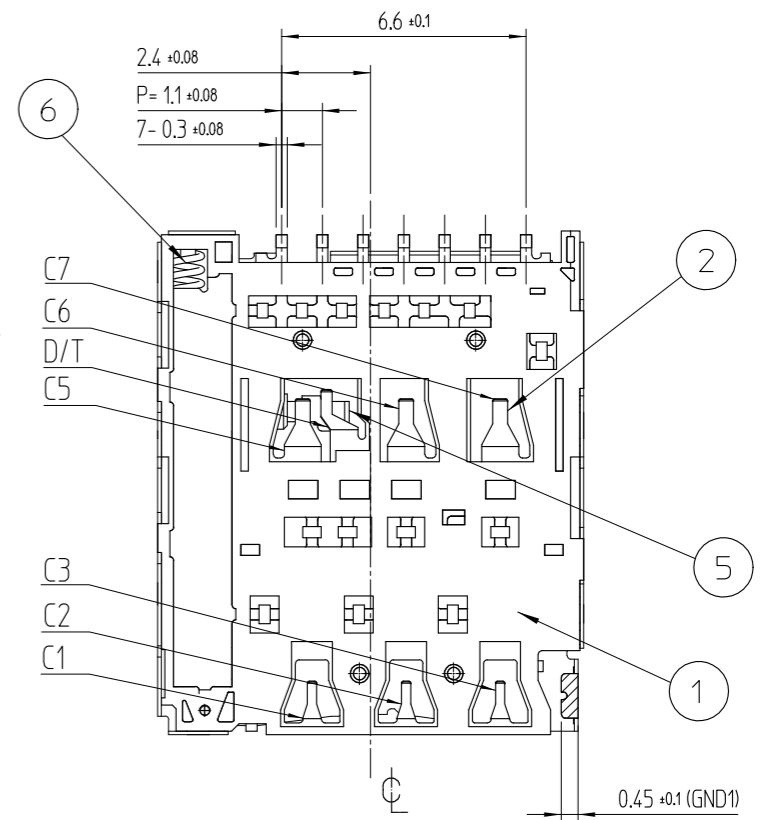
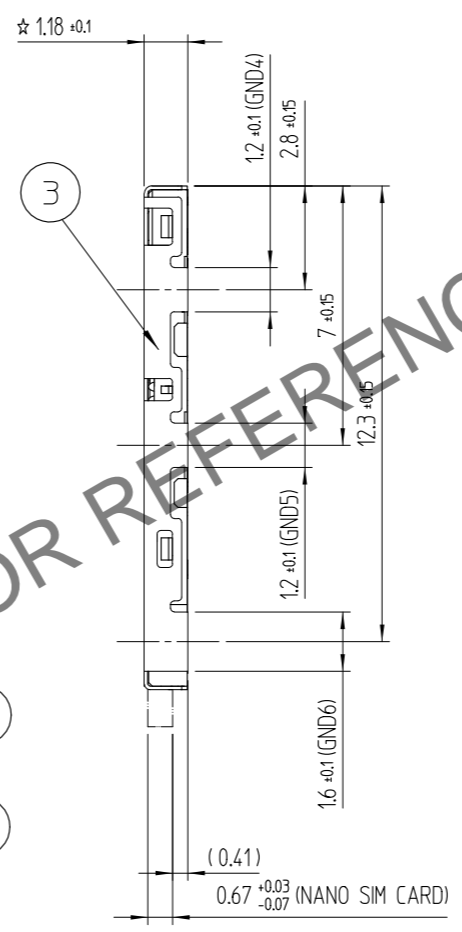
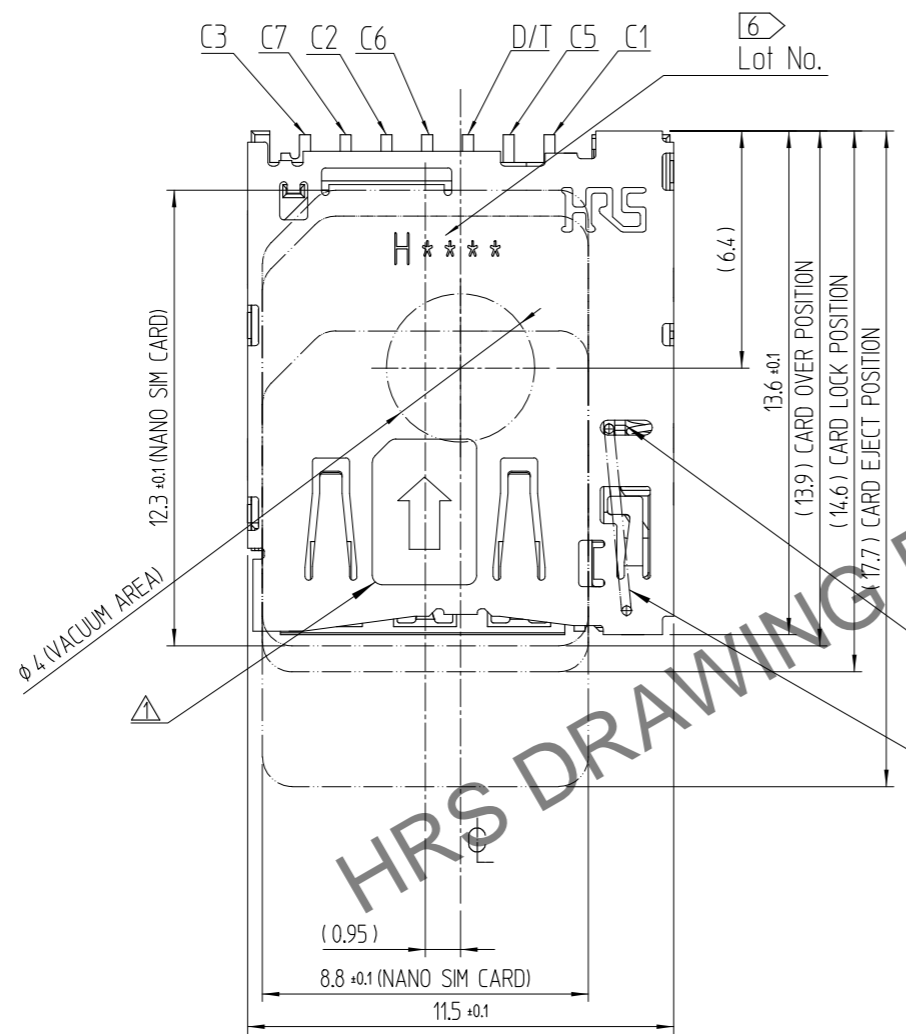
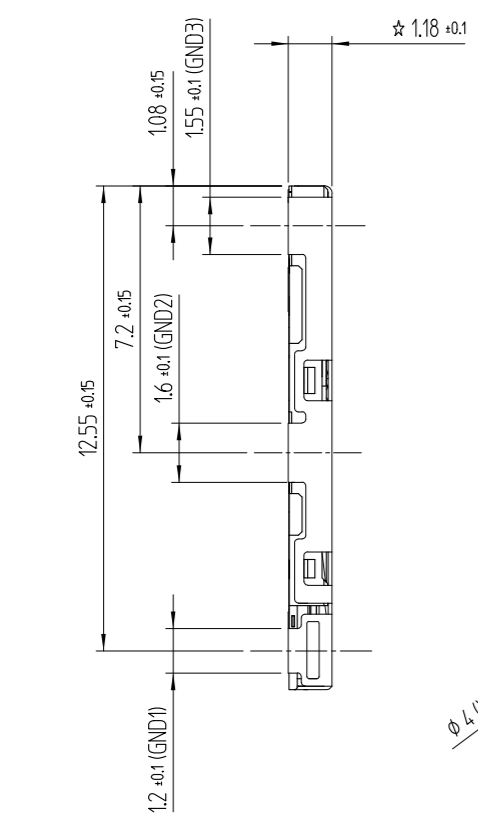


Feb.1.2025 Copyright 2025 HIROSE ELECTRIC CO., LTD. All Rights Reserved.
In case of consideration for using Automotive equipment / device which demand high reliability, kindly contact our sales window correspondents.

REFERENCE DRAWING

△數 COUNT	訂正事項 DESCRIPTION OF REVISIONS	擔當 B Y	檢圖 CHKD	年月日 DATE	△數 COUNT	訂正事項 DESCRIPTION OF REVISIONS	擔當 B Y	檢圖 CHKD	年月日 DATE
1	RE-5-1869	Y.K.G	A.B.H	18.01.15					
1	RE-5-2337	K.C.J	A.B.H	19.12.26					



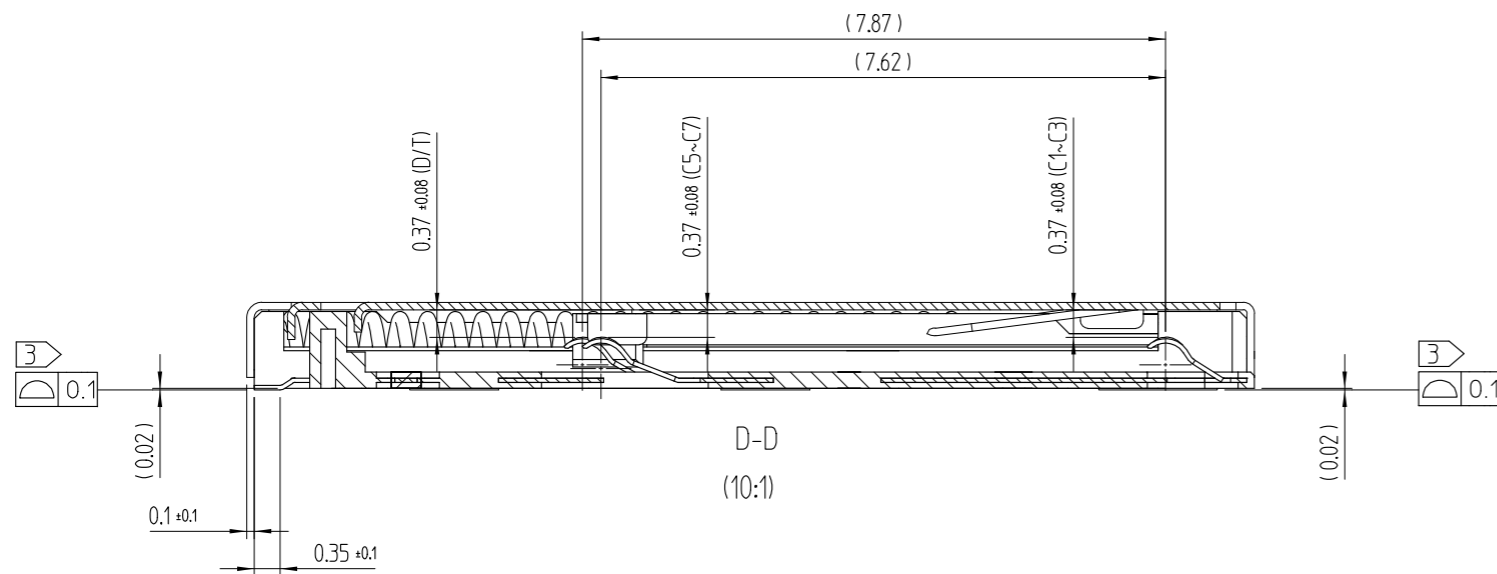
HRS DRAWING FOR REFERENCE

NO.	PART	MATERIAL	FINISH,REMARKS	NO.	PART	MATERIAL	FINISH,REMARKS
3	COVER	STAINLESS STEEL	MOUNTING: NIP + AuP	7	PIN	STAINLESS STEEL	-
2	SH-CONTACT	COPPER ALLOY	CONTACT: NIP + Pd-Ni + AuP MOUNTING: NIP + AuP	6	SPRING	STAINLESS STEEL	-
1	Ins.Base	LCP	BLACK / UL94-V0	5	EJECTOR PLATE	STAINLESS STEEL	-

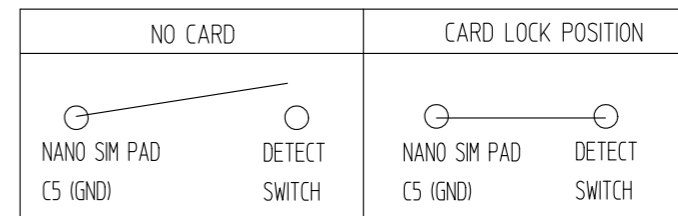
公差 TOLERANCE	公差 TOLERANCE
0	± 0.05
6	± 0.08
15	± 0.1
30	± 0.15

CODE NO. (OLD)	DRAWN	DESIGNED	CHECKED	APPROVED	RELEASED
TITLE	C.K.KIM	C.K.KIM	J.H.CHOI	H.C.SONG	ENG 22.08.09 DEPT
PUSH-PUSH SINGLE CARD SOCKET	14.12.09	14.12.09	14.12.09	14.12.09	
DRAWING NO. EDC3-631768	PART NO. KP13B-SF-PEJ(800)		CODE NO. CL 6530-0002-9-800		
SCALE 5:1	UNITS mm		1/3		

Feb.1.2025 Copyright 2025 HIROSE ELECTRIC CO., LTD. All Rights Reserved.
In case of consideration for using Automotive equipment / device which demand high reliability, kindly contact our sales window correspondents.



NOTE 1. ☆ MARK IS C.T.Q (CRITICAL TO QUALITY) POINT
2. CARD DETECTION SWITCH

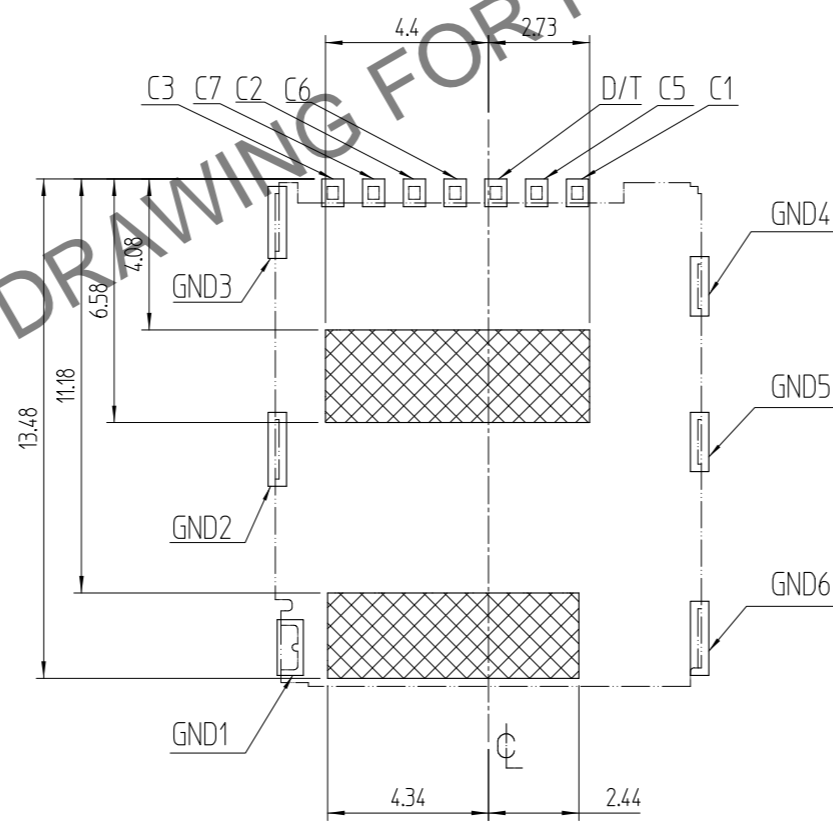
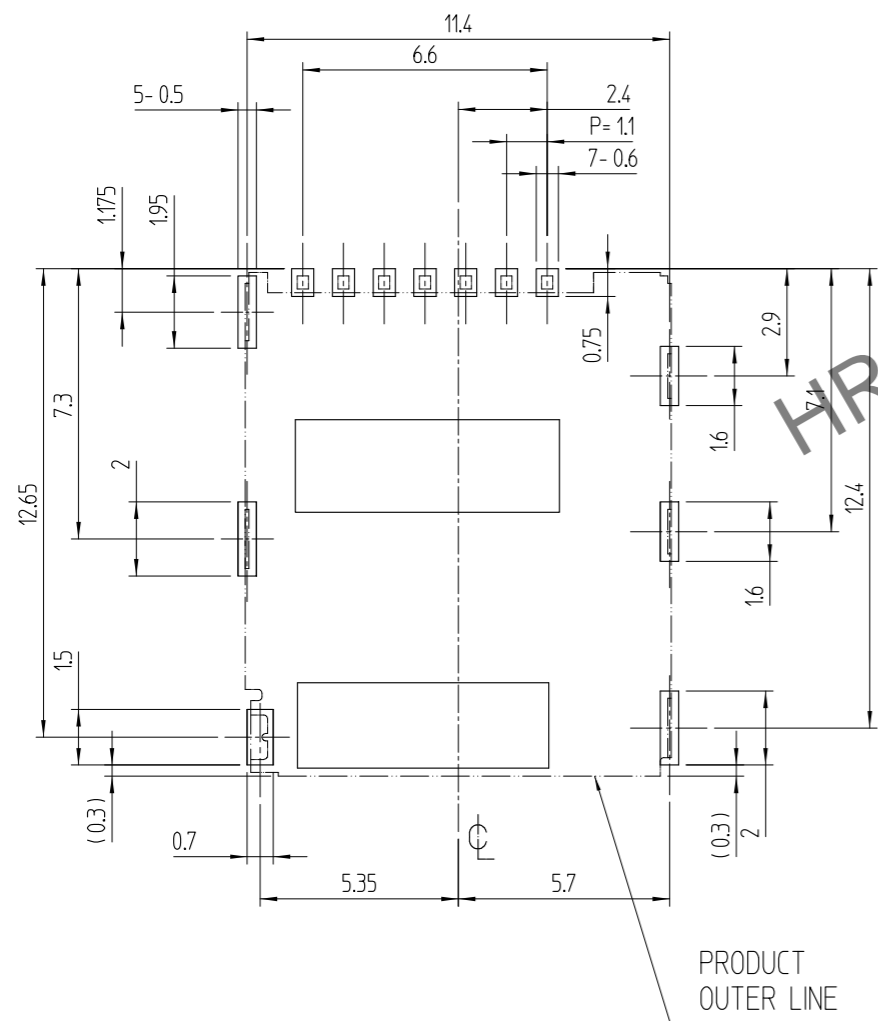


△3 CO-PLANARITY SHALL BE 0.1mm MAX

4 NO PATTERNS PERMITTED IN THIS OBLIQUE - HATCHED AREA

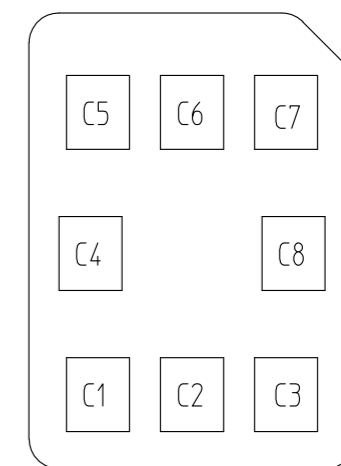
RECOMMEND P.C.B PATTERN LAYOUT (TOLERANCE : ±0.05)
RECOMMEND METAL MASK THICKNESS = 0.12mm

4 NO PATTERNS PERMITTED IN THE OBLIQUE
(TOLERANCE : ±0.1)



PIN No.	Name
C1	Vcc
C2	RST
C3	CLK
C4	Reserved
C5	GND
C6	Vpp
C7	I/O
C8	Reserved

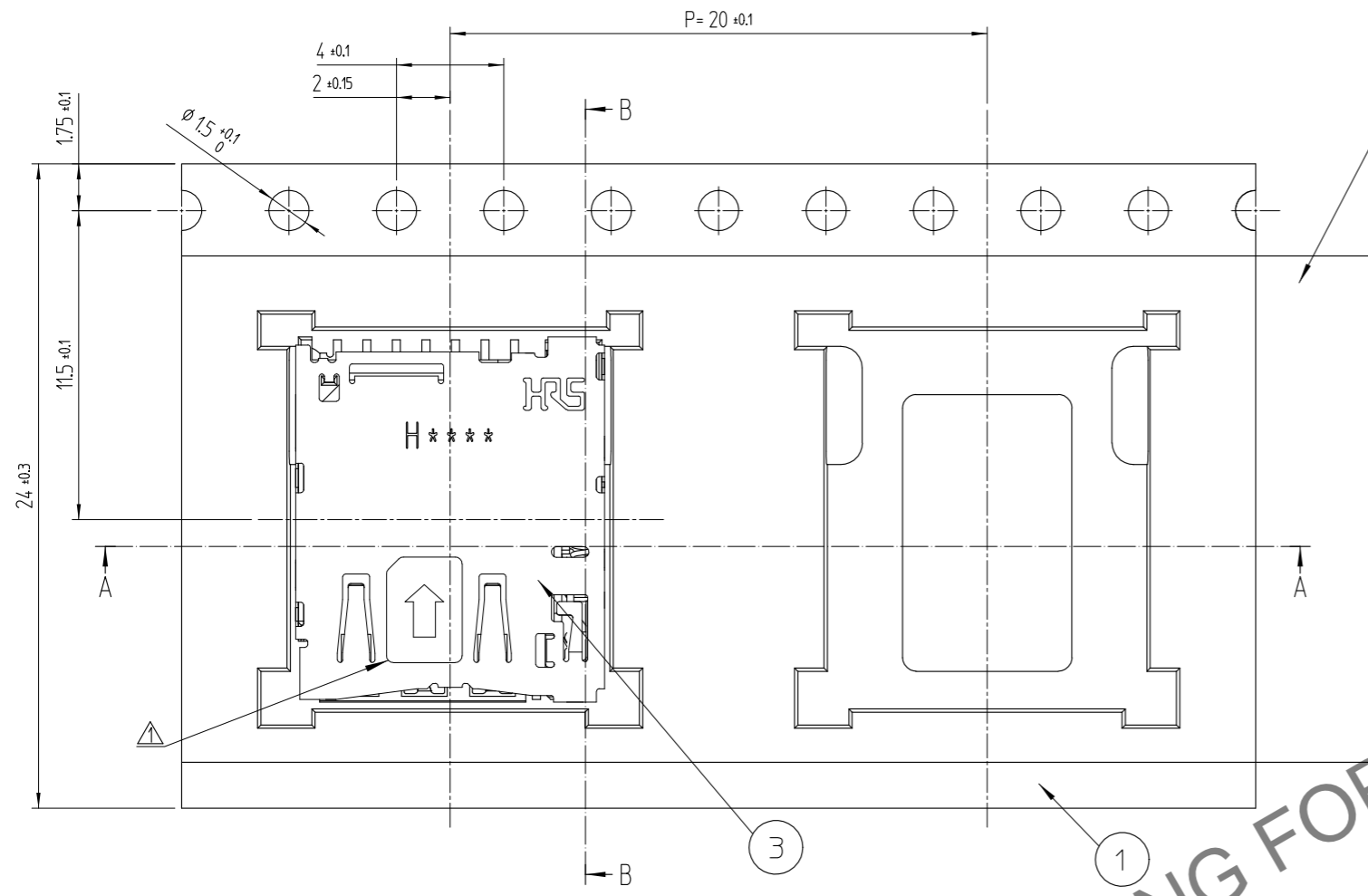
NANO SIM CARD ASSIGNMENT



NANO SIM CARD PAD LAY OUT

Feb.1.2025 Copyright 2025 HIROSE ELECTRIC CO., LTD. All Rights Reserved.
 In case of consideration for using Automotive equipment / device which demand high reliability, kindly contact our sales window correspondents.

5 DRAWING FOR PACKING

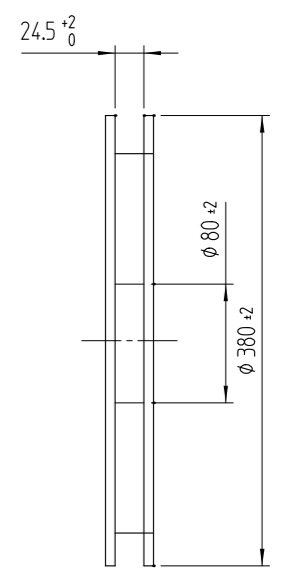
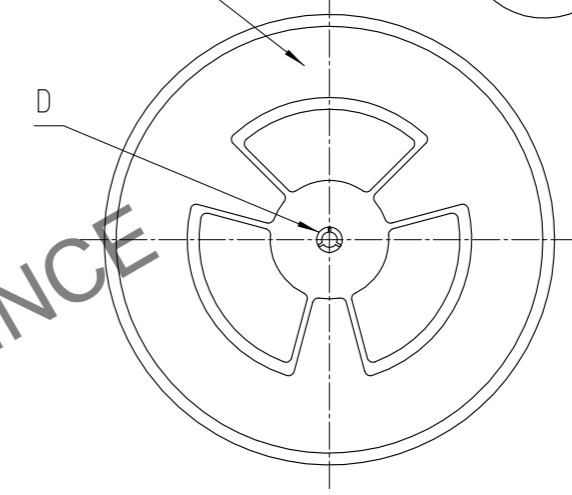


2

Detail D

DETAIL OF REEL

REVISED CONFIGURATION



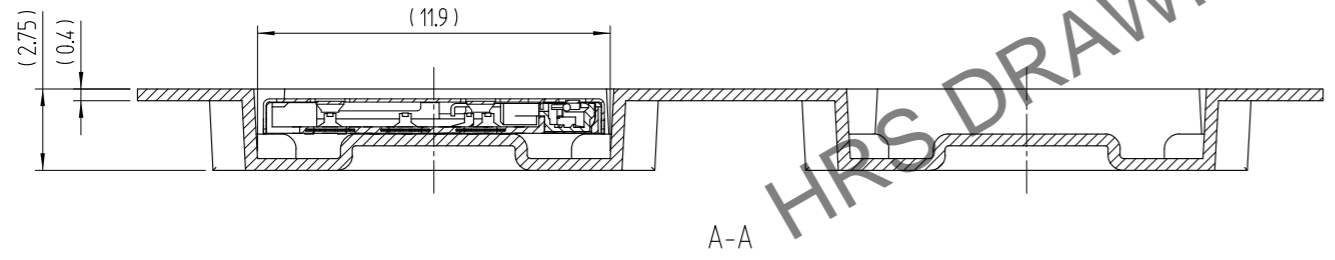
HRS DRAWING FOR REFERENCE

- 5 PACKING TYPE :TAPE AND 1500PCS PER 1REEL .
- 6 MANUFACTURING DATE SYSTEM

H 6 1 26 1(A)

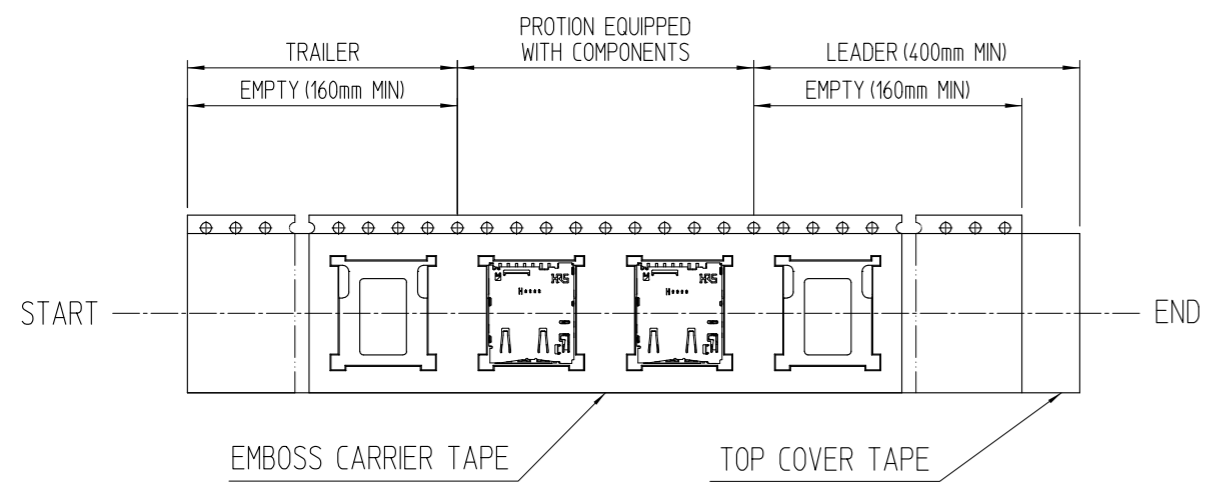
PRODUCTION LINE : LINE No.
 DATE : 26TH
 MONTH : JAN
 YEAR : 2016
 SUPPLIER : HIROSE KOREA

7 THE DIMENSIONS OF CUSTOMER DRAWING ARE INITIAL DIMENSIONS OF PRODUCT. NOT AFTER THE REFLOW.



6 TABLE.1

YEAR	SYMBOL	MONTH	SYMBOL	DATE	SYMBOL	DATE	SYMBOL	DATE	SYMBOL
2016	6	Jan.	1	1 01 11 11 21 21					
2017	7	Feb.	2	2 02 12 12 22 22					
2018	8	Mar.	3	3 03 13 13 23 23					
2019	9	Apr.	4	4 04 14 14 24 24					
2020	0	May.	5	5 05 15 15 25 25					
2021	1	Jun.	6	6 06 16 16 26 26					
2022	2	Jul.	7	7 07 17 17 27 27					
2023	3	Aug.	8	8 08 18 18 28 28					
2024	4	Sep.	9	9 09 19 19 29 29					
2025	5	Oct.	A	10 10 20 30 30					
		Nov.	B	31 31					
		Dec.	C						



3	(CONNECTOR)	
2	TOP COVER TAPE	POLYESTER
1	EMBOSS CARRIER TAPE	PS
No.	PART	MATERIAL
HRS HIROSE KOREA CO.,LTD.		圖番 DRAWING NO. EDC3-631768

3/3