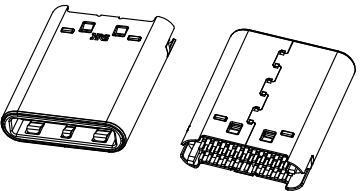
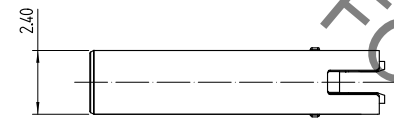
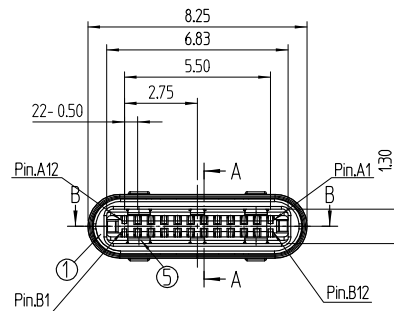
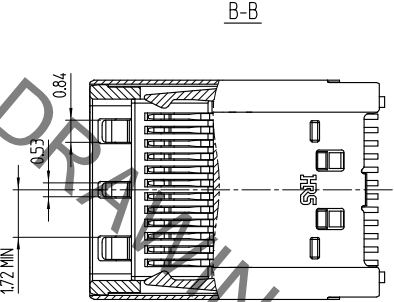
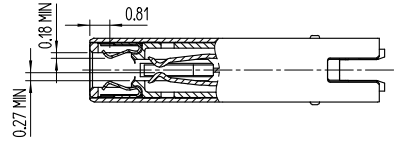
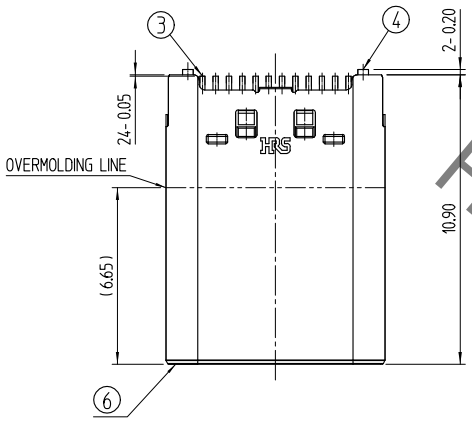


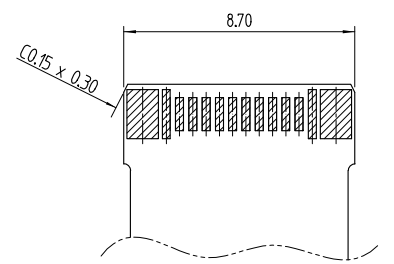
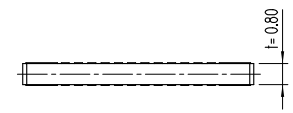
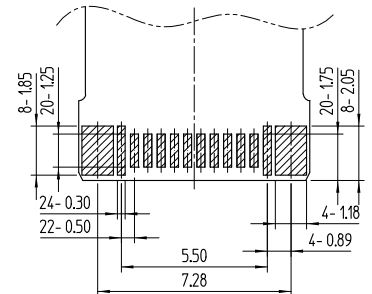
Jun.1.2021 Copyright 2021 HIROSE ELECTRIC CO., LTD. All Rights Reserved.
 use of consideration for using Automotive equipment / device which demand high reliability, kindly contact our sales window correspond

△數 COUNT	訂正事項 DESCRIPTION OF REVISIONS	擔當 B	檢圖 CHKD	年月日 DATE	△數 COUNT	訂正事項 DISCRPTION OF REVISIONS	擔當 B	檢圖 CHKD	年月日 DATE
△	- Revised	PJS	LHJ	16. 04. 15	△	- Revised	PJS	LHJ	16. 07. 25
△	- Revised	PJS	LHJ	16. 05. 12	△	- Revised	PJS	KHJ	16. 11. 11
△	- Revised	PJS	LHJ	16. 06. 16	△				

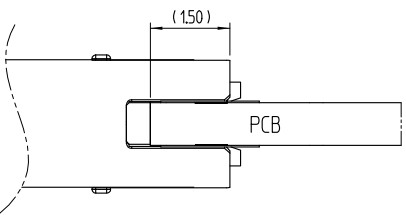


ISO-VIEW(N/S)

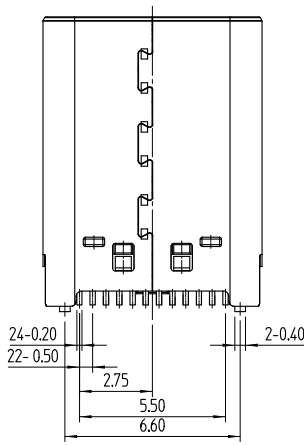
RECOMMENDED PCB LAY OUT
(General Tolerance : ±0.05)



PCB MOUNTING POSITION



(NOTE) 1 GENERAL TOLERANCE : ±0.2
2 PACKING : 150 UNIT / TRAY



USB Type-C Plug Interface(Front View)

A12	A11	A10	A9	A8	A7	A6	A5	A4	A3	A2	A1
GND	RX2+	RX2-	Vbus	SBU1	D-	D+	CC	Vbus	TX1-	TX1+	GND
GND	TX2+	TX2-	Vbus	VCONN			SBU2	Vbus	RX1-	RX1+	GND
B1	B2	B3	B4	B5	B6	B7	B8	B9	B10	B11	B12

3	COPPER ALLOY	Gold Plating	6	STAINLESS STEEL	Nickel		
2	LCP	UL94-V0, COLOR BLACK	5	STAINLESS STEEL	Nickel		
1	PA	UL94-V0, COLOR BLACK	4	STAINLESS STEEL	Nickel		
NO.	MATERIAL	FINISH,REMARKS	NO.	MATERIAL	FINISH,REMARKS		
REMARK			DRAWN	DESIGNED	CHECKED	APPROVED	RELEASED
			J.S.PARK	J.S.PARK	H.JLEE	T.S.KANG	DEPT 17.09.04 ENG
			16.04.15	16.04.15	16.04.15	16.04.15	
DRAWING NO.			PART NO.				
ADC3-631979			CX60-24S-UNIT				
SCALE			CODE NO				
5:1			CL6240-0001-9				
UNITS							
mm							

HRS DRAFTING FOR REFERENCE