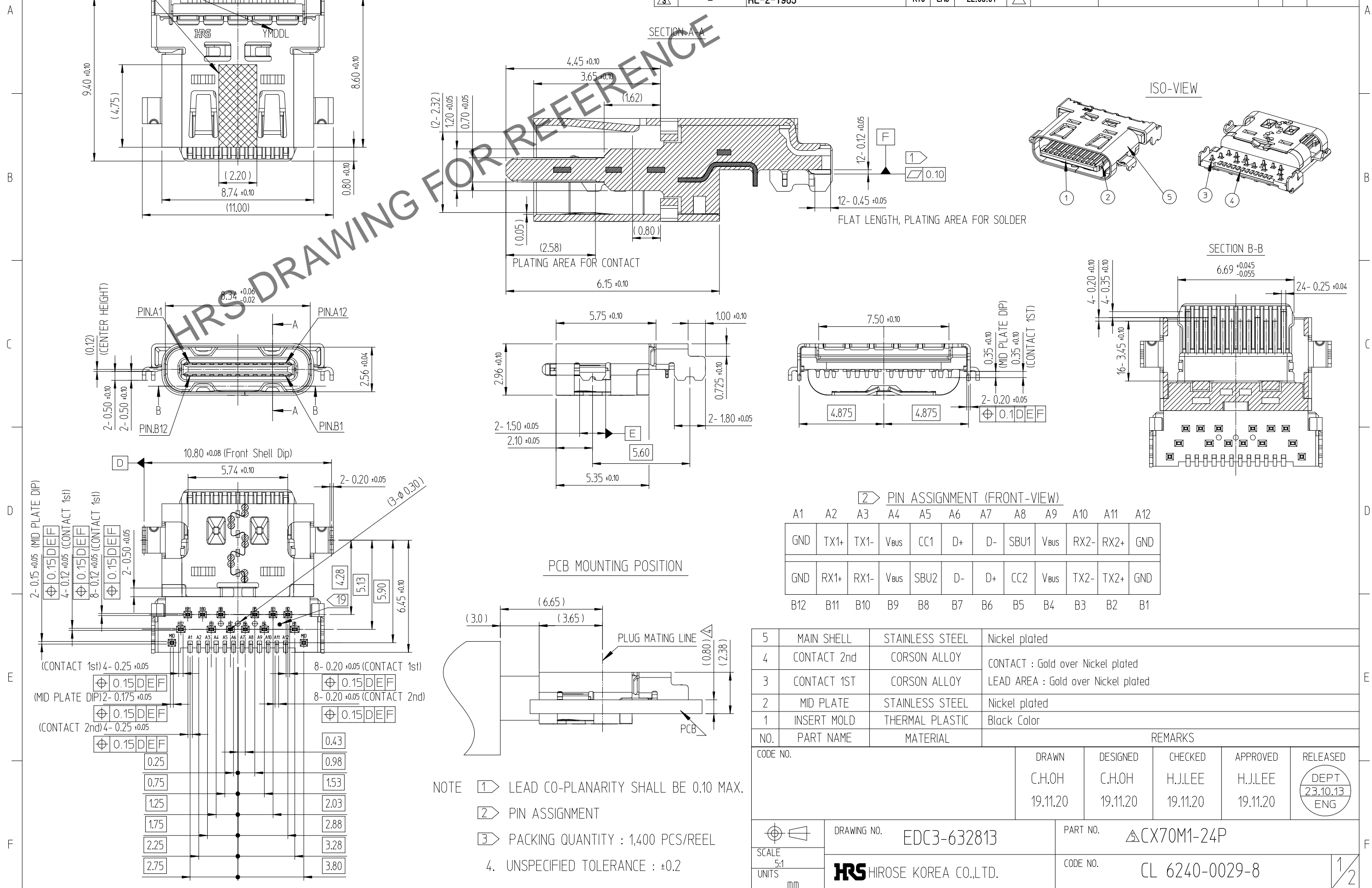


Apr.1.2025 Copyright 2025 HIROSE ELECTRIC CO., LTD. All Rights Reserved.  
In case of consideration for using Automotive equipment / device which demand high reliability, kindly contact our sales window

| 改正 REV. | 變更履歷 NO. ECA NO. | 訂正事項 DESCRIPTION OF REVISIONS | 擔當 B | 檢圖 Y | 年月日 DATE | 改正 REV. | 變更履歷 NO. ECA NO. | 訂正事項 DESCRIPTION OF REVISIONS | 擔當 B | 檢圖 Y | 年月日 DATE |
|---------|------------------|-------------------------------|------|------|----------|---------|------------------|-------------------------------|------|------|----------|
| △       | -                | RE-2-1450                     | OCH  | LHJ  | 20.04.06 | △       | 2                | RE-2-2141                     | KYJ  | LHJ  | 23.02.08 |
| △       | -                | Revised                       | KYJ  | LHJ  | 22.03.07 | △       | 2                | RE-2-2429                     | CJS  | LHJ  | 23.10.13 |
| △       | -                | RE-2-1965                     | KYJ  | LHJ  | 22.09.01 | △       |                  |                               |      |      |          |



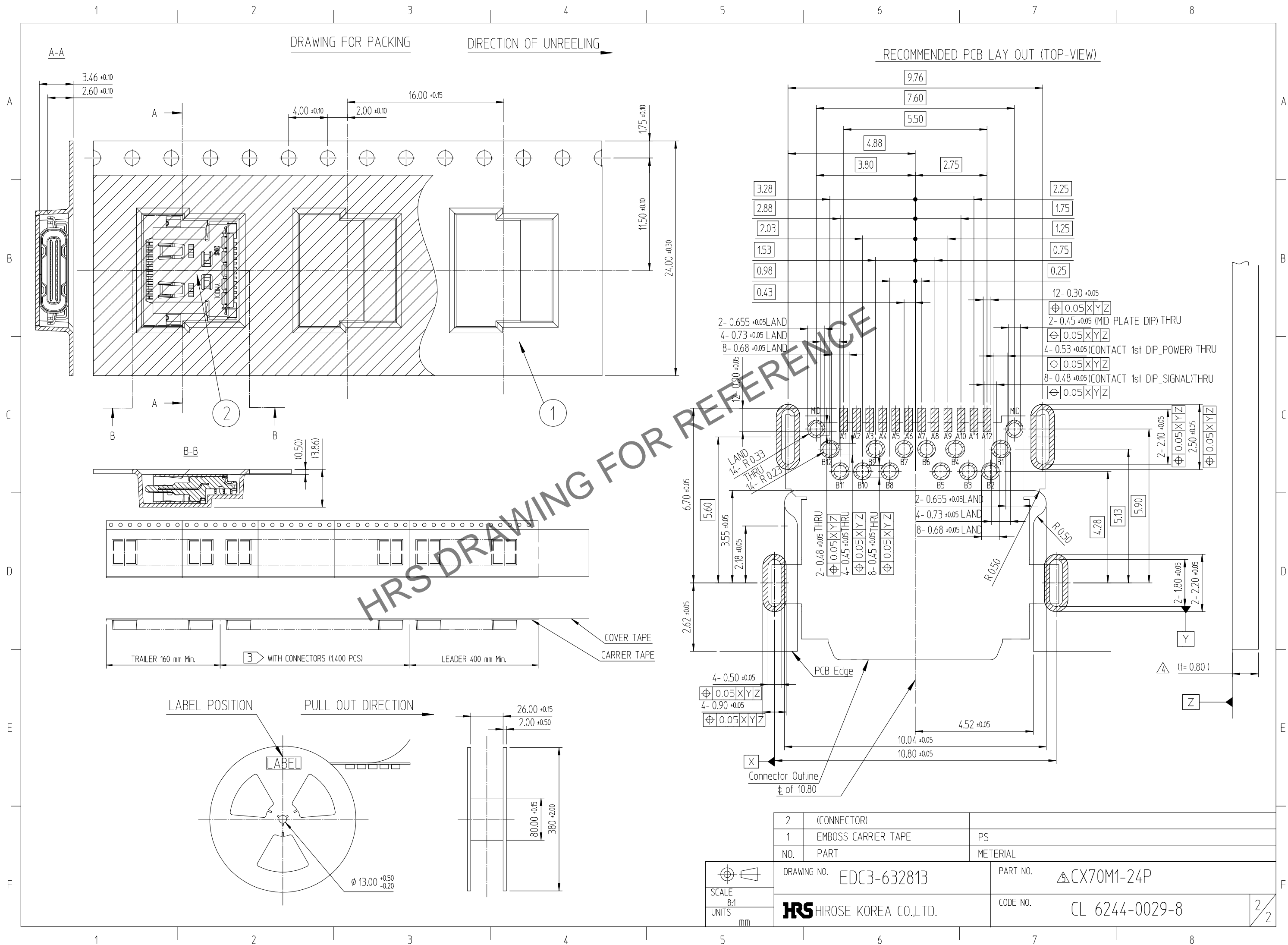
| NO. | PART NAME   | MATERIAL        | REMARKS                             |
|-----|-------------|-----------------|-------------------------------------|
| 5   | MAIN SHELL  | STAINLESS STEEL | Nickel plated                       |
| 4   | CONTACT 2nd | CORSON ALLOY    | CONTACT : Gold over Nickel plated   |
| 3   | CONTACT 1ST | CORSON ALLOY    | LEAD AREA : Gold over Nickel plated |
| 2   | MID PLATE   | STAINLESS STEEL | Nickel plated                       |
| 1   | INSERT MOLD | THERMAL PLASTIC | Black Color                         |

| CODE NO. | DRAWN  | DESIGNED | CHECKED | APPROVED | RELEASED                |
|----------|--------|----------|---------|----------|-------------------------|
|          | C.H.OH | C.H.OH   | H.J.LEE | H.J.LEE  | DEPT<br>23.10.13<br>ENG |

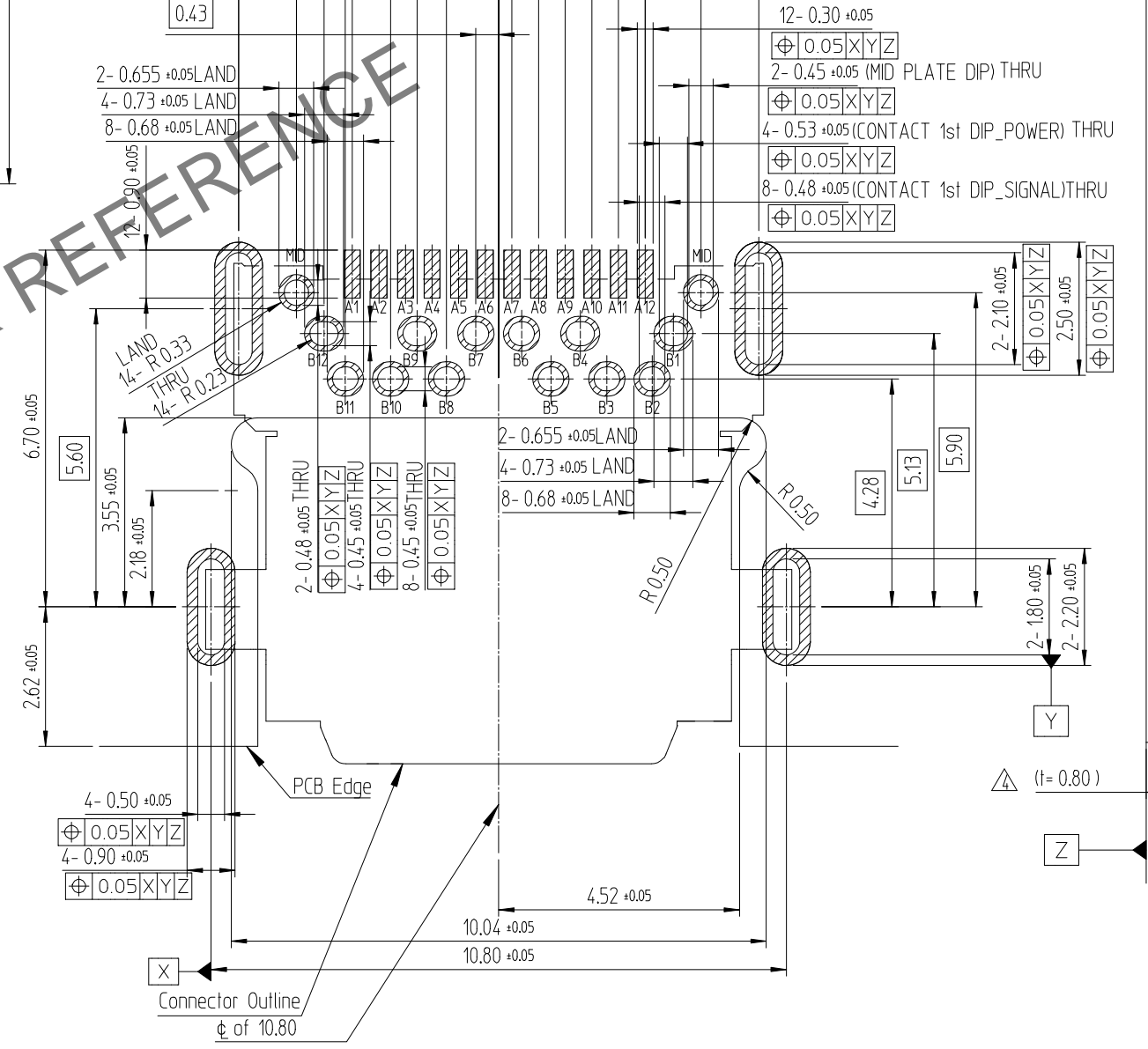
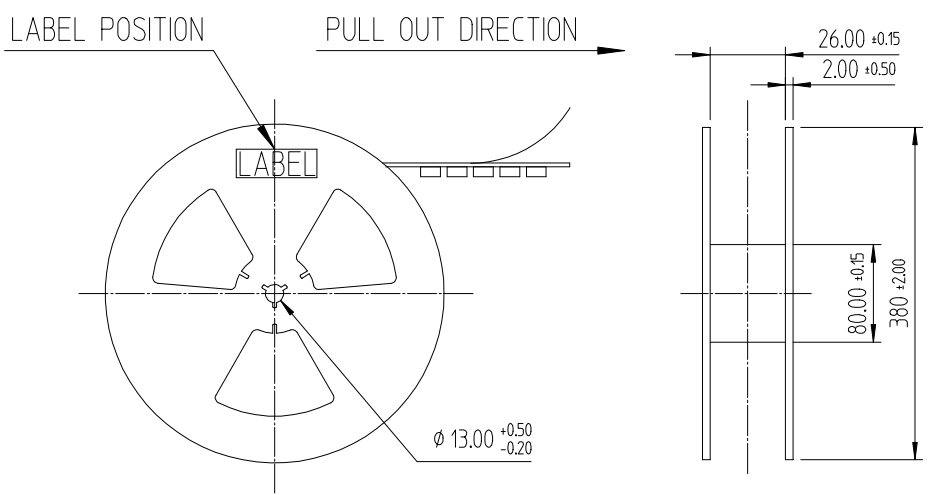
| DRAWING NO. | PART NO.    |
|-------------|-------------|
| EDC3-632813 | △CX70M1-24P |

| SCALE | UNITS | CODE NO.       |
|-------|-------|----------------|
| 5:1   | mm    | CL 6240-0029-8 |

Apr.1.2025 Copyright 2025 HIROSE ELECTRIC CO., LTD. All Rights Reserved.  
 In case of consideration for using Automotive equipment / device which demand high reliability, kindly contact our sales window correspondents.



TRAILER 160 mm Min. WITH CONNECTORS (1,400 PCS) LEADER 400 mm Min. COVER TAPE CARRIER TAPE



|                           |                     |                         |
|---------------------------|---------------------|-------------------------|
| 2                         | (CONNECTOR)         |                         |
| 1                         | EMBOSS CARRIER TAPE | PS                      |
| NO.                       | PART                | METERIAL                |
| DRAWING NO. EDC3-632813   |                     | PART NO. CX70M1-24P     |
| HRS HIROSE KOREA CO.,LTD. |                     | CODE NO. CL 6244-0029-8 |

SCALE 8:1  
 UNITS mm