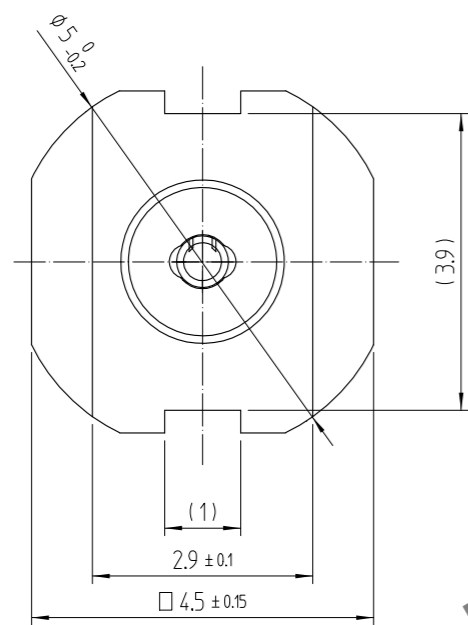
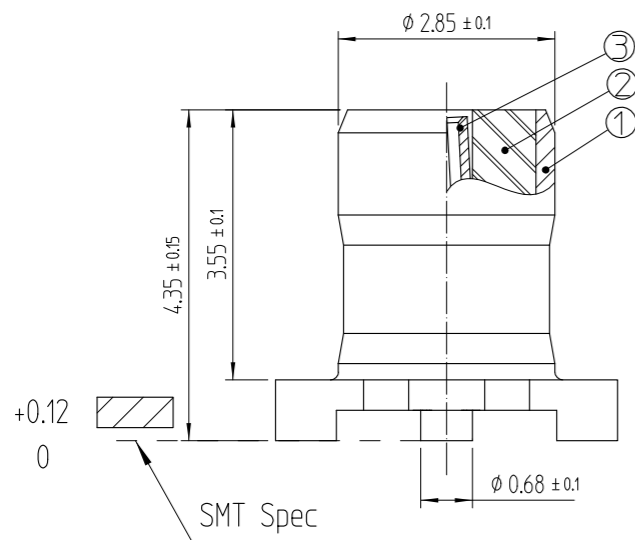
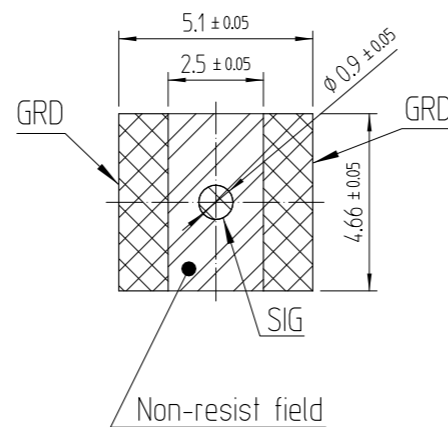


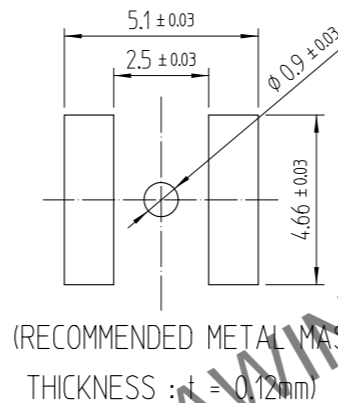
Jun.1.2024 Copyright 2024 HIROSE ELECTRIC CO., LTD. All Rights Reserved.  
In case of consideration for using Automotive equipment / device which demand high reliability, kindly contact our sales window correspondents.



RECOMMENDED PC BOARD  
PATTERN DRAWING(5:1)

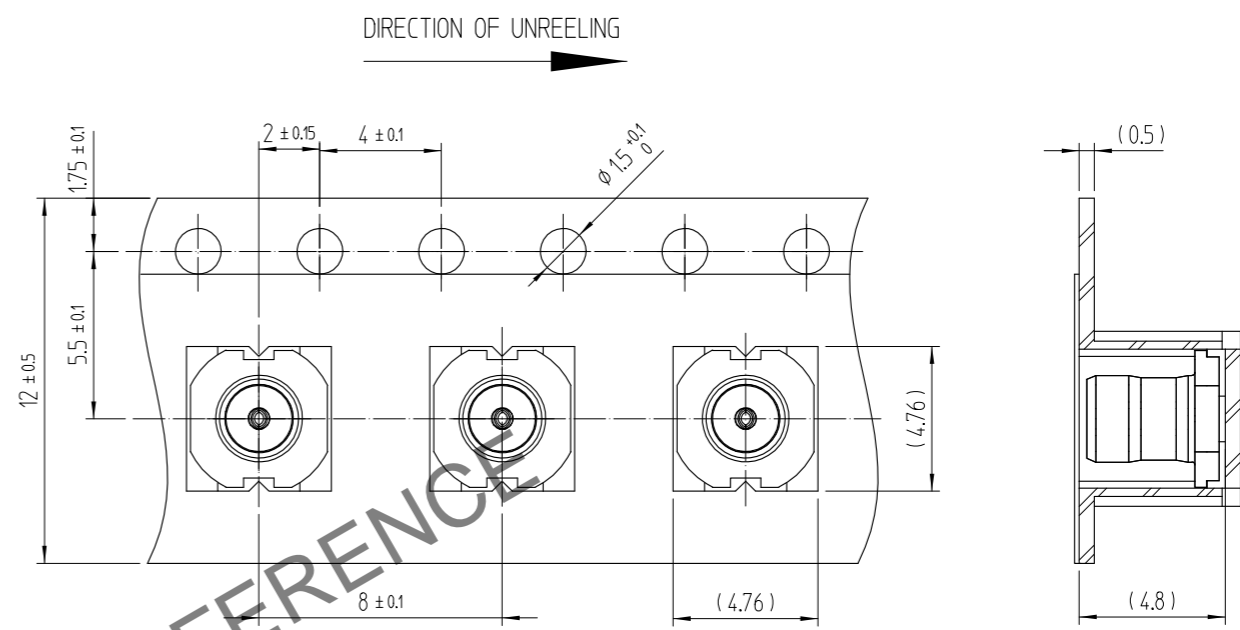


RECOMMENDED METAL MASK  
DRAWING(5:1)

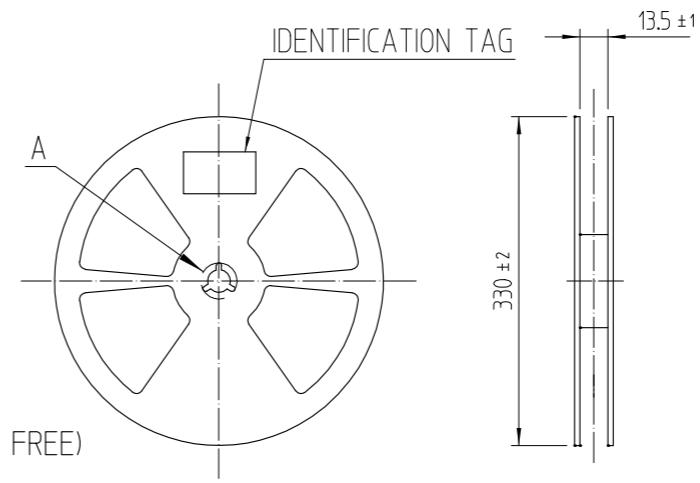


| COUNT | DESCRIPTION OF REVISIONS | B | Y | CHKD | DATE | COUNT | DESCRIPTION OF REVISIONS | B | Y | CHKD | DATE |
|-------|--------------------------|---|---|------|------|-------|--------------------------|---|---|------|------|
| △     |                          |   |   |      |      | △     |                          |   |   |      |      |
| △     |                          |   |   |      |      | △     |                          |   |   |      |      |
| △     |                          |   |   |      |      | △     |                          |   |   |      |      |

EMBOSSED TAPING DRAWING(4:1)

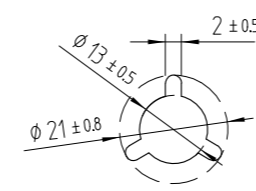


REEL DRAWING (SCALE FREE)



A (SCALE FREE)

MATERIAL: PS(WHITE)



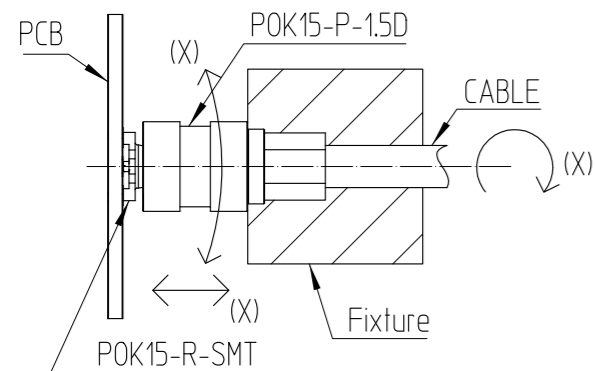
NOTES:

- 1 : THE QUANTITY OF POK15-R-SMT IS 1,000 CONNECTORS PER REEL.
- 2 : LEAD CO-PLANARITY SHALL BE 0.12 MAX.
- 3 : FOR THE POSSIBILITY OF BREAKAGE OR DEFORMATION.  
DO NOT MATE THES CONNECTOR WITH PARTNER, POK15-P-15D BEFORE MOUNTING ON PC BOARD.
- 4 : USE ALL PRODUCTS WITHIN 6 MONTHS AFTER THE DELIVERY.  
STORE THEM IN MANUFACTURER'S PACKAGE OR TIGHTLY RE-CLOSED BOX WITH THE FOLLOWING CONDITIONS, CHECK THE TERMINAL SOLDERABILITY BEFORE USE IF THE PRODUCT HAS BEEN STORED FOR MORE THAN 6 MONTHS.  
TEMPERATURE : -10°C TO +50°C  
HUMIDITY : 15 TO 85% RH.

|                            |                 |                  |                                |          |                         |
|----------------------------|-----------------|------------------|--------------------------------|----------|-------------------------|
| 3                          | TITANIUM COPPER | GOLD PLATING     |                                |          |                         |
| 1                          | COPPER          | GOLD PLATING     | 2                              | LCP      | (COLOR : BLACK)         |
| NO.                        | MATERIAL        | FINISH . REMARKS | NO.                            | MATERIAL | FINISH . REMARKS        |
| CODE NO. (OLD)             |                 |                  | DRAWN                          | DESINGED | CHECKED                 |
|                            |                 |                  | D.G KIM                        | D.G KIM  | H.S KIM                 |
|                            |                 |                  | 19.06.19                       | 19.06.19 | 19.06.19                |
|                            |                 |                  | APPROVED                       | RELEASED |                         |
|                            |                 |                  | H.S KIM                        | H.S KIM  | ENG<br>19.06.19<br>DEPT |
| DRAWING NO.<br>EDC3-632851 |                 |                  | PART NO.<br>POK15-R-SMT(800)   |          |                         |
| UNITS<br>mm                |                 |                  | CODE NO.<br>CL 6341-0009-5-800 |          |                         |
| HRS HIROSE KOREA CO.,LTD.  |                 |                  | 1/2                            |          |                         |

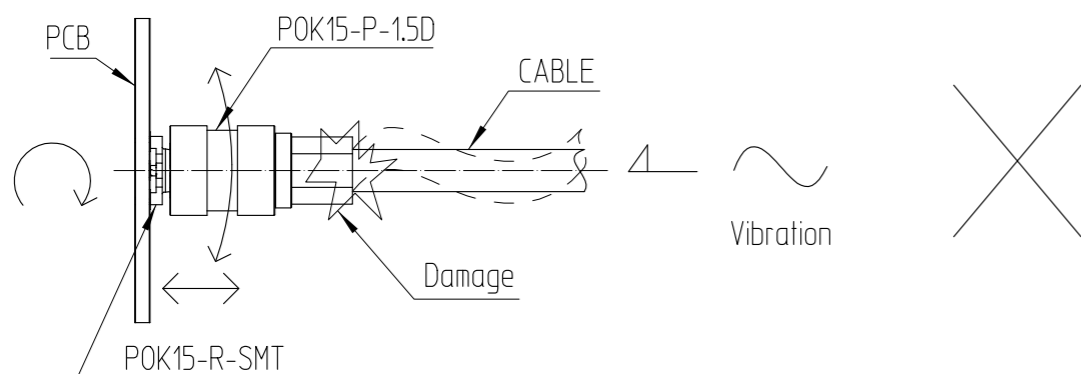
Jun.1.2024 Copyright 2024 HIROSE ELECTRIC CO., LTD. All Rights Reserved.  
In case of consideration for using Automotive equipment / device which demand high reliability, kindly contact our sales window correspondents.

[Caution]



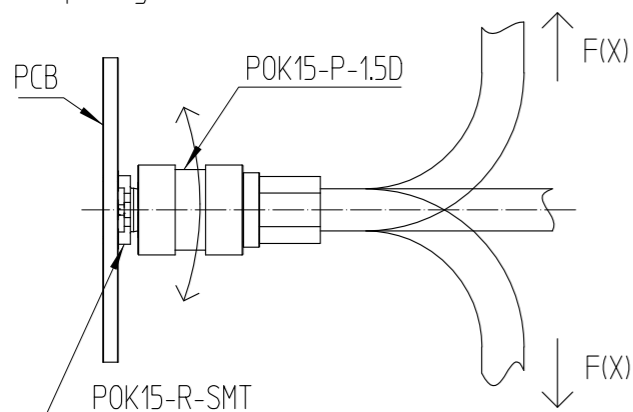
\* This product should be fixed with fixture so that it does not rotate vertically and horizontally when it is combined with mating material.  
The product must be assembled with counterpart and fixed by it's tool to prevent it from rotating (If it is not fixed by the tool, it might cause disfunction in usage)

[Example of incident ( when there is no tool for fixation )]



\* If you use this product without the fixing structure, it may cause loss of function of the product, disconnection of the connection part, peeling of the counterpart due to rotation of up and down and left and right.

If the product is used without fixation, it might(rotation) cause disfunction, disconnection of wire, PCB peeling off.



\* If you use this product without the fixing structure, If the force acts in the direction differently from the center of the product, it may cause the loss of function due to eccentricity of the product.

If the product is used without fixation and force is applied in different direction from the center of the product, it may cause disfunction due to eccentricity of the product.

HRS DRAWING FOR REFERENCE

|                                  |                            |                              |   |                                |
|----------------------------------|----------------------------|------------------------------|---|--------------------------------|
| <br>SCALE<br>10:1<br>UNITS<br>mm | DRAWING NO.<br>EDC3-632851 | PART NO.<br>POK15-R-SMT(800) | <div style="border: 1px solid black; padding: 2px;">2 / 2</div> |                                |
|                                  | HIROSE KOREA CO.,LTD.      |                              |   | CODE NO.<br>CL 6341-0009-5-800 |
|                                  |                            |                              |   |                                |