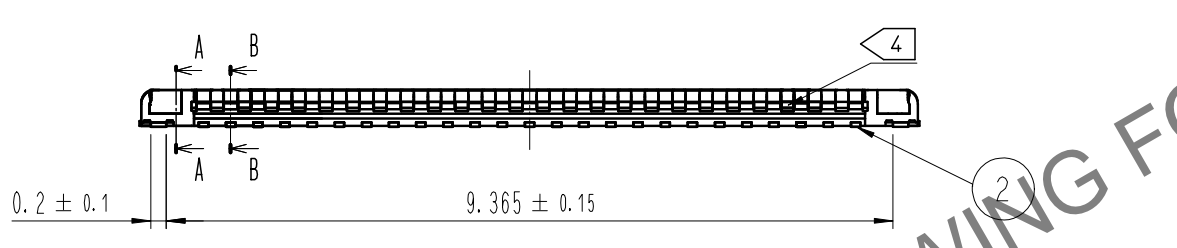
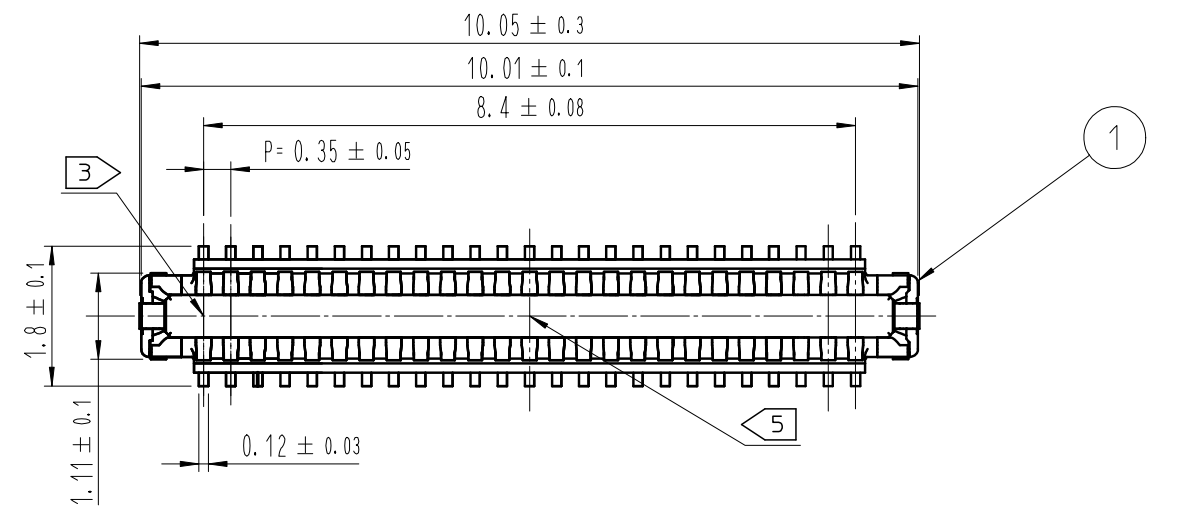
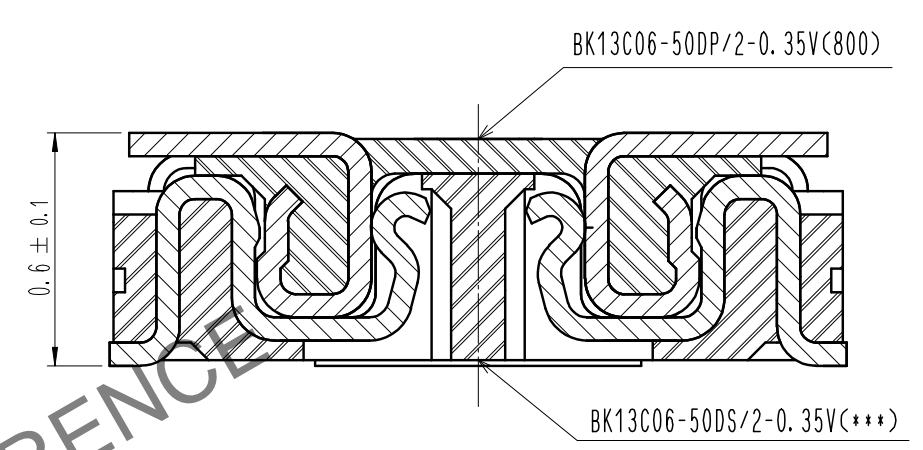


Feb.1.2025 Copyright 2025 HIROSE ELECTRIC CO., LTD. All Rights Reserved.  
In case of consideration for using Automotive equipment / device which demand high reliability, kindly contact our sales window correspondents.

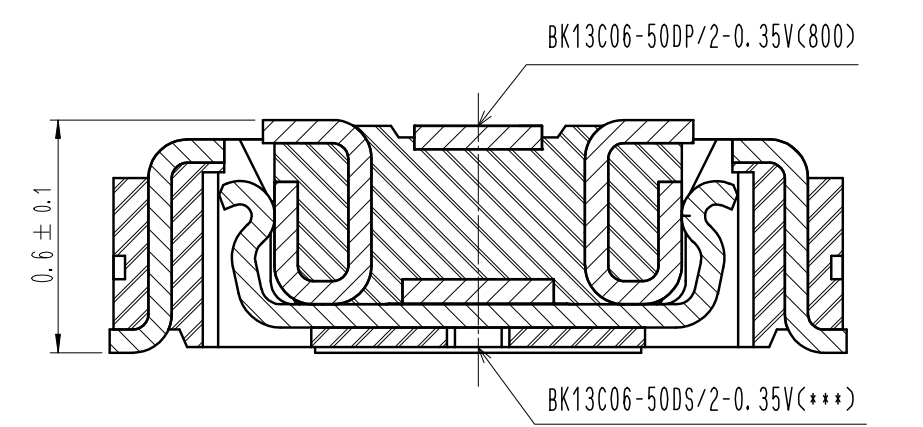
| COUNT | DESCRIPTION OF REVISIONS | B   | Y   | CHKD | DATE     | COUNT | DESCRIPTION OF REVISIONS | B | Y | CHKD | DATE |
|-------|--------------------------|-----|-----|------|----------|-------|--------------------------|---|---|------|------|
| 4     | RE-6-1800                | YDK | JHW |      | 20.04.17 |       |                          |   |   |      |      |
|       |                          |     |     |      |          |       |                          |   |   |      |      |
|       |                          |     |     |      |          |       |                          |   |   |      |      |



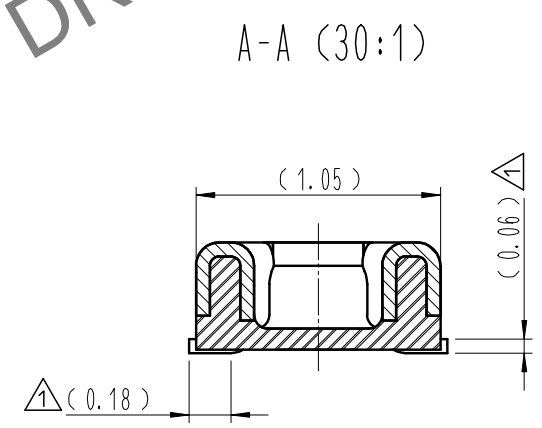
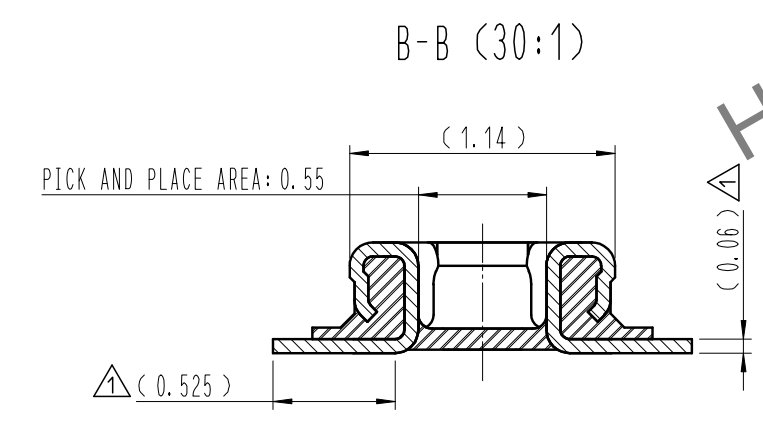
ENGAGEMENT FIGURE (50:1)



SIGNAL CONTACT



POWER CONTACT

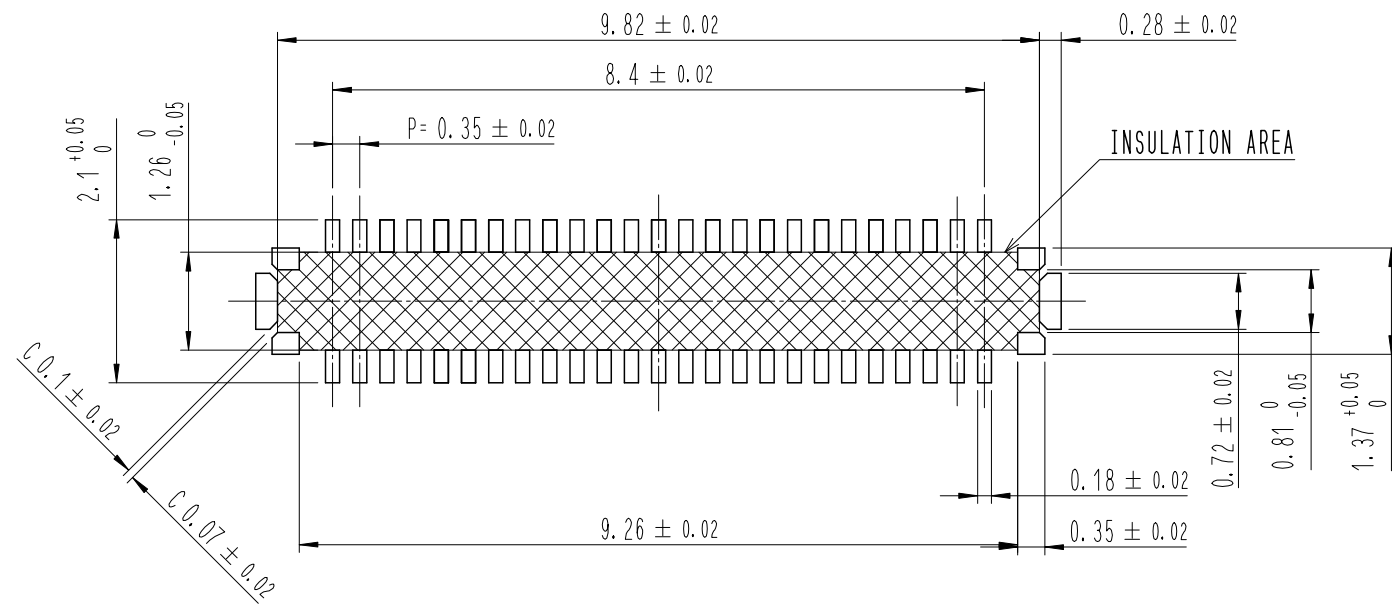


- NOTE
- 1. ALL LEAD CO-PLANARITY SHALL BE 0.08mm MAX.
  - 2. CONTACT PLATING SPECIFICATIONS  
CONTACT AREA : GOLD 0.05 μm MIN  
SMT LEAD : GOLD 0.05 μm MIN  
UNDERPLATING : NICKEL 1 μm MIN  
( SURFACE : SEALING )
  - 3. CAV NO. ARE INDICATED IN APPROX POSITION SHOWN.
  - 4. A PART OF THE WALL COULD BE NOTCHED
  - 5. DENT EXISTS IN THE INDICATED AREA FOR MANUFACTURING CONVENIENCE.

| 4              | PS                         | CLEAR (EMBOSSD CARRIER TAPE) |                                    |          |                 |                             |            |          |                      |          |
|----------------|----------------------------|------------------------------|------------------------------------|----------|-----------------|-----------------------------|------------|----------|----------------------|----------|
| 3              | COPPER ALLOY               | 2                            |                                    |          |                 |                             |            |          |                      |          |
| 2              | COPPER ALLOY               | 2                            |                                    |          |                 | 6                           | PS         |          | BLACK (PLASTIC REEL) |          |
| 1              | LCP                        | UL94 V-0, BLACK              |                                    |          |                 | 5                           | POLYESTER  |          | CLEAR (COVER TAPE)   |          |
| NO.            | MATERIAL                   | FINISH, REMARKS              | NO.                                | MATERIAL | FINISH, REMARKS |                             |            |          |                      |          |
| REMARKS        |                            |                              |                                    |          |                 | DRAWN                       | DESIGNED   | CHECKED  | APPROVED             | RELEASED |
|                |                            |                              |                                    |          |                 | H. K. JEON                  | H. K. JEON | H. W. JO | H. W. JO             | 20.02.18 |
|                |                            |                              |                                    |          |                 | 20.02.18                    | 20.02.18   | 20.02.18 | 20.02.18             | 20.02.18 |
| CODE NO. (OLD) | DRAWING NO. EDC3-632996-80 |                              | PART NO. BK13C06-50DP/2-0.35V(800) |          |                 |                             |            |          |                      |          |
| SCALE 10:1     | UNITS mm                   |                              | HRS HIROSE KOREA CO., LTD.         |          |                 | CODE NO. CL 6665-0033-4-800 |            |          | 1                    | 3        |

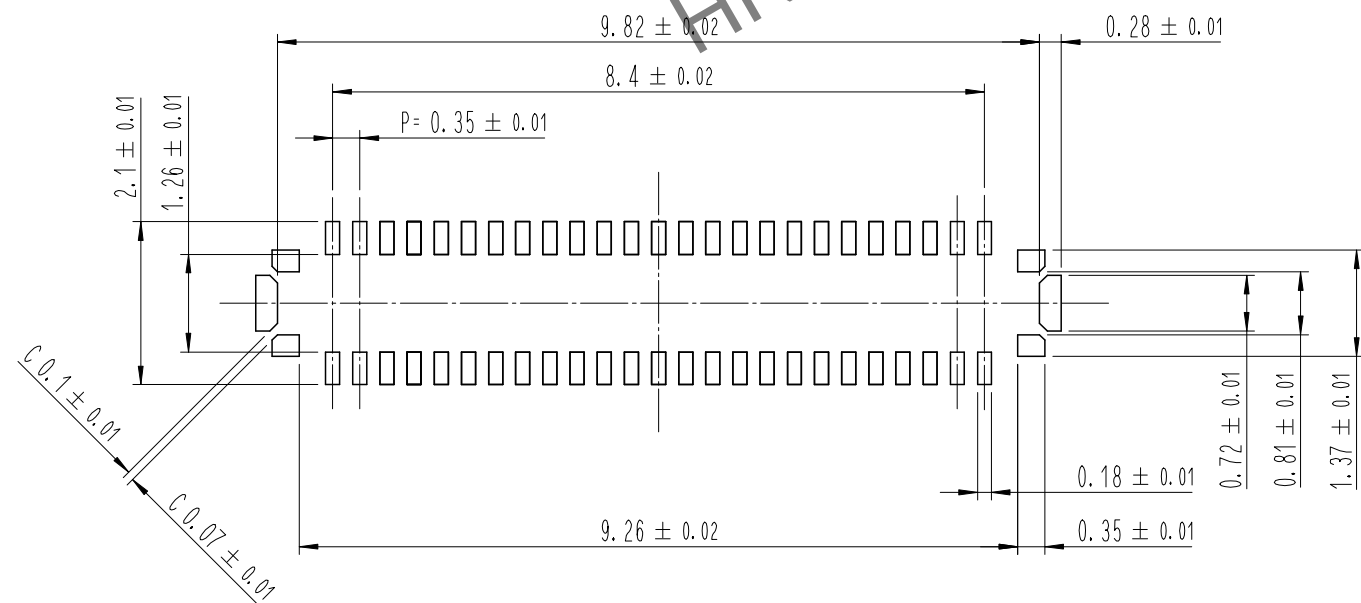
Feb.1.2025 Copyright 2025 HIROSE ELECTRIC CO., LTD. All Rights Reserved.  
In case of consideration for using Automotive equipment / device which demand high reliability, kindly contact our sales window correspondents.

7 **RECOMMENDED PCB LAYOUT**

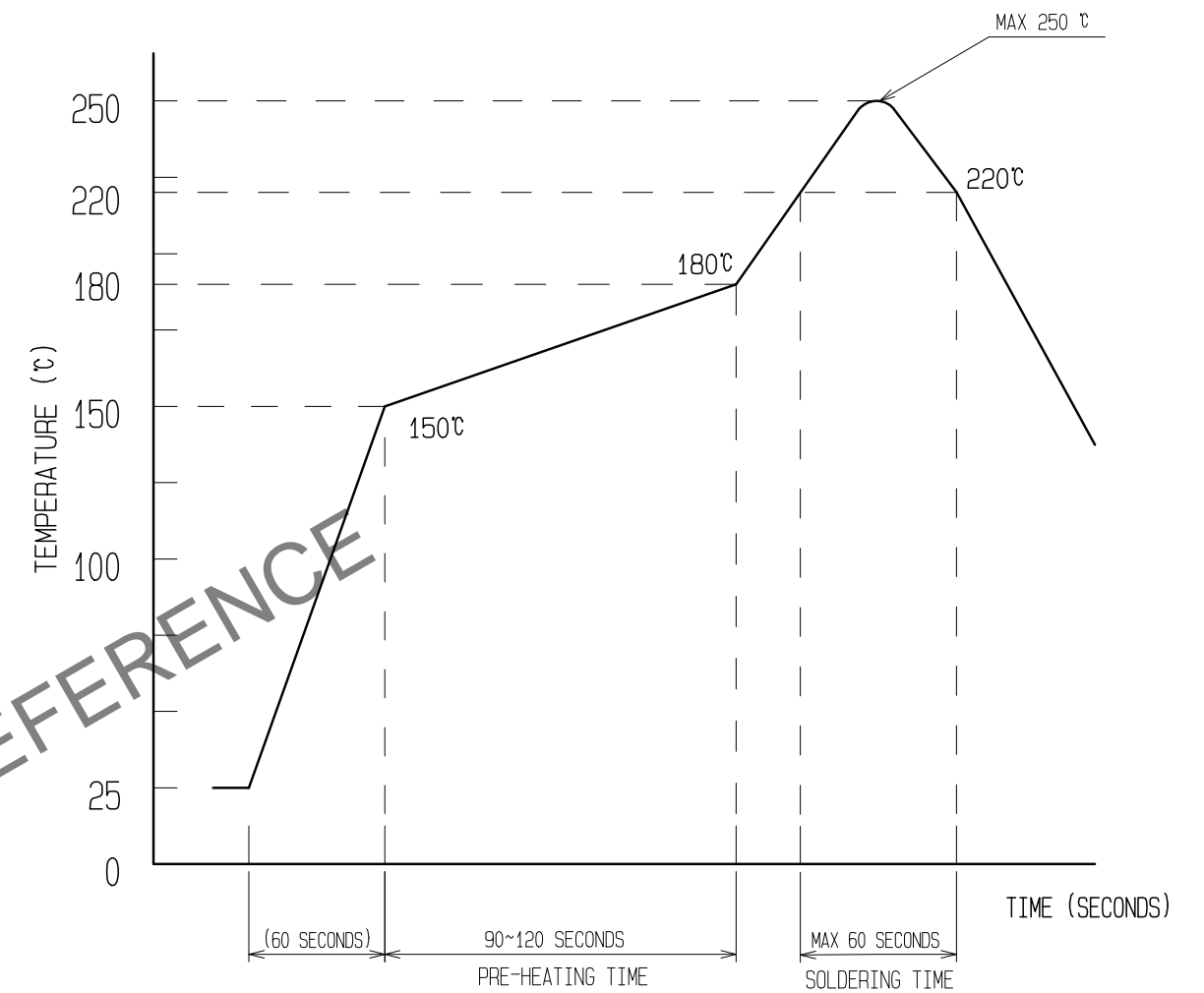


8 **RECOMMENDED METAL MASK DIMENSIONS**

METAL MASK THICKNESS : 80 μm



6 **RECOMMENDED REFLOW TEMPERATURE PROFILE USING LEAD-FREE SOLDER PASTE.**



- REFLOW METHOD : N<sub>2</sub> REFLOW  
 NUMBER OF REFLOW CYCLES : 2 CYCLES MAX.  
 1) REFLOW TIME  
 DURATION ABOVE 220°C, 60 SEC MAX.  
 (PEAK TEMPERATURE : 250°C MAX)  
 2) PRE-HEAT TIME  
 PRE-HEAT TEMPERATURE(MIN): 150°C  
 PRE-HEAT TEMPERATURE(MAX): 180°C  
 PRE-HEAT TIME: 90-120 SEC.

6 THIS TEMPERATURE PROFILE IS PER THE CONDITIONS SHOWN ABOVE. ADDITIONAL FACTORS SUCH AS SOLDER PASTE TYPE, PCB SIZE AND OTHER MOUNTED COMPONENTS COULD AFFECT THE PROFILE. THEREFORE, A THOROUGH EVALUATION OF MOUNTING CONDITION IS REQUIRED PRIOR TO PRODUCTION. TEMPERATURE IS MEASURED AT CONTACT LEAD.

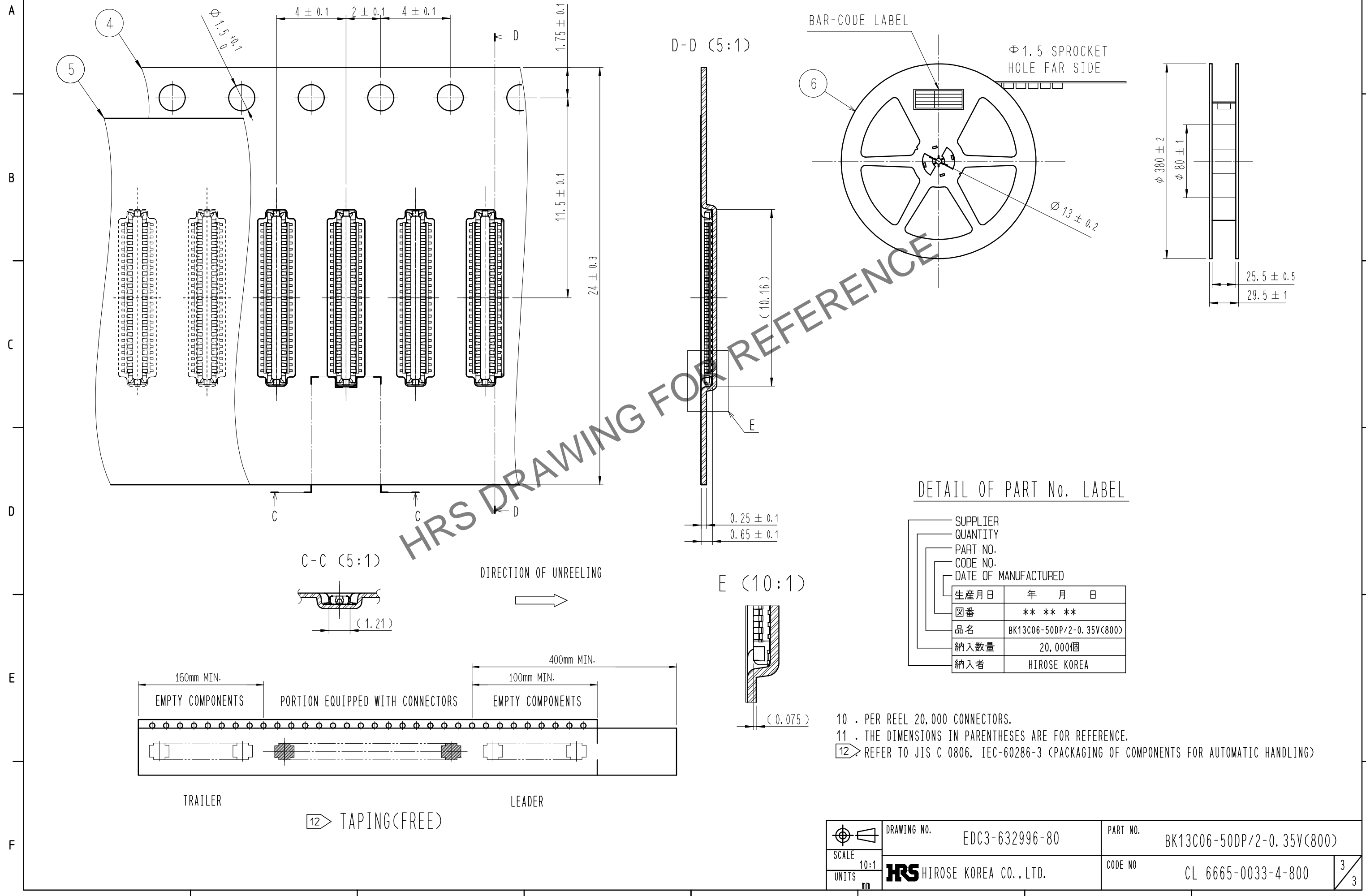
- 7 PLEASE CONTACT US IN CASE YOU WILL MAKE DIFFERENT SETTINGS FROM OUR RECOMMENDATION.  
 8 . THIS PRODUCT SATISFIES HALOGEN FREE REQUIREMENTS DEFINED AS 900ppm MAXIMUM CHLORINE, 900ppm MAXIMUM BROMINE, AND 1500ppm MAXIMUM TOTAL OF CHLORINE AND BROMINE.  
 9 . THIS PRODUCT COMPLY WITH RoHS.

|       |                        |                |          |                           |
|-------|------------------------|----------------|----------|---------------------------|
|       | DRAWING NO.            | EDC3-632996-80 | PART NO. | BK13C06-50DP/2-0.35V(800) |
|       | SCALE                  | 10:1           | CODE NO  | CL 6665-0033-4-800        |
| UNITS | HIROSE KOREA CO., LTD. |                |          | 2/3                       |

Feb.1.2025 Copyright 2025 HIROSE ELECTRIC CO., LTD. All Rights Reserved.  
In case of consideration for using Automotive equipment / device which demand high reliability, kindly contact our sales window correspondents.

# EMBOSED CARRIER TAPE PACKAGING (5:1)

# STYLE AND DIMENSION OF REEL (FREE)



HRS DRAWING FOR REFERENCE

### DETAIL OF PART No. LABEL

|   |                      |                           |
|---|----------------------|---------------------------|
| — | SUPPLIER             |                           |
| — | QUANTITY             |                           |
| — | PART NO.             |                           |
| — | CODE NO.             |                           |
| — | DATE OF MANUFACTURED |                           |
| — | 生産月日                 | 年 月 日                     |
| — | 図番                   | ** ** *                   |
| — | 品名                   | BK13C06-50DP/2-0.35V(800) |
| — | 納入数量                 | 20,000個                   |
| — | 納入者                  | HIROSE KOREA              |

10 . PER REEL 20,000 CONNECTORS.  
 11 . THE DIMENSIONS IN PARENTHESES ARE FOR REFERENCE.  
 12 > REFER TO JIS C 0806, IEC-60286-3 (PACKAGING OF COMPONENTS FOR AUTOMATIC HANDLING)

12 > TAPING(FREE)

|   |                        |          |                           |
|---|------------------------|----------|---------------------------|
| <br>DRAWING NO.<br>SCALE 10:1<br>UNITS mm | EDC3-632996-80         | PART NO. | BK13C06-50DP/2-0.35V(800) |
|   | HIROSE KOREA CO., LTD. |          | CODE NO.                  |

3/3