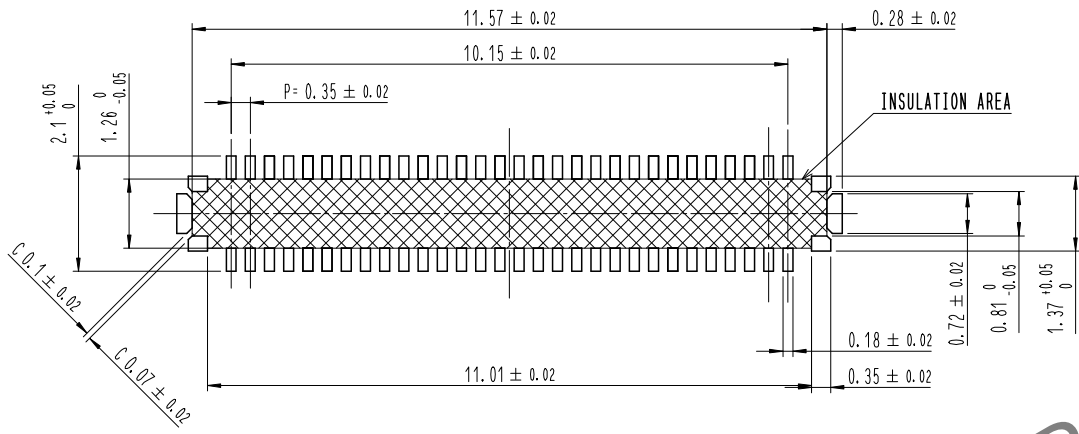


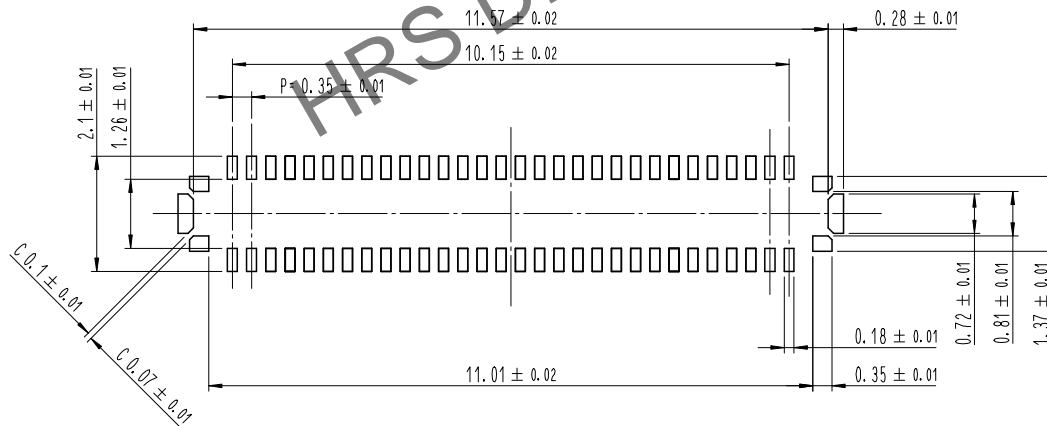
Feb. 1. 2025 Copyright 2025 HIROSE ELECTRIC CO., LTD. All Rights Reserved.
 use of consideration for using Automotive equipment / device which demand high reliability, kindly contact our sales window correspond

7 **RECOMMENDED PCB LAYOUT**

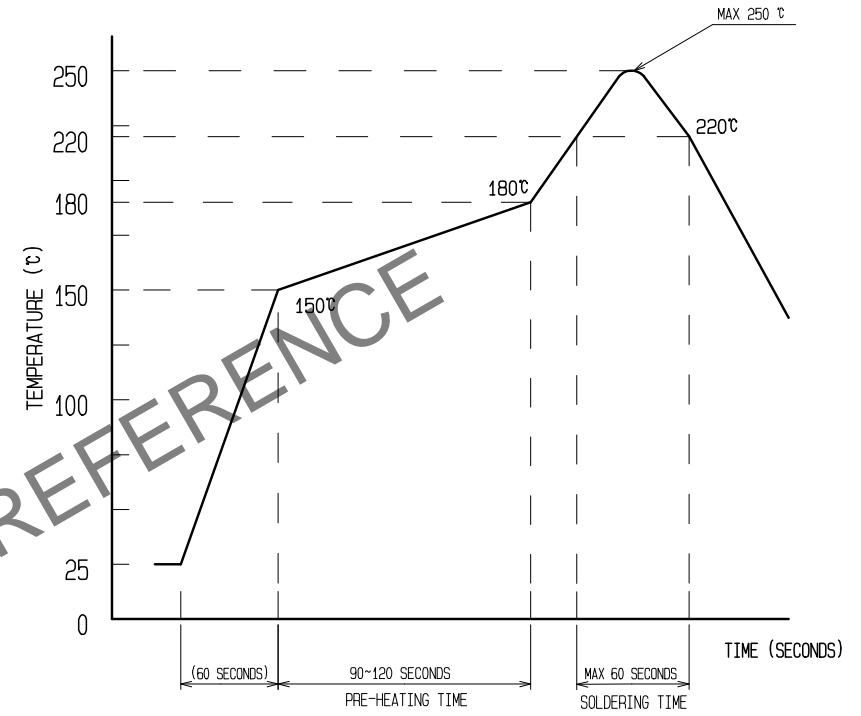


7 **RECOMMENDED METAL MASK DIMENSIONS**

METAL MASK THICKNESS : 80 μm



6 **RECOMMENDED REFLOW TEMPERATURE PROFILE USING LEAD-FREE SOLDER PASTE.**



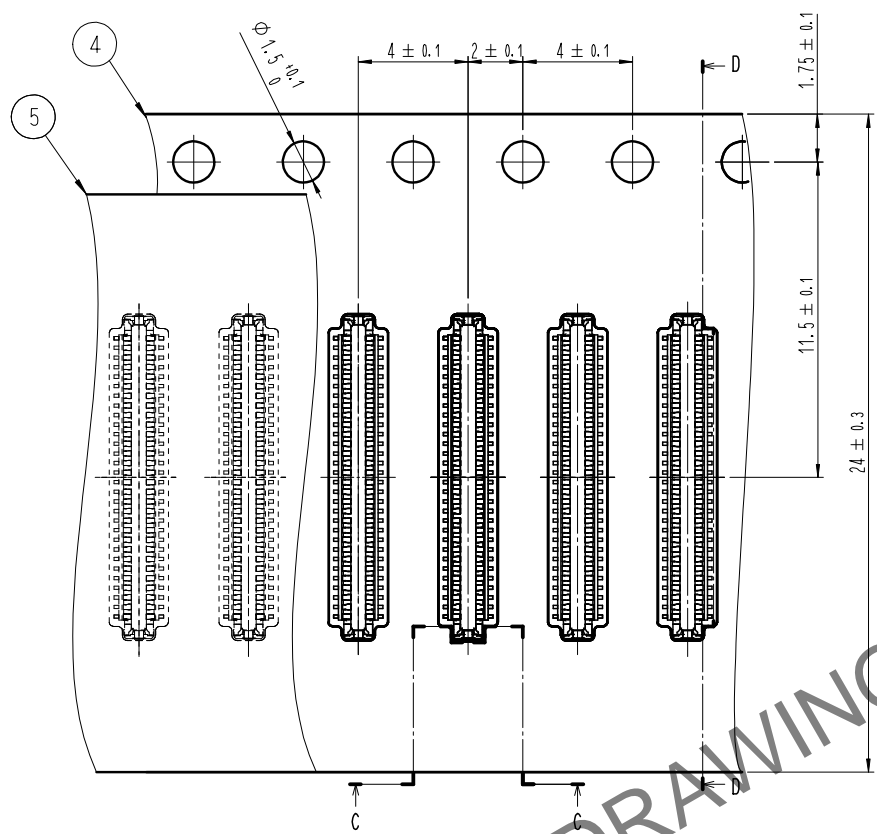
- REFLOW METHOD : N₂ REFLOW
 NUMBER OF REFLOW CYCLES : 2 CYCLES MAX.
 1) REFLOW TIME
 DURATION ABOVE 220°C, 60 SEC MAX.
 (PEAK TEMPERATURE : 250°C MAX)
 2) PRE-HEAT TIME
 PRE-HEAT TEMPERATURE(MIN): 150°C
 PRE-HEAT TEMPERATURE(MAX): 180°C
 PRE-HEAT TIME: 90-120 SEC.

- 6 THIS TEMPERATURE PROFILE IS PER THE CONDITIONS SHOWN ABOVE. ADDITIONAL FACTORS SUCH AS SOLDER PASTE TYPE, PCB SIZE AND OTHER MOUNTED COMPONENTS COULD AFFECT THE PROFILE. THEREFORE, A THOROUGH EVALUATION OF MOUNTING CONDITION IS REQUIRED PRIOR TO PRODUCTION. TEMPERATURE IS MEASURED AT CONTACT LEAD.
 7 PLEASE CONTACT US IN CASE YOU WILL MAKE DIFFERENT SETTINGS FROM OUR RECOMMENDATION.
 8 THIS PRODUCT SATISFIES HALOGEN FREE REQUIREMENTS DEFINED AS 900ppm MAXIMUM CHLORINE, 900ppm MAXIMUM BROMINE, AND 1500ppm MAXIMUM TOTAL OF CHLORINE AND BROMINE.
 9 THIS PRODUCT COMPLY WITH RoHS.

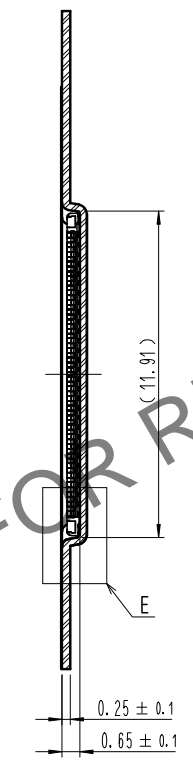
	DRAWING NO.	EDC3-632998-95	PART NO.	BK13C06-60DP/2-0.35V(895)		
	SCALE	10:1	CODE NO	CL 6665-0031-9-895		
UNITS	HIROSE KOREA CO., LTD.			<table border="1"> <tr> <td>2</td> <td>3</td> </tr> </table>	2	3
2	3					

Feb. 1. 2025 Copyright 2025 HIROSE ELECTRIC CO., LTD. All Rights Reserved.
 use of consideration for using Automotive equipment / device which demand high reliability, kindly contact our sales window correspond

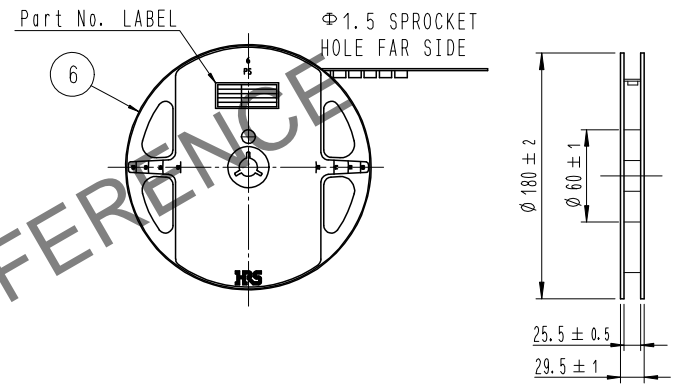
EMBOSSED CARRIER TAPE PACKAGING (5:1)



D-D (5:1)



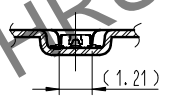
STYLE AND DIMENSION OF REEL (FREE)



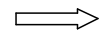
DETAIL OF PART No. LABEL

SUPPLIER	HIROSE
QUANTITY	1,000
PART NO.	BK13C06-60DP/2-0.35V(895)
CODE NO.	CL 6665-0031-9-895
DATE OF MANUFACTURED	年 月 日
生産月日	年 月 日
図番	** ** *
品名	BK13C06-60DP/2-0.35V(895)
納入数量	1,000個
納入者	HIROSE KOREA

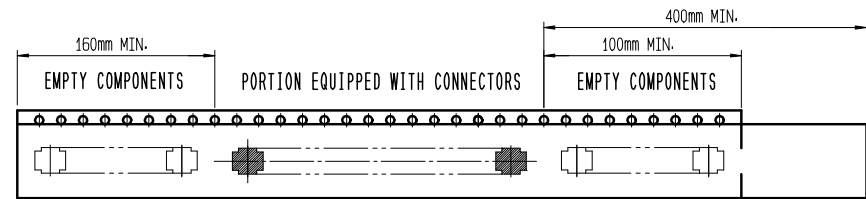
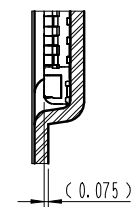
C-C (5:1)



DIRECTION OF UNREELING



E (10:1)



TRAILER

LEADER

TAPING(FREE)

- 10 . PER REEL 1,000 CONNECTORS.
- 11 . THE DIMENSIONS IN PARENTHESES ARE FOR REFERENCE.
- 12 > REFER TO JIS C 0806, IEC-60286-3 (PACKAGING OF COMPONENTS FOR AUTOMATIC HANDLING)

	DRAWING NO.	EDC3-632998-95	PART NO.	BK13C06-60DP/2-0.35V(895)
	SCALE	10:1	CODE NO.	CL 6665-0031-9-895
UNITS	HIROSE KOREA CO., LTD.			

3/3