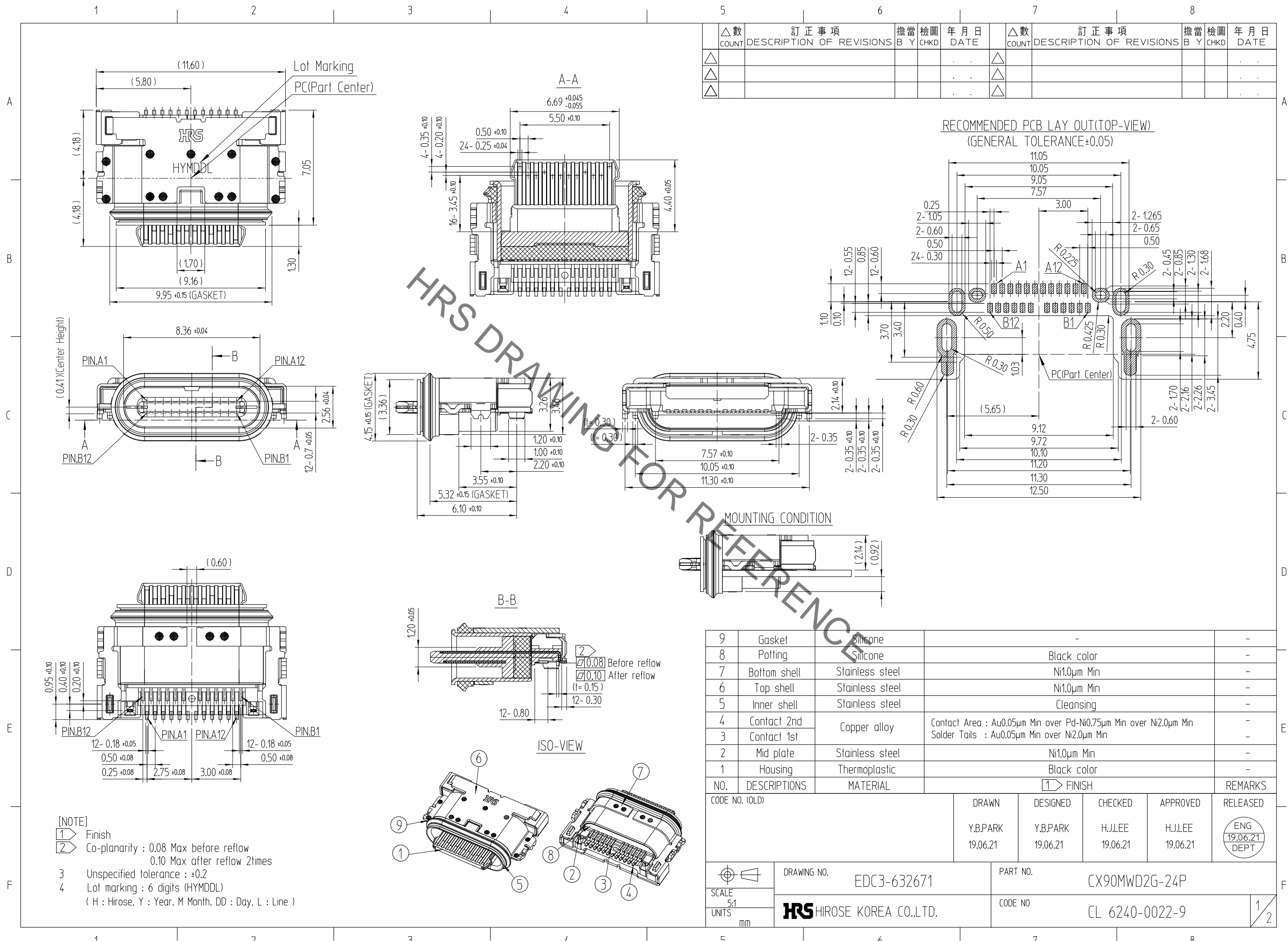


Jun.1.2021 Copyright 2021 HIROSE ELECTRIC CO., LTD. All Rights Reserved.
 In case of consideration for using Automotive equipment / device which demand high reliability, kindly contact our sales window correspondents.



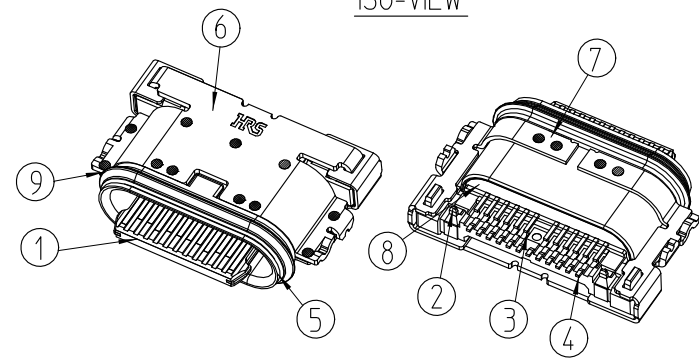
△數 COUNT	訂正事項 DESCRIPTION OF REVISIONS	擔當 B	檢圖 CHKD	年月日 DATE	△數 COUNT	訂正事項 DESCRIPTION OF REVISIONS	擔當 B	檢圖 CHKD	年月日 DATE
△					△				
△					△				
△					△				

NO.	DESCRIPTIONS	MATERIAL	FINISH	REMARKS
9	Gasket	Silicone	-	-
8	Potting	Silicone	Black color	-
7	Bottom shell	Stainless steel	Ni1.0µm Min	-
6	Top shell	Stainless steel	Ni1.0µm Min	-
5	Inner shell	Stainless steel	Cleansing	-
4	Contact 2nd	Copper alloy	Contact Area : Au0.05µm Min over Pd-Ni0.75µm Min over Ni2.0µm Min Solder Tails : Au0.05µm Min over Ni2.0µm Min	-
3	Contact 1st			-
2	Mid plate	Stainless steel	Ni1.0µm Min	-
1	Housing	Thermoplastic	Black color	-

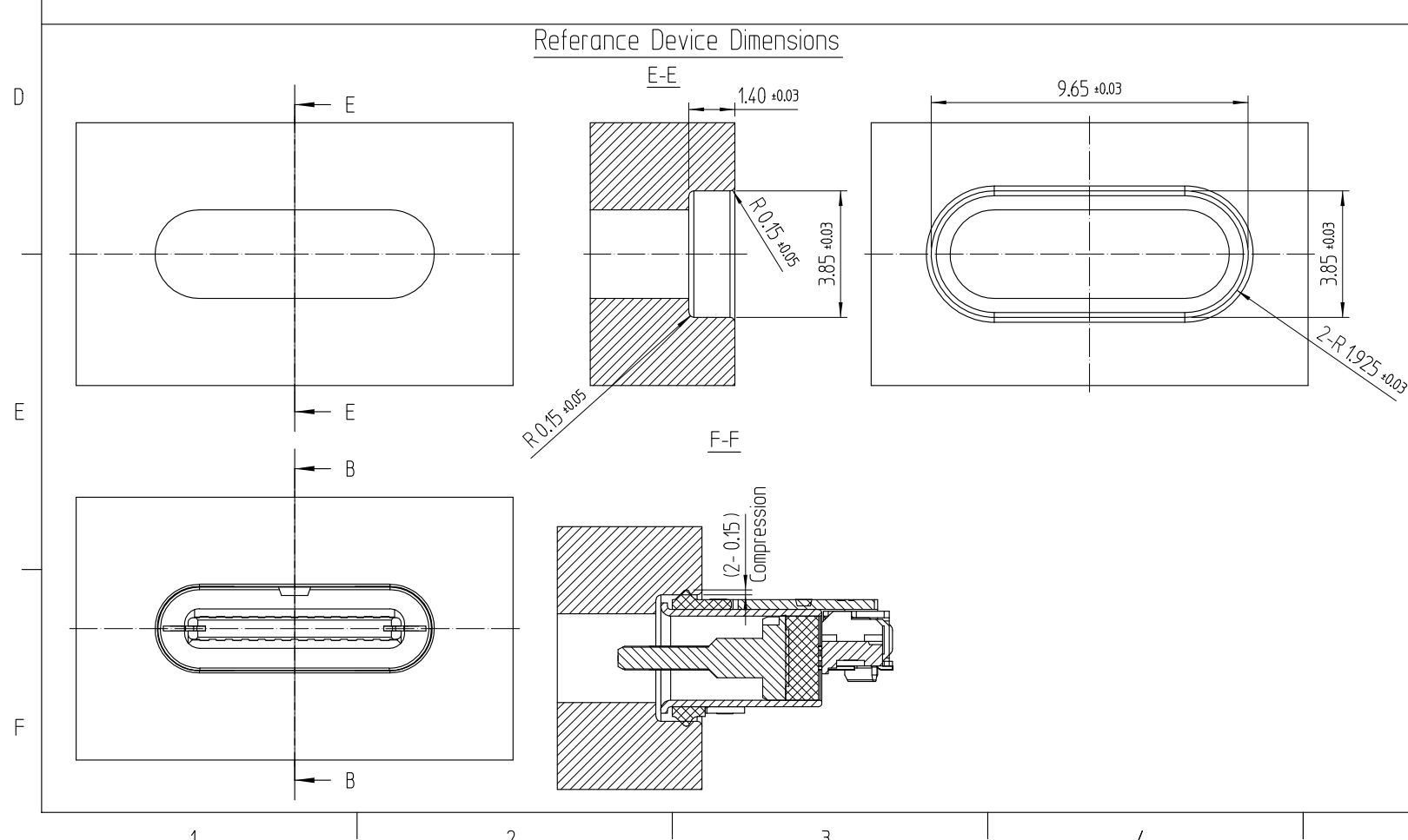
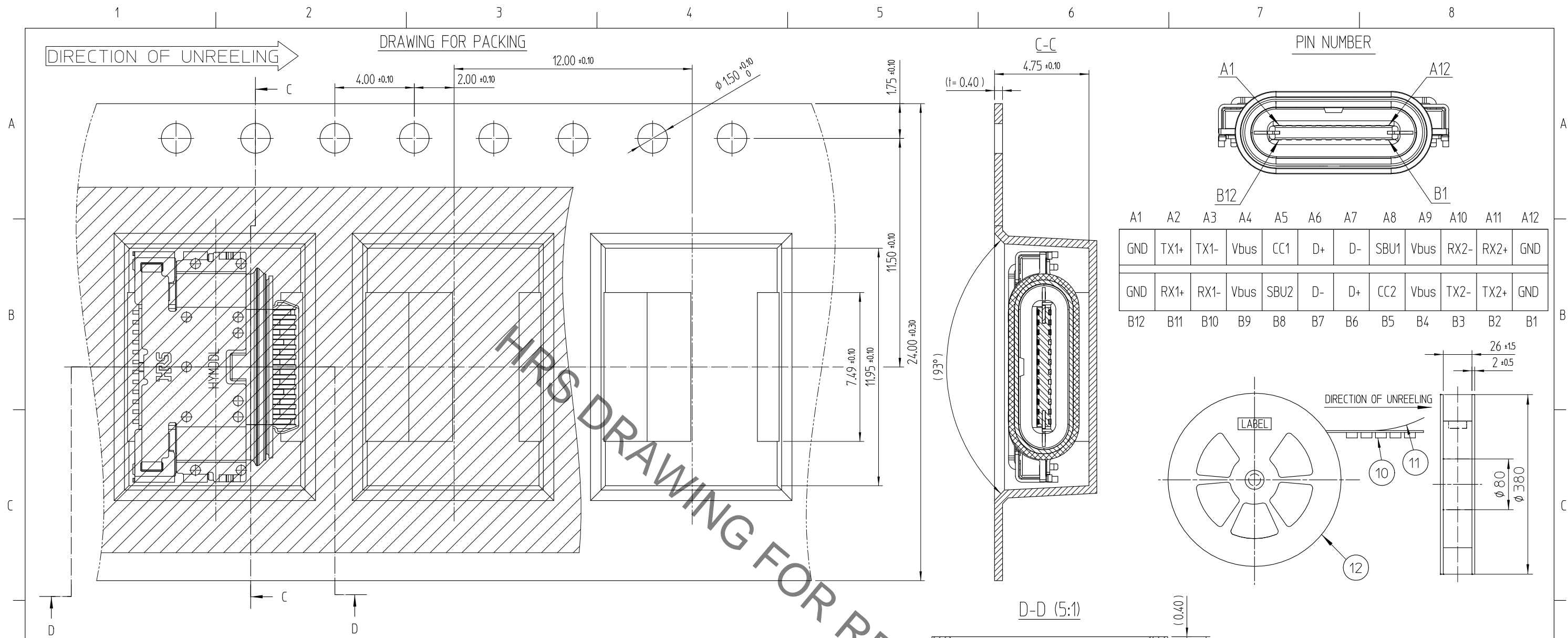
CODE NO. (OLD)	DRAWN	DESIGNED	CHECKED	APPROVED	RELEASED
	Y.B.PARK 19.06.21	Y.B.PARK 19.06.21	H.J.LEE 19.06.21	H.J.LEE 19.06.21	ENG 19.06.21 DEPT

SCALE	DRAWING NO.	PART NO.	CODE NO.	1/2
5:1 UNITS mm	EDC3-632671	CX90MWD2G-24P	CL 6240-0022-9	1/2

- [NOTE]
- Finish
 - Co-planarity : 0.08 Max before reflow
0.10 Max after reflow 2times
 - Unspecified tolerance : ±0.2
 - Lot marking : 6 digits (HYMDDL)
(H : Hirose, Y : Year, M Month, DD : Day, L : Line)



Jun.1.2021 Copyright 2021 HIROSE ELECTRIC CO., LTD. All Rights Reserved.
In case of consideration for using Automotive equipment / device which demand high reliability, kindly contact our sales window correspondents.



[Note]
5. Carrier tape packing

6. Peeling force : 10~132 gf @ 300mm/min
7. Packing quantity
- 1,500EA / REEL
- 15,000EA / BOX (10 REEL / BOX)

12	Reel bobbin	PS	-	-
11	Cover tape	PET	-	-
10	Emboss tape	PS	Thermo-Compression Sealing	-
NO.	DESCRIPTIONS	MATERIAL	FINISH	REMARKS
DRAWING NO. EDC3-632671		PART NO. CX90MWD2G-24P		
SCALE 5:1		CODE NO. CL 6240-0022-9		2/2
UNITS mm		HRS HIROSE KOREA CO.,LTD.		