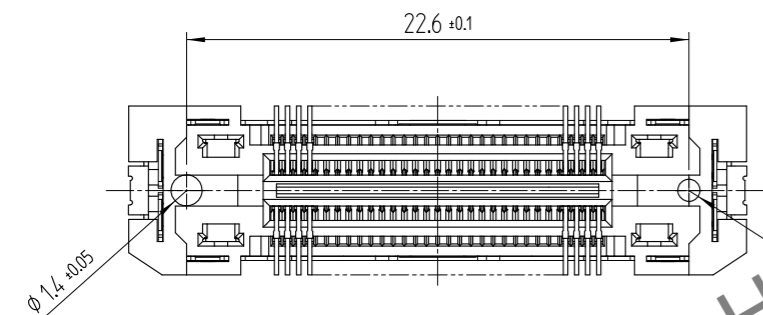
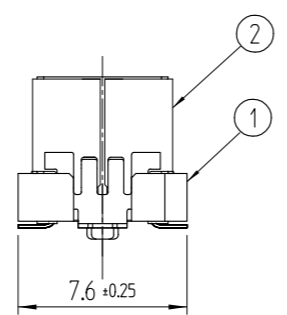
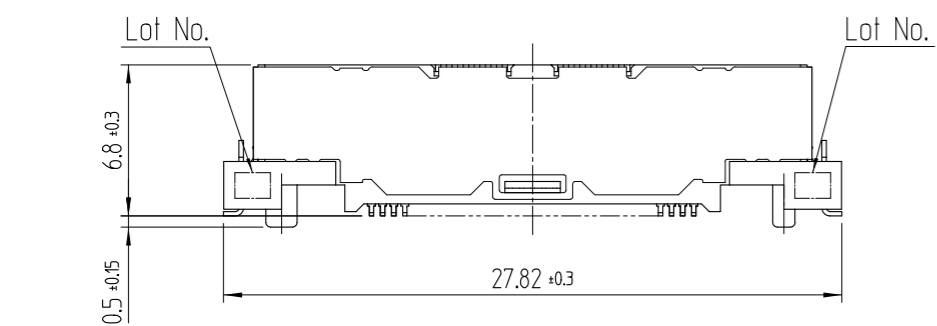
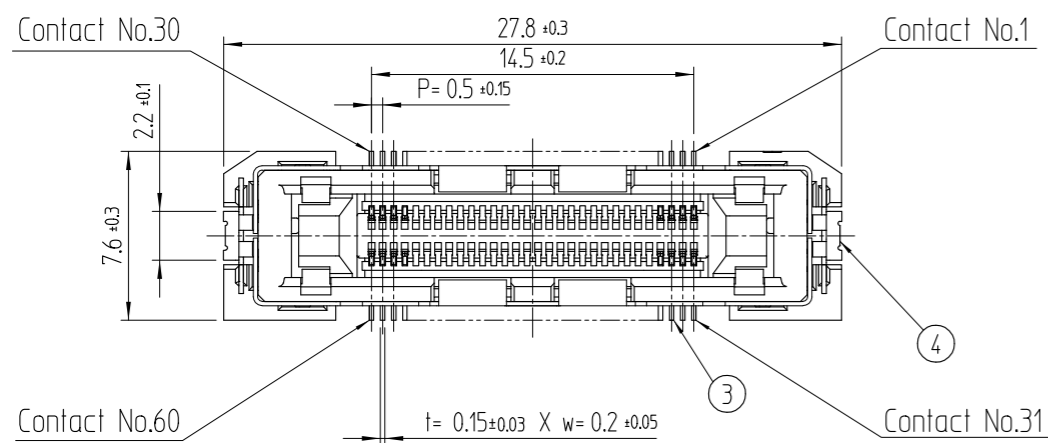


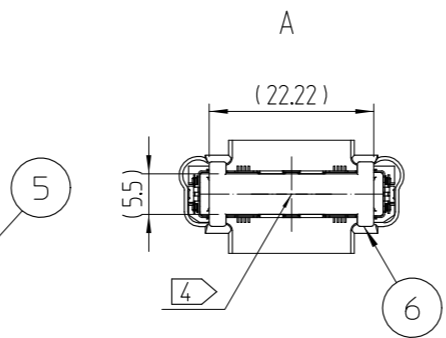
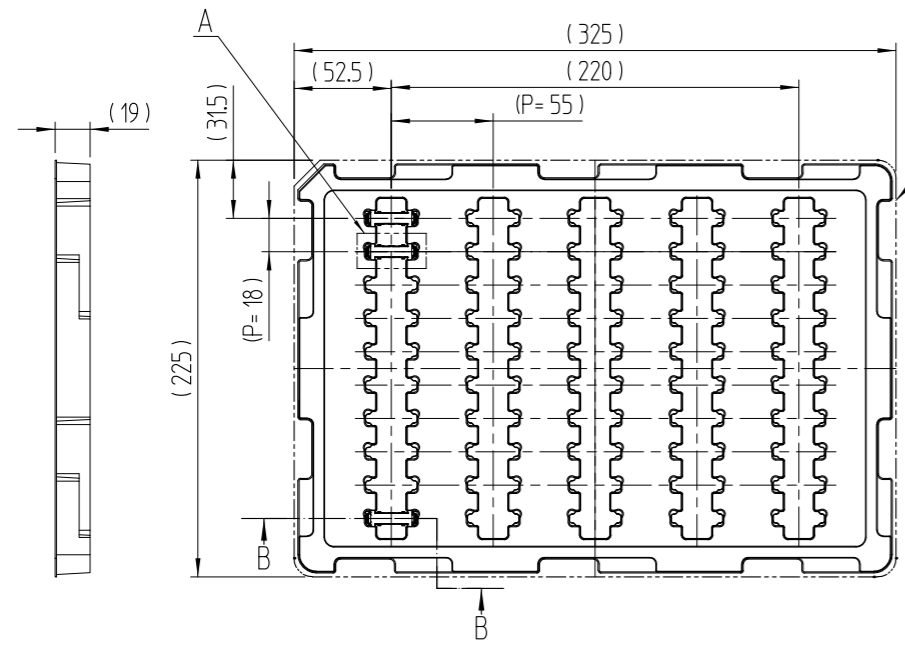
Jan.1.2025 Copyright 2025 HIROSE ELECTRIC CO., LTD. All Rights Reserved.  
In case of consideration for using Automotive equipment / device which demand high reliability, kindly contact our sales window correspondents.

△數 COUNT	訂正事項 DESCRIPTION OF REVISIONS	擔當 B Y	檢圖 CHKD	年月日 DATE	△數 COUNT	訂正事項 DESCRIPTION OF REVISIONS	擔當 B Y	檢圖 CHKD	年月日 DATE
△					△				
△					△				
△					△				

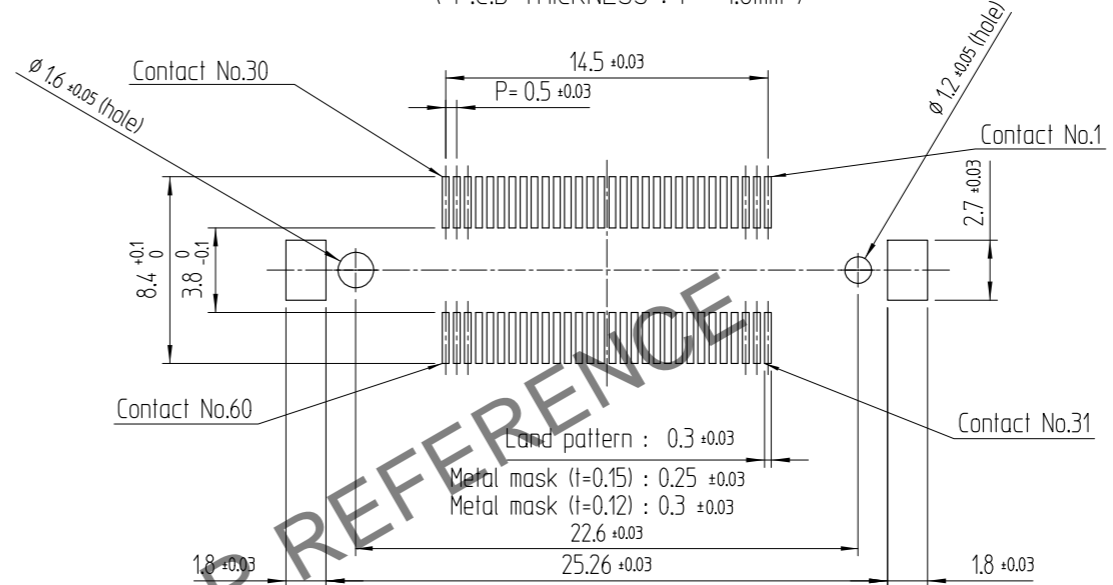
REFERENCE DRAWING



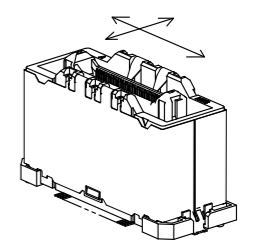
2 DRAWING FOR PACKING (No scale)



RECOMMENDED LAND PATTERN DIMENSION OF P.C.B  
( P.C.B THICKNESS : t = 1.6mm )

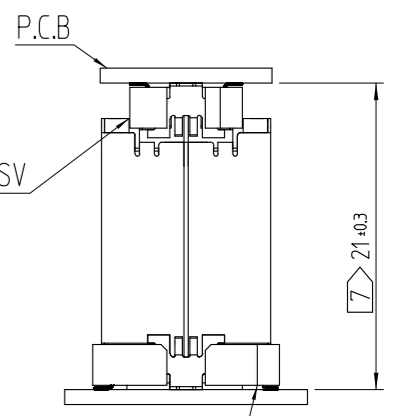


3 FLOATING ±0.8mm



KP27F-60P-0.5SV21

P.C.B DISTANCE



3 KP27F-60P-0.5SV21  
(Mating connector)

1. Lead co-planarity is 0.10mm MAX.
- 2 This is packaged in tray. (50pcs/tray)
- 3 Floating range of this connector is ±0.8mm MAX.
- 4 It shows the vacuum pickup area. Remove the CAP before mating connectors.
5. Blemish and hit mark can be occurred through out the manufacturing process which doesn't affect quality level.
6. The dimensions in parentheses are for references.
- 7 Please use the connectors within the specified PCB distance.

3	CONTACT	COPPER ALLOY	NiP + AuP (CONTACT, SMT AREA)	6	CAP	PA	(CAP FOR VACUUM PICKUP)	
2	SHIELD	COPPER ALLOY	NiP	5	TRAY	POLYSTYRENE	(TRAY)	
1	CASE	LCP	BLACK / UL94-0	4	METAL HOLD DOWN	COPPER ALLOY	NiP+SnP	
NO.	PART	MATERIAL	FINISH,REMARKS	NO.	PART	MATERIAL	FINISH,REMARKS	
TITLE				DRAWN	DESIGNED	CHECKED	APPROVED	RELEASED
				J.H.PARK	J.H.PARK	W.S.YOON	B.H.AN	ENG 19.08.23 DEPT
				19.08.23	19.08.23	19.08.23	19.08.23	
DRAWING NO. EDC3-632364				PART NO. KP27F-60S-0.5SV(800)				
SCALE 2:1				CODE NO 6547-0006-1-800				1/1
UNITS mm				HIROSE KOREA CO.,LTD.				