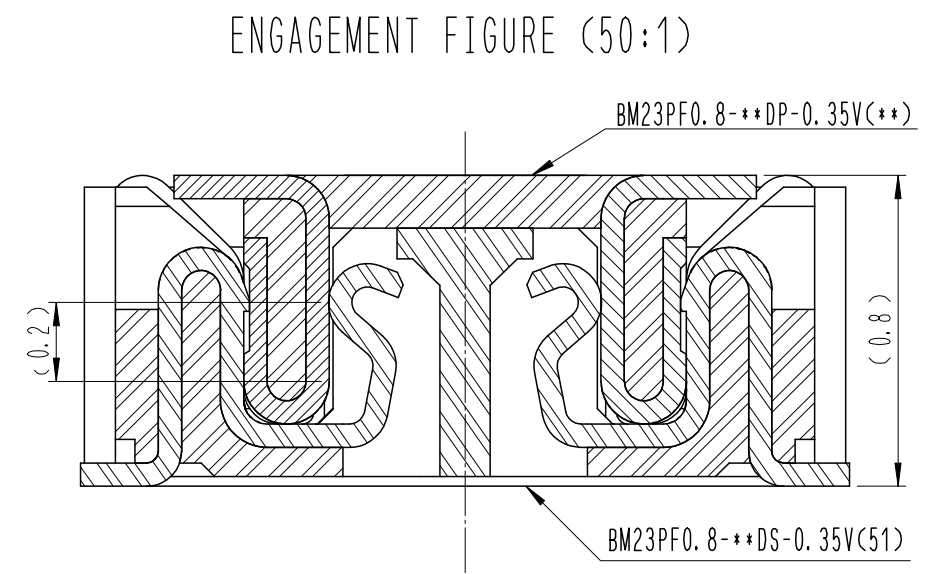
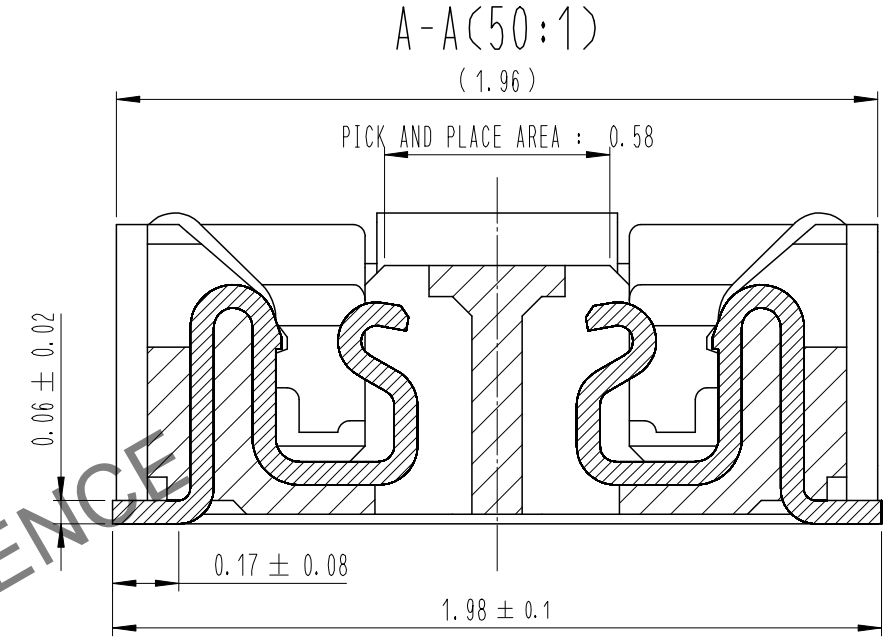
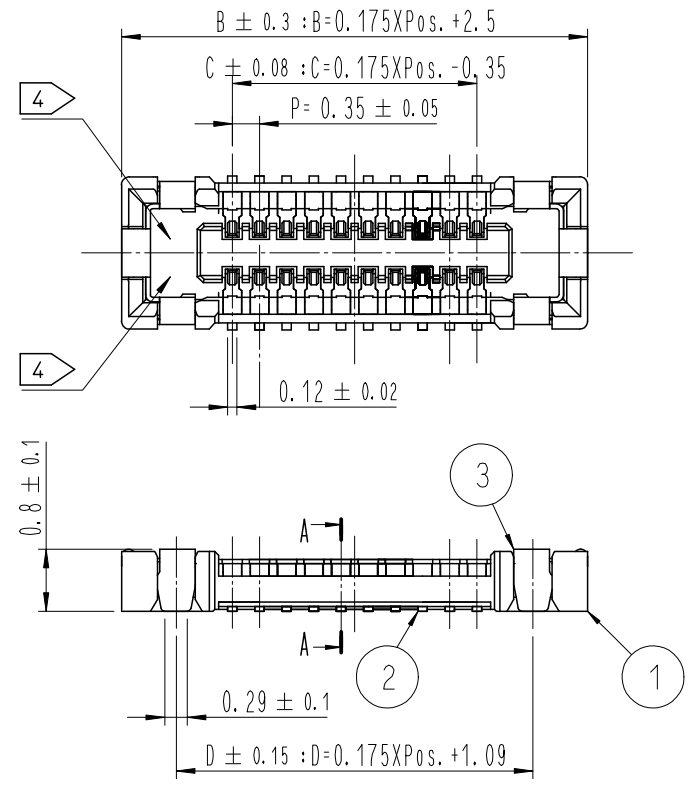


Dec.1.2024 Copyright 2024 HIROSE ELECTRIC CO., LTD. All Rights Reserved.  
In case of consideration for using Automotive equipment / device which demand high reliability, kindly contact our sales window correspondents.

COUNT	DESCRIPTION OF REVISIONS	B	Y	CHKD	DATE	COUNT	DESCRIPTION OF REVISIONS	B	Y	CHKD	DATE
2	RE-6-0742	LYJ	JHW		16.09.27						
3	RE-6-0806	MSH	JHW		17.01.05						
3	RE-6-1784	PSH	JHW		20.04.09						



PART No.	CODE No.	POS.	B	C	D
BM23PF0.8-10DS-0.35V(51)	-	10	4.25	1.40	2.84
BM23PF0.8-14DS-0.35V(51)	-	14	4.95	2.10	3.54
BM23PF0.8-20DS-0.35V(51)	-	20	6.00	3.55	4.59
BM23PF0.8-24DS-0.35V(51)	-	24	6.70	3.85	5.29
BM23PF0.8-30DS-0.35V(51)	-	30	7.75	4.90	6.34
BM23PF0.8-40DS-0.35V(51)	-	40	9.50	6.65	8.09
BM23PF0.8-42DS-0.35V(51)	-	42	9.85	7.00	8.44
BM23PF0.8-44DS-0.35V(51)	-	44	10.20	7.35	8.79
BM23PF0.8-46DS-0.35V(51)	-	46	10.55	7.70	9.14
BM23PF0.8-50DS-0.35V(51)	-	50	11.25	8.40	9.84
BM23PF0.8-54DS-0.35V(51)	-	54	11.95	9.10	10.54
BM23PF0.8-60DS-0.35V(51)	-	60	13.00	10.15	11.59
BM23PF0.8-64DS-0.35V(51)	-	64	13.70	10.85	12.29

NOTE

1. ALL LEAD CO-PLANARITY SHALL BE 0.08mm MAX.

2. CONTACT PLATING SPECIFICATIONS.  
CONTACT AREA : GOLD 0.05 μm MIN.  
SMT LEAD : GOLD 0.05 μm MIN.  
UNDERPLATING : NICKEL 1 μm MIN.  
( SURFACE : SEALING )

3. METAL FITTING PLATING SPECIFICATIONS.  
SMT LEAD : GOLD 0.05 μm MIN.  
UNDERPLATING : NICKEL 1 μm MIN.  
( SURFACE : SEALING )

4. HRS MARK AND CAV NO. IS INDICATED IN APPROX POSITION SHOWN.

NO.	MATERIAL	FINISH , REMARKS	NO.	MATERIAL	FINISH , REMARKS
4	PS	CLEAR (EMBOSSED CARRIER TAPE)	7	PS	CLEAR(REINFORCEMENT COLLAR)
3	COOPER ALLOY		6	PS	BLACK (PLASTIC REEL)
2	COOPER ALLOY		5	POLYESTER	CLEAR (COVER TAPE)
1	LCP	UL94 V-0, BLACK			

REMARKS	DRAWN	DESIGNED	CHECKED	APPROVED	RELEASED
	J. S. JANG	J. S. JANG	H. W. JO	H. W. JO	24.07.03
	20.10.06	20.10.06	20.10.06	20.10.06	

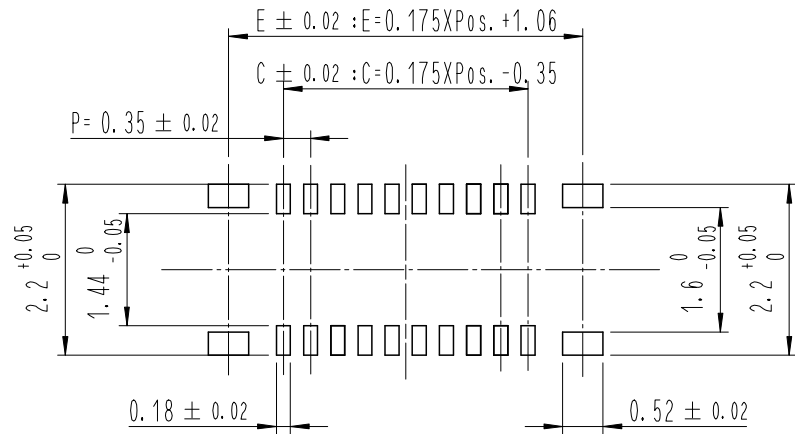
CODE NO. (OLD)	DRAWING NO.	PART NO.	CODE NO
	EDC3-*****	BM23PF0.8-**-DS-0.35V(51)	CL 66**-*****-51

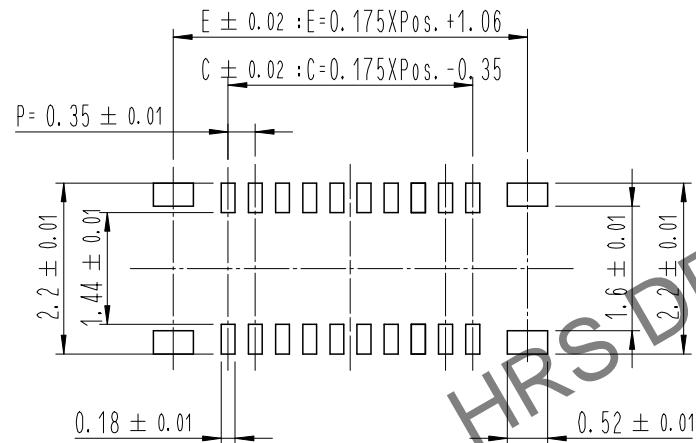
SCALE	UNITS	HRS	HIROSE KOREA CO., LTD.
10:1	mm		

Dec.1.2024 Copyright 2024 HIROSE ELECTRIC CO., LTD. All Rights Reserved.  
In case of consideration for using Automotive equipment / device which demand high reliability, kindly contact our sales window correspondents.

6 RECOMMENDED PCB LAYOUT

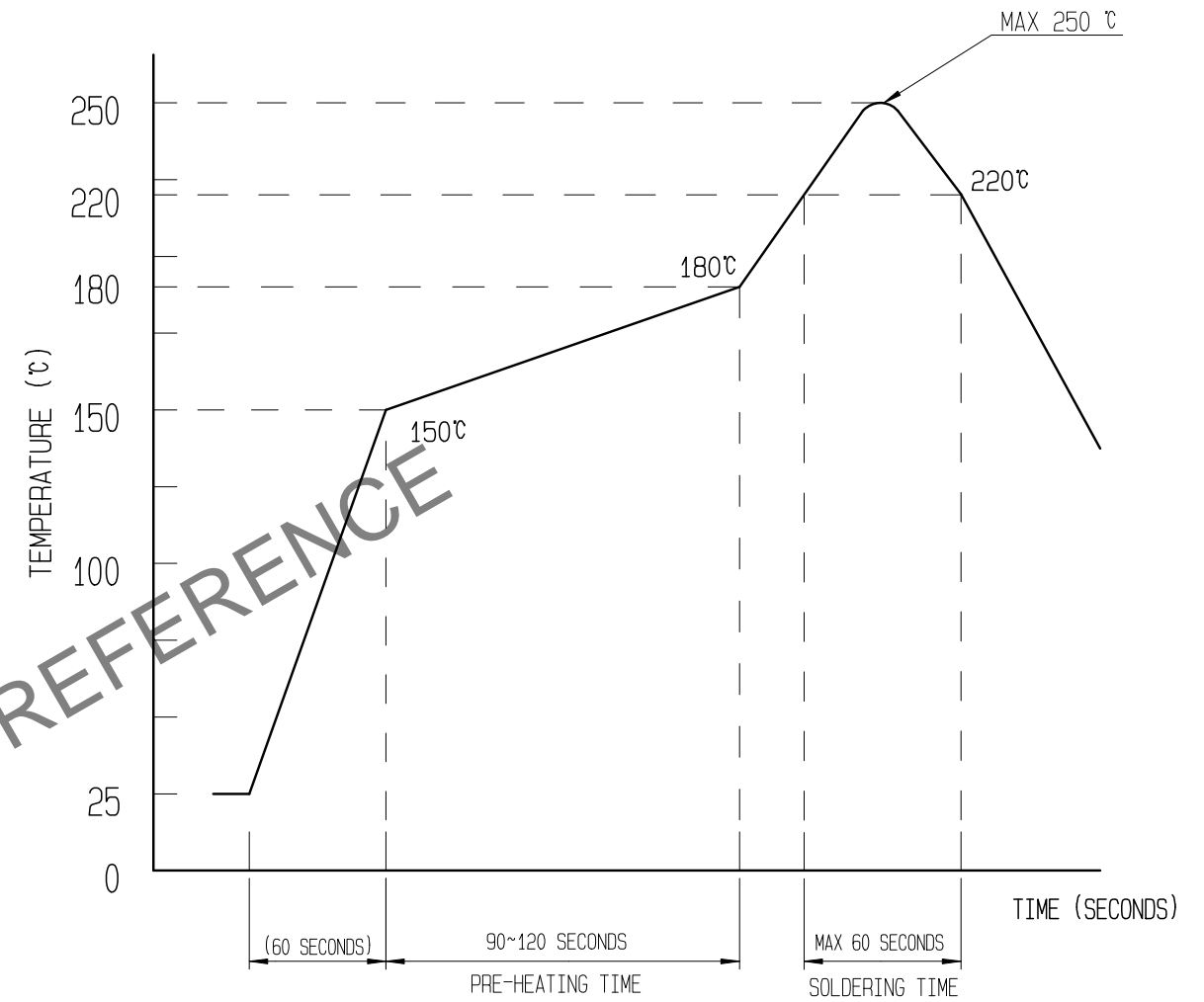


RECOMMENDED METAL MASK DIMENSIONS  
METAL MASK THICKNESS : 100 μm



POS.	C	E
10	1.40	2.81
14	2.10	3.51
20	3.15	4.56
24	3.85	5.26
30	4.90	6.31
40	6.65	8.06
42	7.00	8.41
44	7.35	8.76
46	7.70	9.11
50	8.40	9.81
54	9.10	10.51
60	10.15	11.56
64	10.85	12.26

5 RECOMMENDED REFLOW TEMPERATURE PROFILE USING LEAD-FREE SOLDER PASTE.



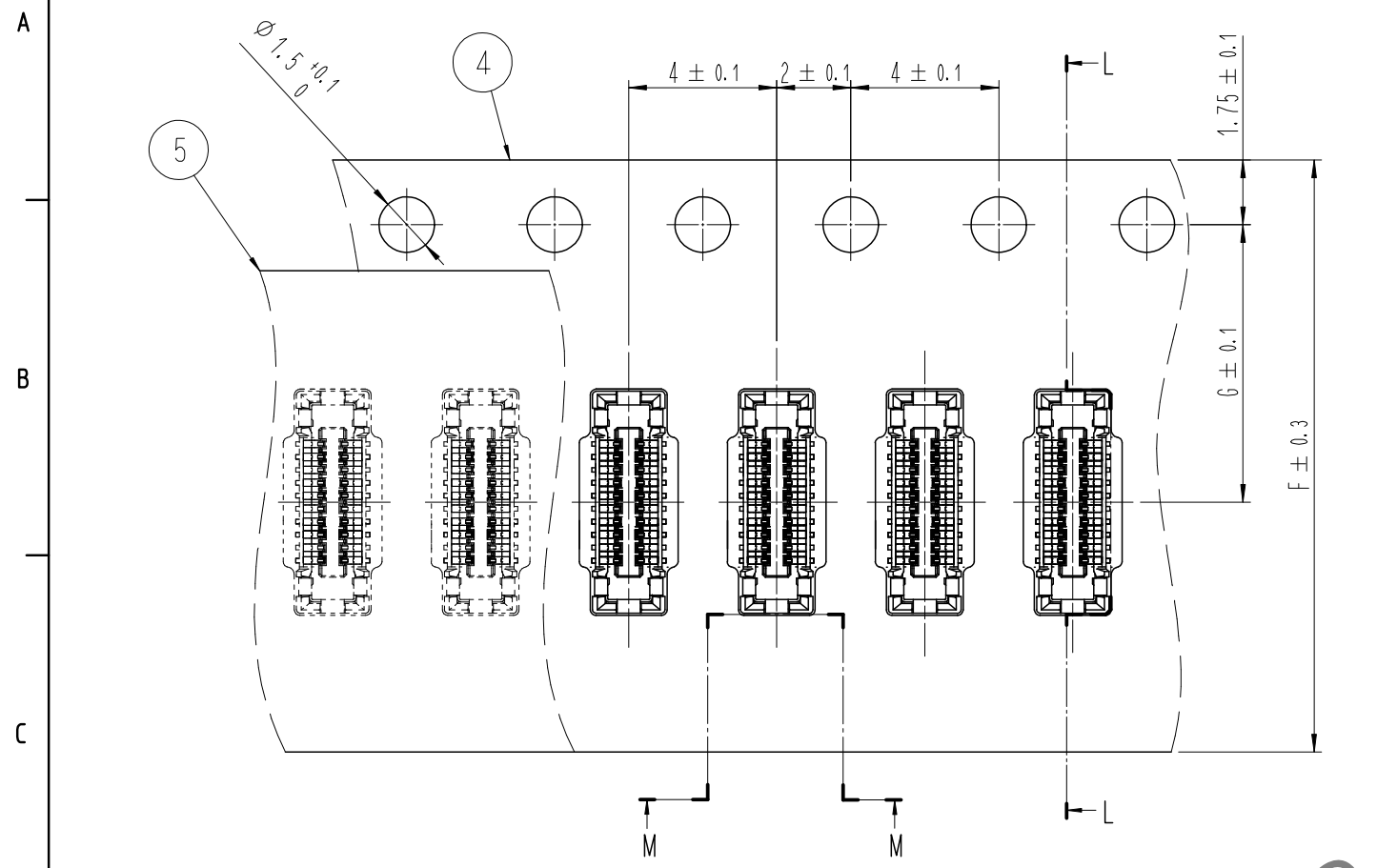
REFLOW METHOD: N<sub>2</sub> REFLOW  
 NUMBER OF REFLOW CYCLES: 2 CYCLES MAX.  
 1) REFLOW TIME  
 DURATION ABOVE 220°C, 60 SEC MAX.  
 (PEAK TEMPERATURE: 250°C MAX)  
 2) PRE-HEAT TIME  
 PRE-HEAT TEMPERATURE(MIN): 150°C  
 PRE-HEAT TEMPERATURE(MAX): 180°C  
 PRE-HEAT TIME: 90-120 SEC.

- 5. THIS TEMPERATURE PROFILE IS PER THE CONDITIONS SHOWN ABOVE. ADDITIONAL FACTORS, SUCH AS SOLDER PASTE TYPE, PCB SIZE AND OTHER MOUNTED COMPONENTS COULD AFFECT THE PROFILE, THEREFORE, A THOROUGH EVALUATION OF MOUNTING CONDITION IS REQUIRED PRIOR TO PRODUCTION. TEMPERATURE IS MEASURED AT CONTACT LEAD.
- 6. PLEASE CONTACT US IN CASE YOU WILL MAKE DIFFERENT SETTINGS FROM OUR RECOMMENDATION.

	DRAWING NO.	EDC3-*****	PART NO.	BM23PF0.8-**-DS-0.35V(51)		
	SCALE	10:1	CODE NO	CL 66**-*****-51		
UNITS	mm			<table border="1" style="float: right;"> <tr><td>2</td></tr> <tr><td>3</td></tr> </table>	2	3
2						
3						

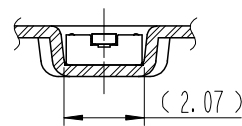
Dec.1.2024 Copyright 2024 HIROSE ELECTRIC CO., LTD. All Rights Reserved.  
In case of consideration for using Automotive equipment / device which demand high reliability, kindly contact our sales window correspondents.

# EMBOSED CARRIER TAPE PACKAGING (5:1)

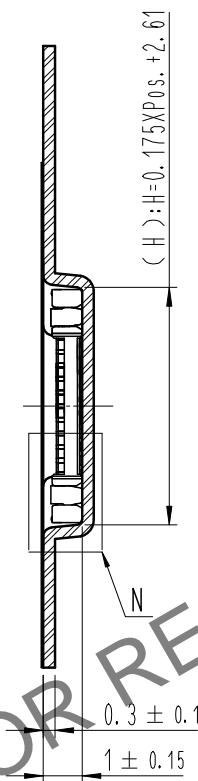


M-M (5:1)

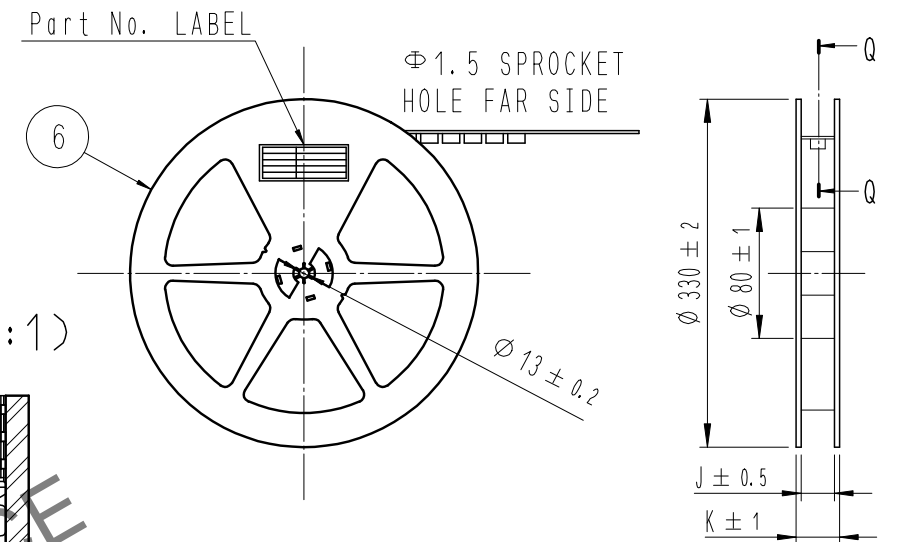
DIRECTION OF UNREELING



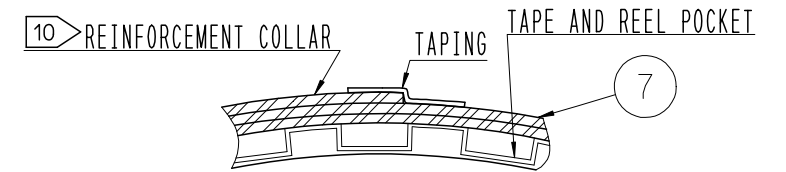
L-L (5:1)



## STYLE AND DIMENTION OF REEL (FREE)



E-E (FREE)



## DETAIL OF PART No. LABEL

SUPPLIER	
QUANTITY	
PART NO.	
CODE NO.	
DATE OF MANUFACTURED	
生産月日	年 月 日
箱番	** ** *
品名	BM23PF0.8-**-DS-0.35V(51)
納入数量	10,000個
納入者	HIROSE KOREA

△△△

POS.	F	G	H	J	K
10	16	7.5	4.36	17.5	21.5
14	16	7.5	5.06	17.5	21.5
20	16	7.5	6.11	17.5	21.5
24	16	7.5	6.81	17.5	21.5
30	16	7.5	7.86	17.5	21.5
40	24	11.5	9.61	25.5	29.5
42	24	11.5	9.96	25.5	29.5
44	24	11.5	10.31	25.5	29.5
46	24	11.5	10.66	25.5	29.5
50	24	11.5	11.36	25.5	29.5
54	24	11.5	12.06	25.5	29.5
60	24	11.5	13.11	25.5	29.5
64	24	11.5	13.81	25.5	29.5

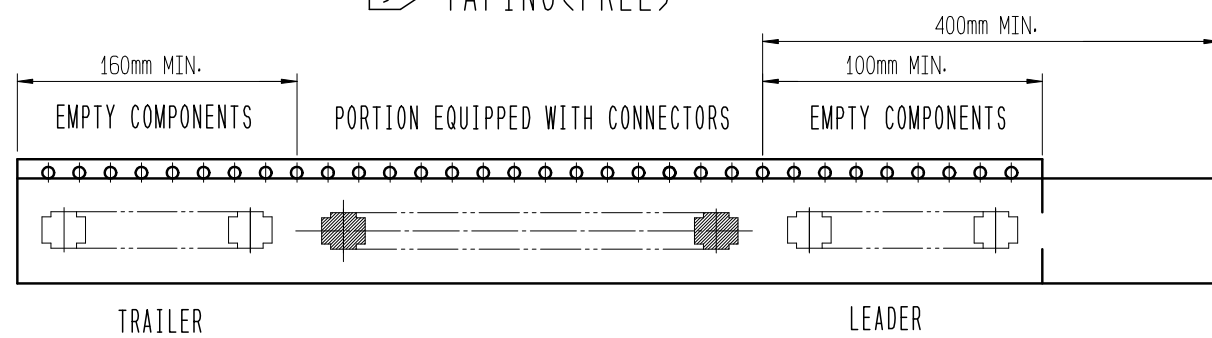
7 . PER REEL 10,000 CONNECTORS.

8 . THE DIMENSIONS IN PARENTHESES ARE FOR REFERENCE.

9 . REFER TO JIS C 0806, IEC-60286-3 (PACKAGING OF COMPONENTS FOR AUTOMATIC HANDLING)

10 . AFTER PACKAGING, ROLL 2 METERS OF THE REINFORCEMENT COLLAR TO OUTER CIRCUMFERENCE OF TAPE AND REEL POCKET. AND TAPE DOWN AT THE END THE COLLAR.

9 TAPING(FREE)



 SCALE 10:1 UNITS mm	DRAWING NO.	EDC3-*****	PART NO.	BM23PF0.8-**-DS-0.35V(51)
	 HIROSE KOREA CO., LTD.		CODE NO.	CL 66**-*****-51