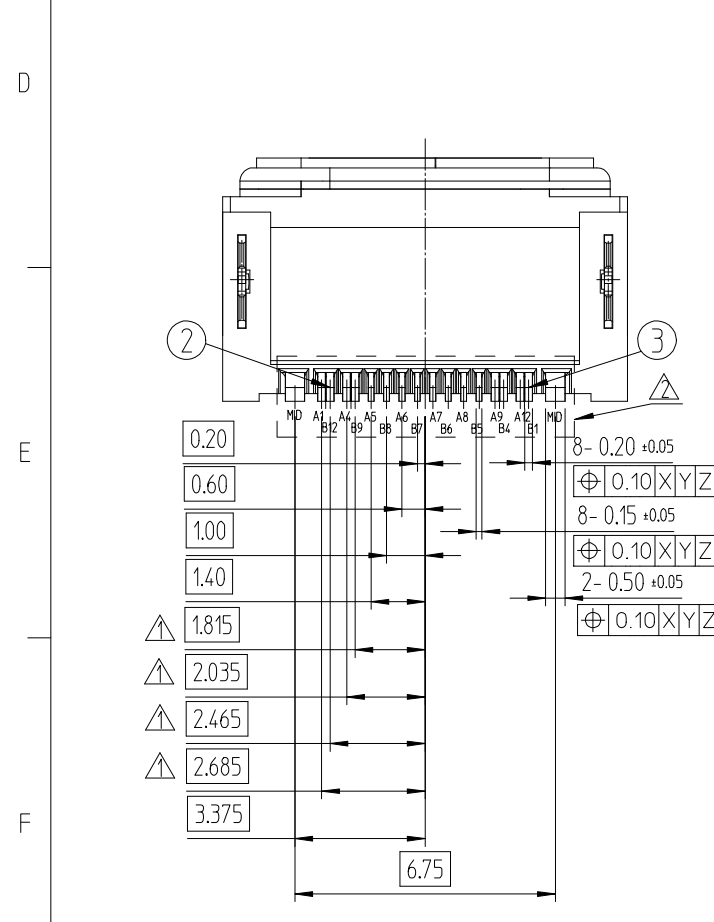
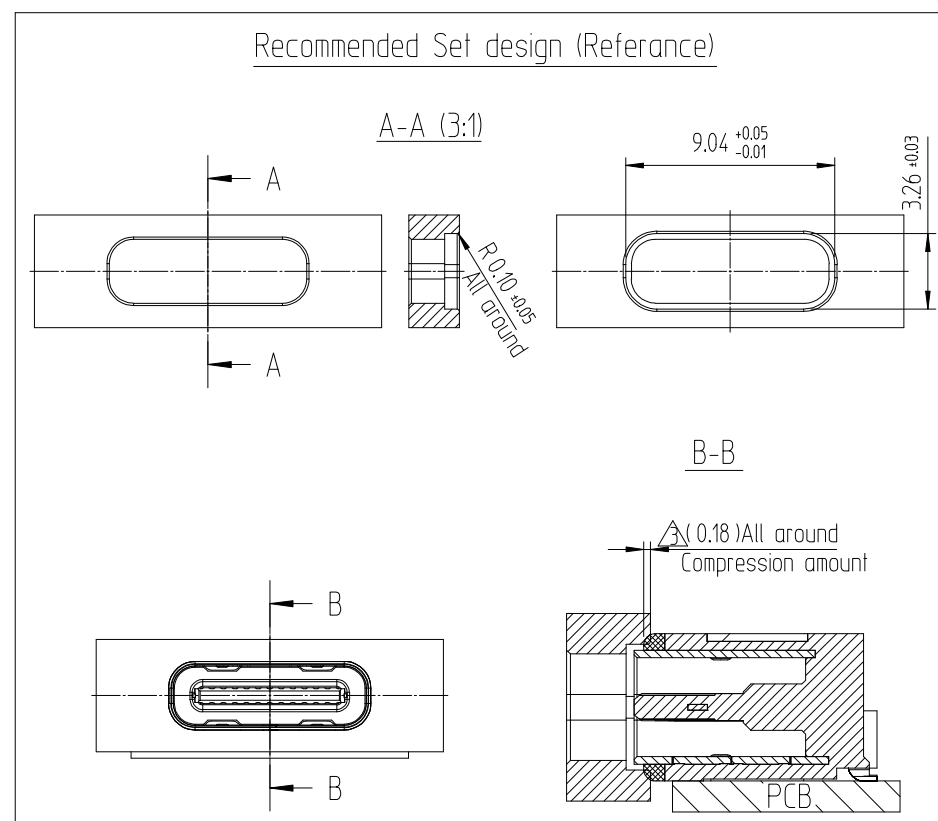
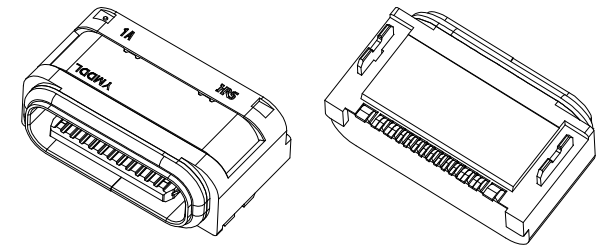
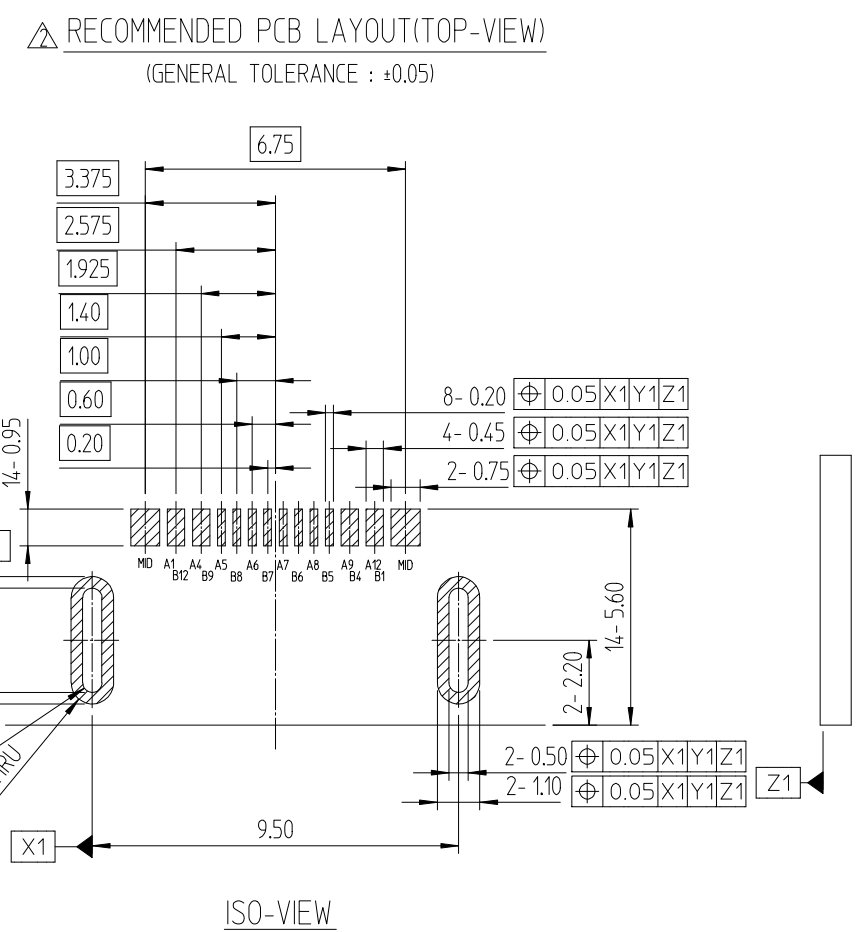
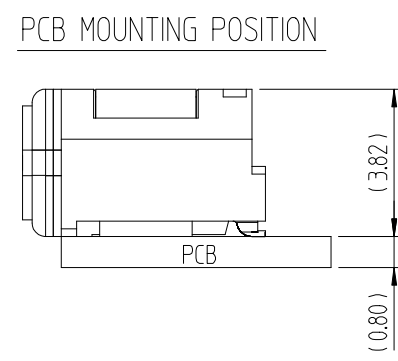
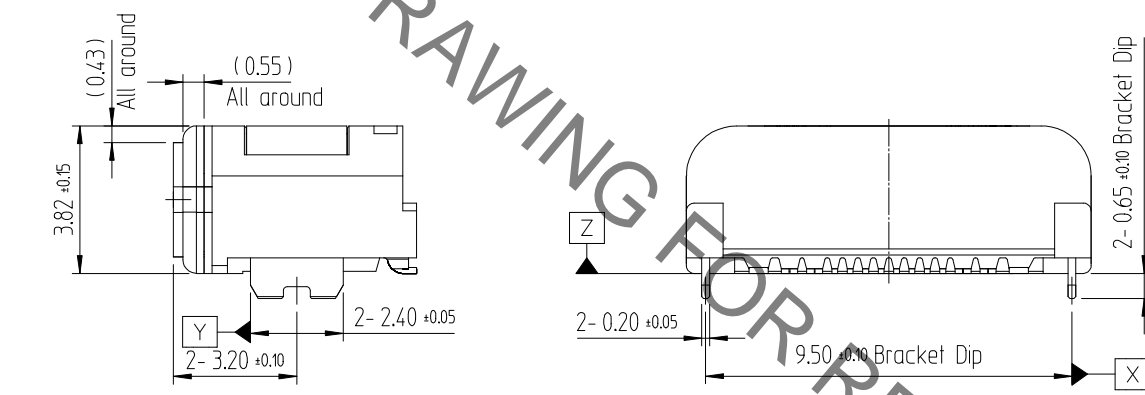
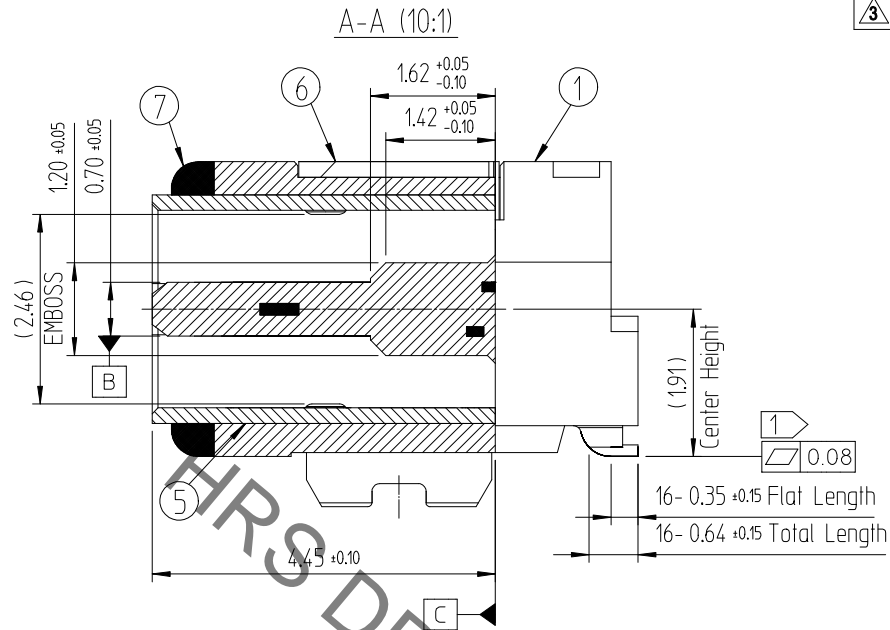
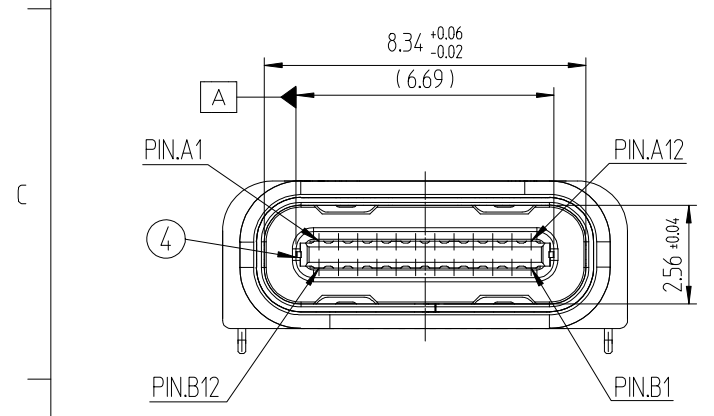
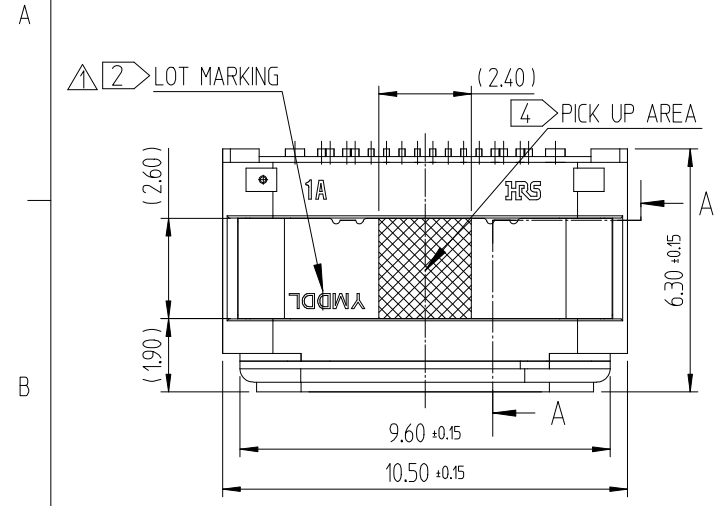


Feb.1.2023 Copyright 2023 HIROSE ELECTRIC CO., LTD. All Rights Reserved.  
In case of consideration for using Automotive equipment / device which demand high reliability, kindly contact our sales window correspondents.

訂正事項				訂正事項							
△數	DESCRIPTION OF REVISIONS	擔當	檢圖	年月日	△數	DESCRIPTION OF REVISIONS	擔當	檢圖	年月日		
COUNT		B	Y	CHKD	DATE	COUNT		B	Y	CHKD	DATE
5	Revised Drawing	PYB	LHJ	22. 07. 18							
2	RE-2-1992	PYB	LHJ	22. 09. 30							
1	RE-2-2000	PYB	LHJ	22. 10. 11							



NO.	DESCRIPTIONS	MATERIAL	FINISH	REMARKS
7	GASKET	URETHANE	RED COLOR	-
6	BRACKET	STAINLESS STEEL	NICKEL PLATING	-
5	SHELL	STAINLESS STEEL	CLENSING	-
4	MID PLATE	STAINLESS STEEL	SOLDER AREA : GOLD OVER NICKEL THE OTHER AREA : NICKEL PLATING	-
3	CONTACT 2ND	COPPER	CONTACT AREA : GOLD OVER NICKEL SOLDER AREA : GOLD OVER NICKEL	-
2	CONTACT 1ST	COPPER	CONTACT AREA : GOLD OVER NICKEL SOLDER AREA : GOLD OVER NICKEL	-
1	INSERT CASE	THERMOPLASTIC	BLACK COLOR	UL94V-0

CODE NO. (OLD)	DRAWN	DESIGNED	CHECKED	APPROVED	RELEASED
	Y.B.PARK 21.07.08	Y.B.PARK 21.07.08	H.J.LEE 21.07.08	H.J.LEE 21.07.08	ENG 22.10.11 DEPT

DRAWING NO.	PART NO.
EDC3-633131-00	CX90BW-16P

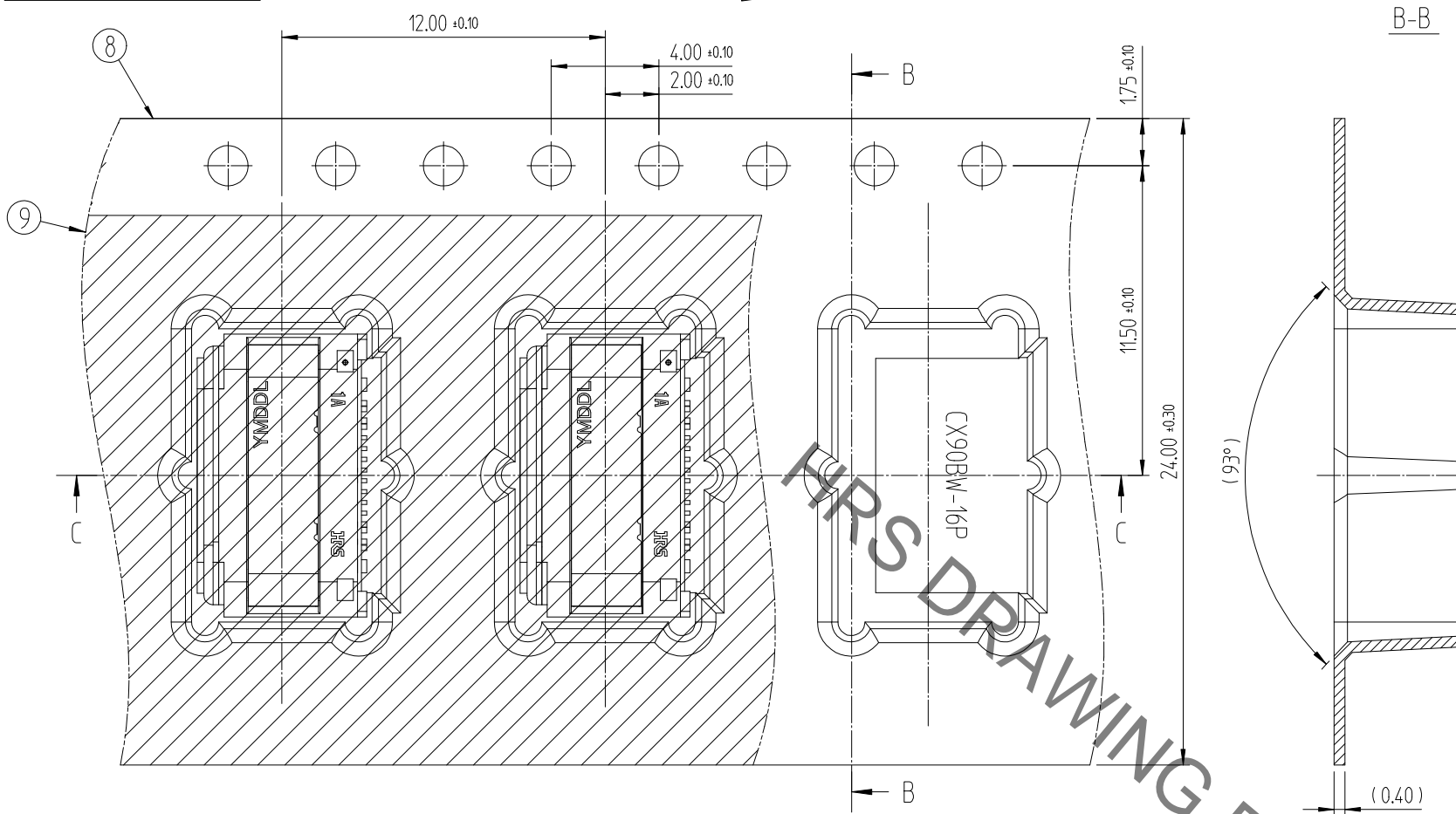
  

SCALE	UNITS	CODE NO.
5:1	mm	CL 6246-0002-0

Feb.1.2023 Copyright 2023 HIROSE ELECTRIC CO., LTD. All Rights Reserved.  
In case of consideration for using Automotive equipment / device which demand high reliability, kindly contact our sales window correspondents.

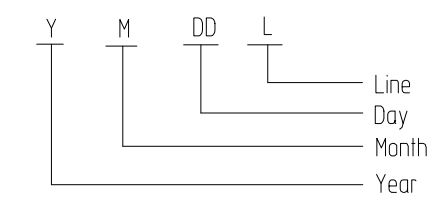
DRAWING FOR PACKING

DIRECTION OF UNREELING



[NOTE]

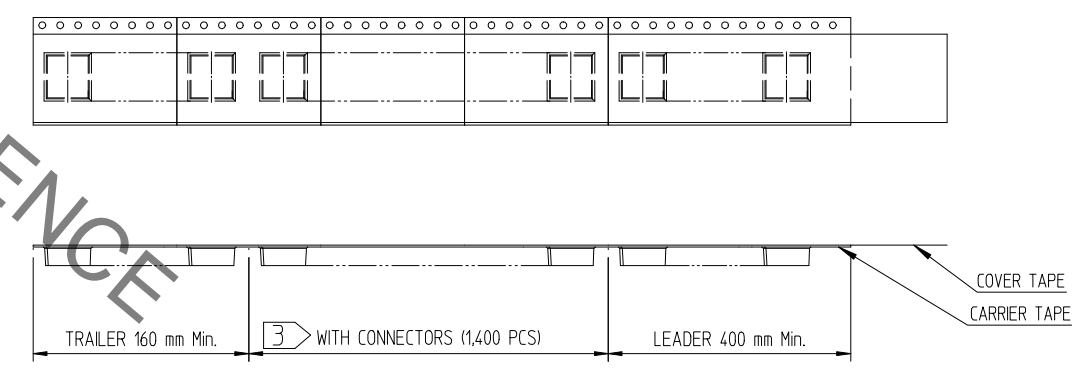
- ① Co-planarity  
- Pin : 0.08MAX Before Reflow , 0.10MAX After Reflow 2times
- ② Lot marking : 5 digits (YMDDL)



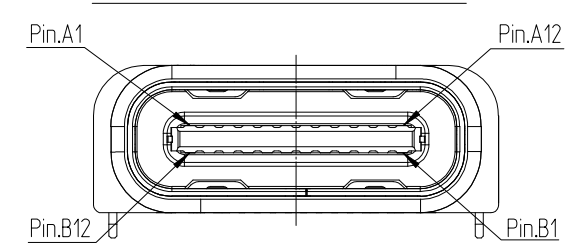
[Chart-1] LOT MARKING

Year	Month	Day	Production Line	Ex. Mark	MARK
2020	0	Jan. 1	1st 01	Sample	S
2021	1	Feb. 2	2nd 02	MP Manual#1	1
2022	2	Mar. 3	3th 03	MP Manual#2	2
2023	3	Apr. 4	4th 04	MP Manual#3	3
2024	4	May 5	5th 05	MP Manual#4	4
2025	5	Jun. 6	6th 06	...	...
2026	6	Jul. 7	7th 07	MP Auto#1	A
2027	7	Aug. 8	8th 08	MP Auto#2	B
2028	8	Sep. 9	9th 09	MP Auto#3	C
2029	9	Oct. A	10th 10	MP Auto#4	D
		Nov. B	11th 11	MP Auto#5	E
		Dec. C	...	...	...

- 3. Carrier tape packing  
Packing quantity : 1,400EA/REEL  
Cover tape peeling force : 30~100gf(0.3~1.0N) @ 300mm/min

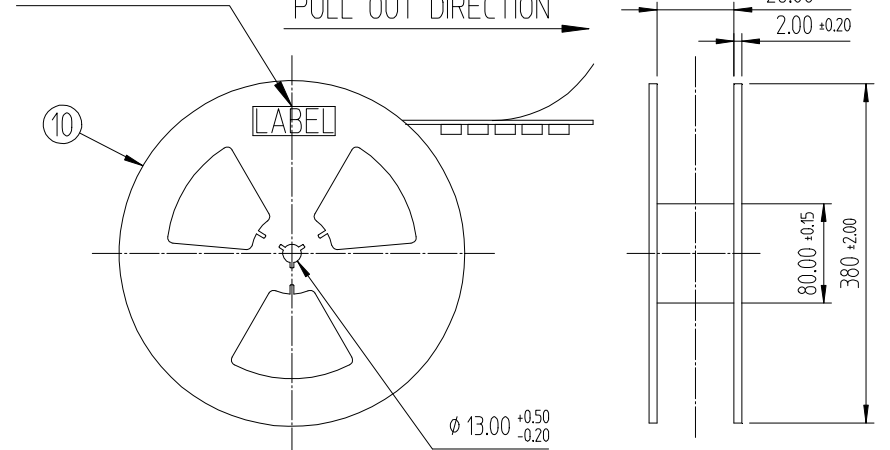


PIN ASSIGNMENT(FRONT-VIEW)



A1	A2	A3	A4	A5	A6	A7	A8	A9	A10	A11	A12
GND		Vbus	CC1	D+	D-	SBU1	Vbus				GND
GND		Vbus	SBU2	D-	D+	CC2	Vbus				GND
B12	B11	B10	B9	B8	B7	B6	B5	B4	B3	B2	B1

LABEL POSITION



④ PICKUP AREA

NO.	DESCRIPTIONS	MATERIAL	FINISH	REMARKS
10	REEL BOBBIN	PS	-	-
9	COVER TAPE	PET	-	-
8	EMBOSS TAPE	PS	Thermo-Comperssion Sealing	-

SCALE	3:1	DRAWING NO.	EDC3-633131-00	PART NO.	CX90BW-16P
UNITS	mm	HIROSE KOREA CO.,LTD.		CODE NO	CL 6246-0002-0