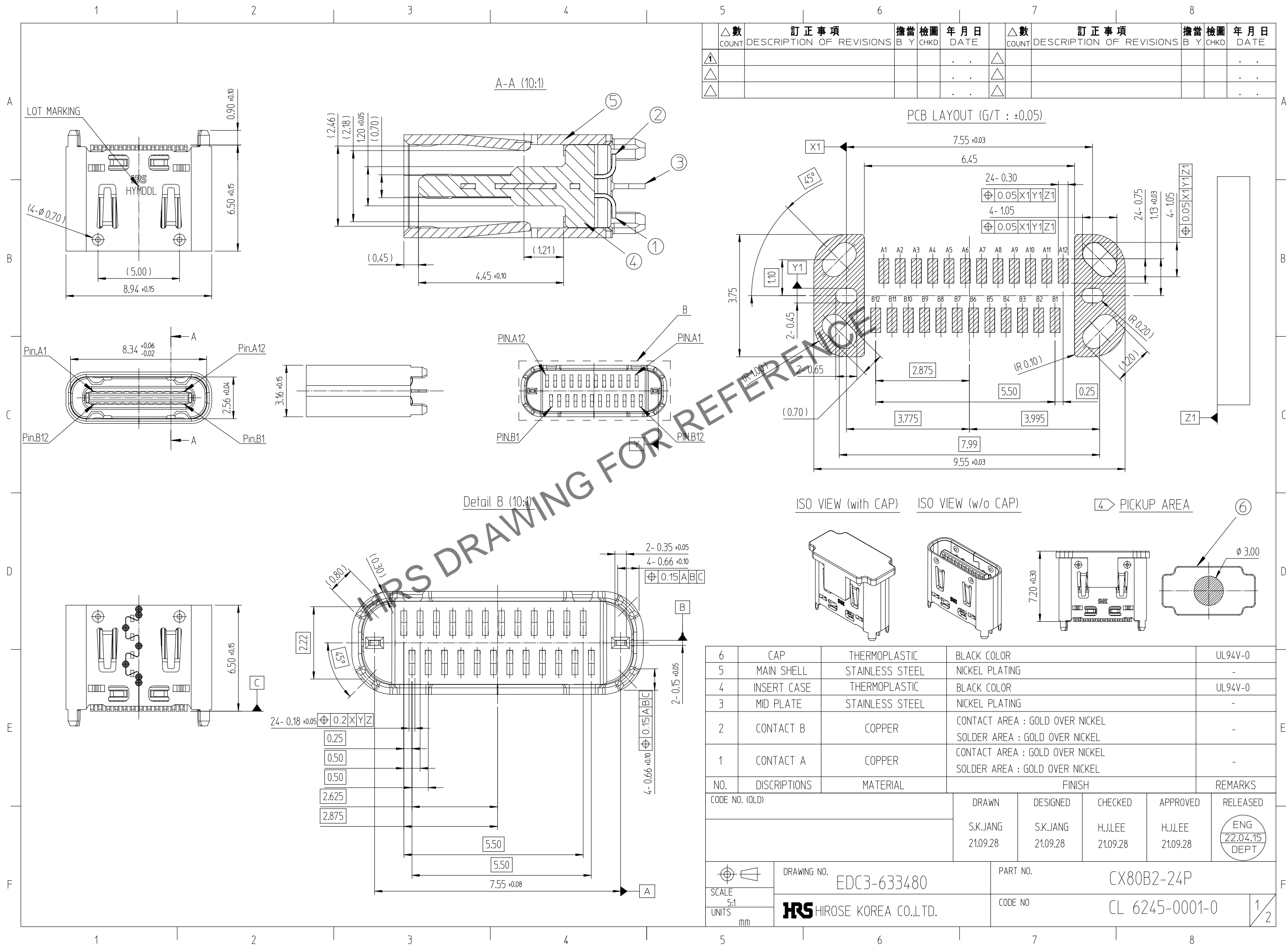


Apr.1.2025 Copyright 2025 HIROSE ELECTRIC CO., LTD. All Rights Reserved.
In case of consideration for using Automotive equipment / device which demand high reliability, kindly contact our sales window correspondents.



△數 COUNT	訂正事項 DESCRIPTION OF REVISIONS	擔當 B	檢圖 CHKD	年月日 DATE	△數 COUNT	訂正事項 DESCRIPTION OF REVISIONS	擔當 B	檢圖 CHKD	年月日 DATE
1					△				
△					△				
△					△				

NO.	DISCRIPTIONS	MATERIAL	FINISH	REMARKS
6	CAP	THERMOPLASTIC	BLACK COLOR	UL94V-0
5	MAIN SHELL	STAINLESS STEEL	NICKEL PLATING	-
4	INSERT CASE	THERMOPLASTIC	BLACK COLOR	UL94V-0
3	MID PLATE	STAINLESS STEEL	NICKEL PLATING	-
2	CONTACT B	COPPER	CONTACT AREA : GOLD OVER NICKEL SOLDER AREA : GOLD OVER NICKEL	-
1	CONTACT A	COPPER	CONTACT AREA : GOLD OVER NICKEL SOLDER AREA : GOLD OVER NICKEL	-

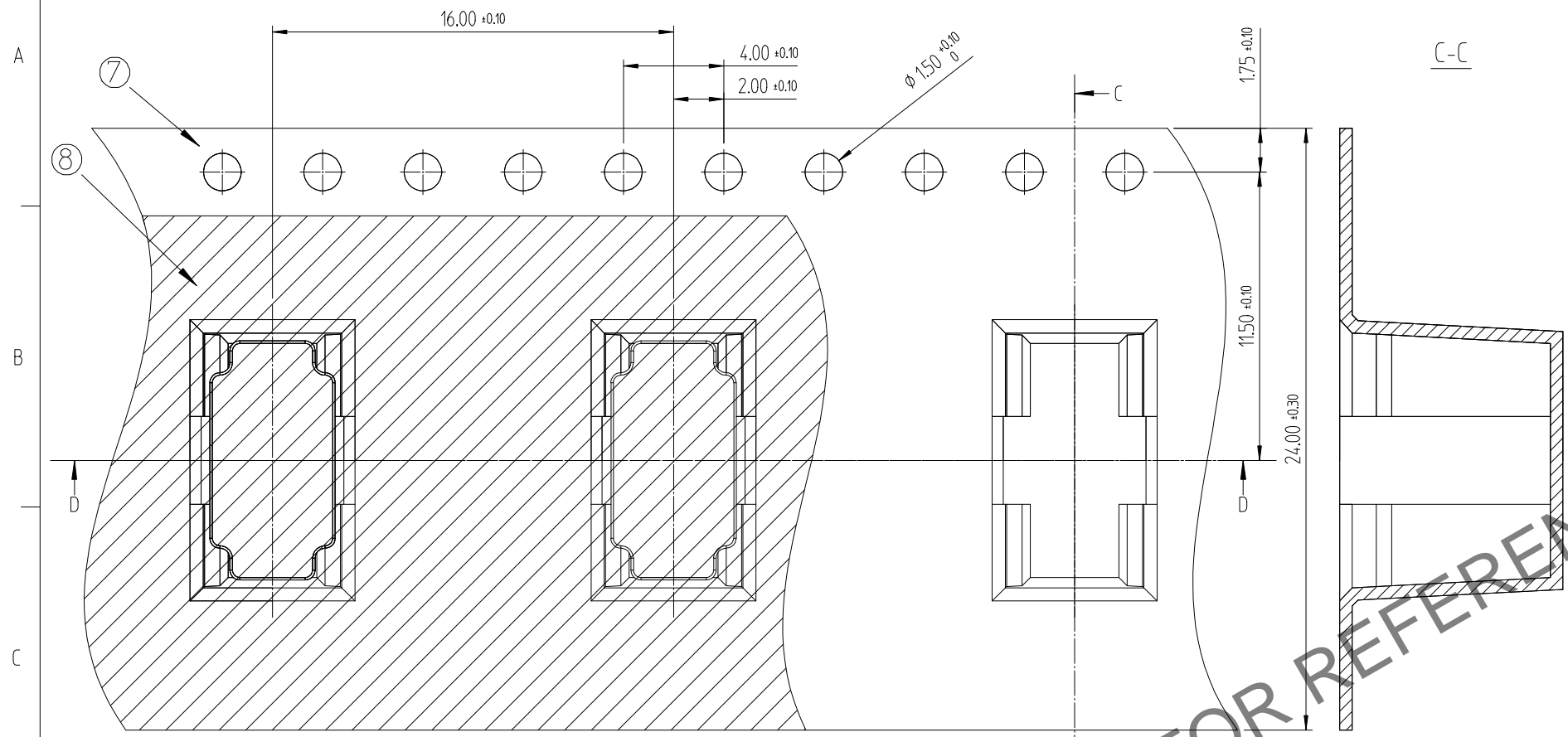
CODE NO. (OLD)		DRAWN	DESIGNED	CHECKED	APPROVED	RELEASED
		S.K.JANG 21.09.28	S.K.JANG 21.09.28	H.J.LEE 21.09.28	H.J.LEE 21.09.28	ENG 22.04.15 DEPT
DRAWING NO. EDC3-633480		PART NO. CX80B2-24P				
SCALE 5:1 UNITS mm		CODE NO. CL 6245-0001-0				1/2

HRS DRAWING FOR REFERENCE

Apr.1.2025 Copyright 2025 HIROSE ELECTRIC CO., LTD. All Rights Reserved.
In case of consideration for using Automotive equipment / device which demand high reliability, kindly contact our sales window correspondents.

DRAWING FOR PACKING

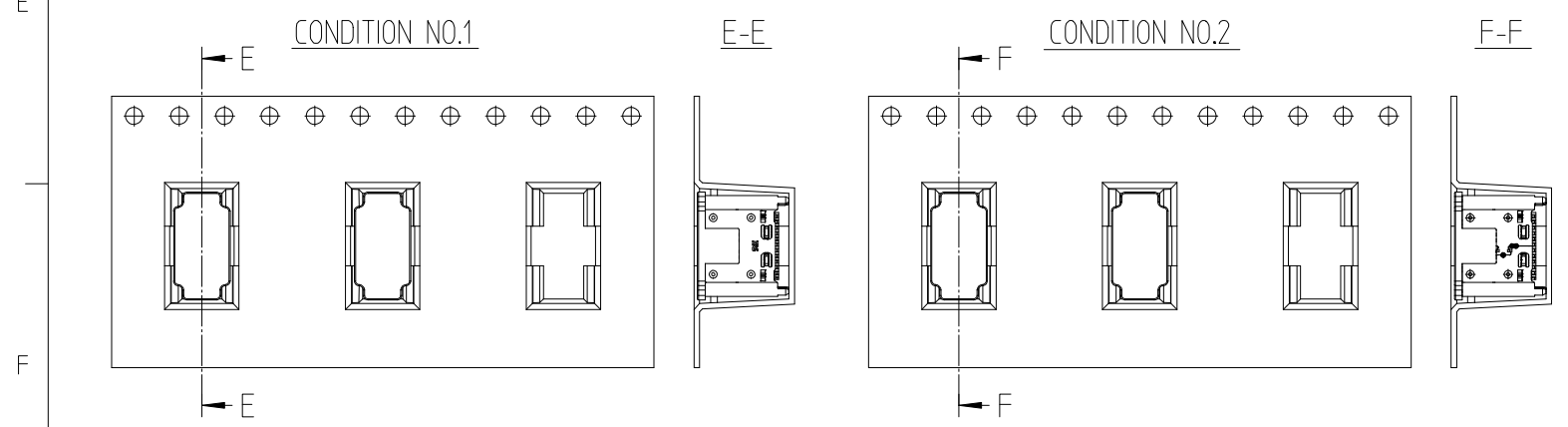
DIRECTION OF UNREELING



PIN ASSIGNMENT(FRONT-VIEW)

A1	A2	A3	A4	A5	A6	A7	A8	A9	A10	A11	A12
GND	TX1+	TX1-	Vbus	CC1	D+	D-	SBU1	Vbus	RX2-	RX2+	GND
B12	B11	B10	B9	B8	B7	B6	B5	B4	B3	B2	B1

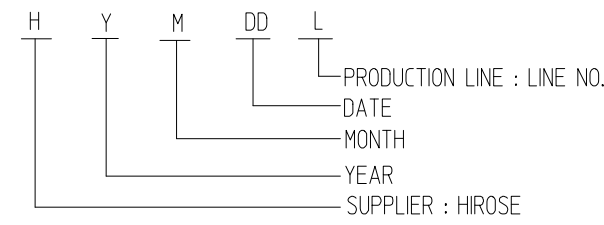
PACKING CONDITION



[NOTE]

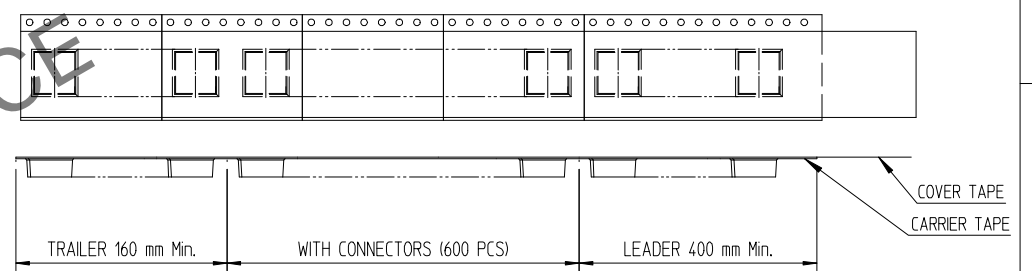
1) Co-planarity of all contact tails
- 0.08MAX Before Reflow , 0.10MAX After Reflow 2times

2) Lot marking : 6 digits (HYMDDL)



MARKER	YEAR	MONTH	DAY	LINE	MARK
	2017	7	JAN	1 1st	01 MANUAL M
	2018	8	FEB	2 2nd	02 AUTO 1 1
	2019	9	MAR	3 3th	03 AUTO 2 2
	2020	0	APR	4 4th	04 AUTO 3 3
	2021	1	MAY	5 5th	05
	2022	2	JUN	6 6th	06
	2023	3	JUL	7 7th	07
	2024	4	AUG	8 8th	08
	2025	5	SEP	9 9th	09
	2026	6	OCT	A 10th	10
			NOV	B 11th	11
			DEC	C

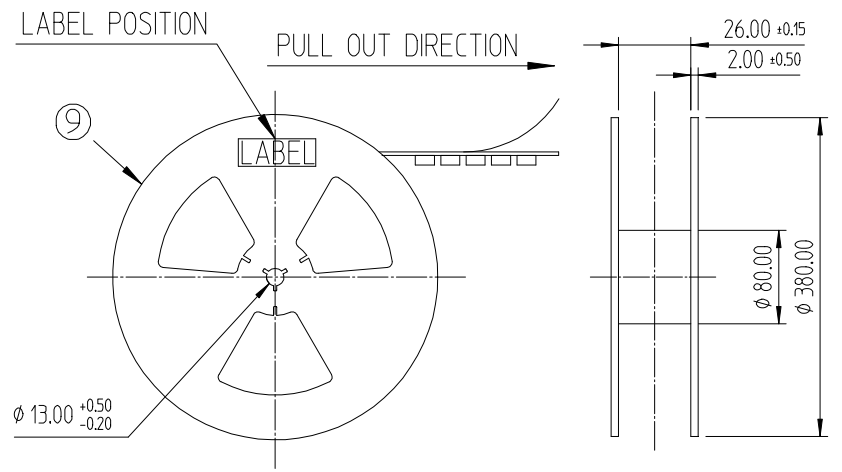
3. Carrier tape packing
Packing quantity : 600EA/REEL
Cover tape peeling force : 30~100gf(0.3~1.0N) @ 300mm/min



4) PICKUP AREA

5. APPLICABLE MASK
THICKNESS : 0.10mm
OPEN RATE : 120%

6) PACKING CONDITION



9	REEL BOBBIN	PS	-	-
8	COVER TAPE	PET	-	-
7	EMBOSS TAPE	PS	-	-
NO.	DISCRIPTIONS	MATERIAL	FINISH	REMARKS
	DRAWING NO.	EDC3-633480		PART NO. CX80B2-24P
	SCALE	4:1		CODE NO CL 6245-0001-0
	UNITS	mm		2/2
		HRS HIROSE KOREA CO.,LTD.		