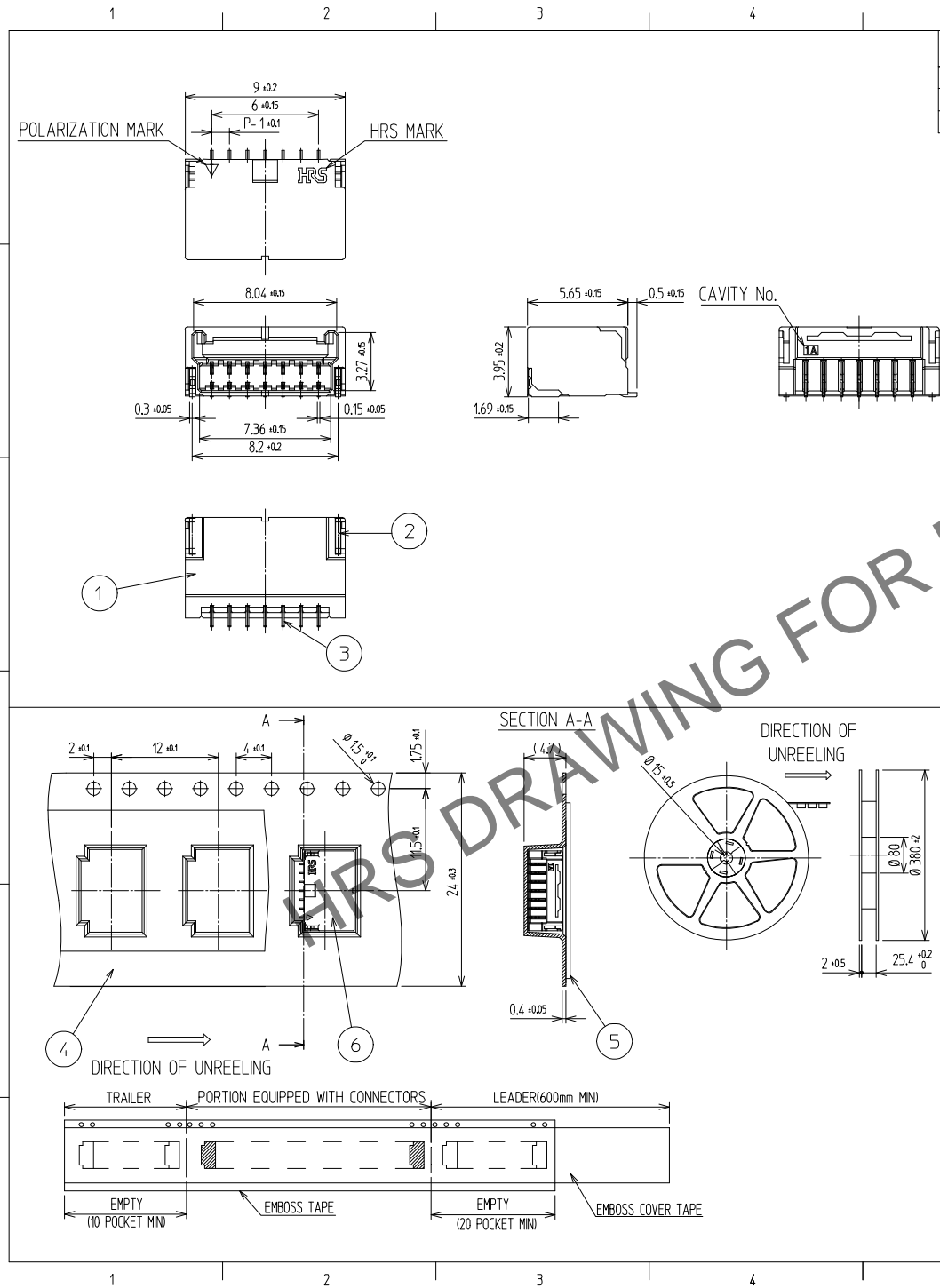
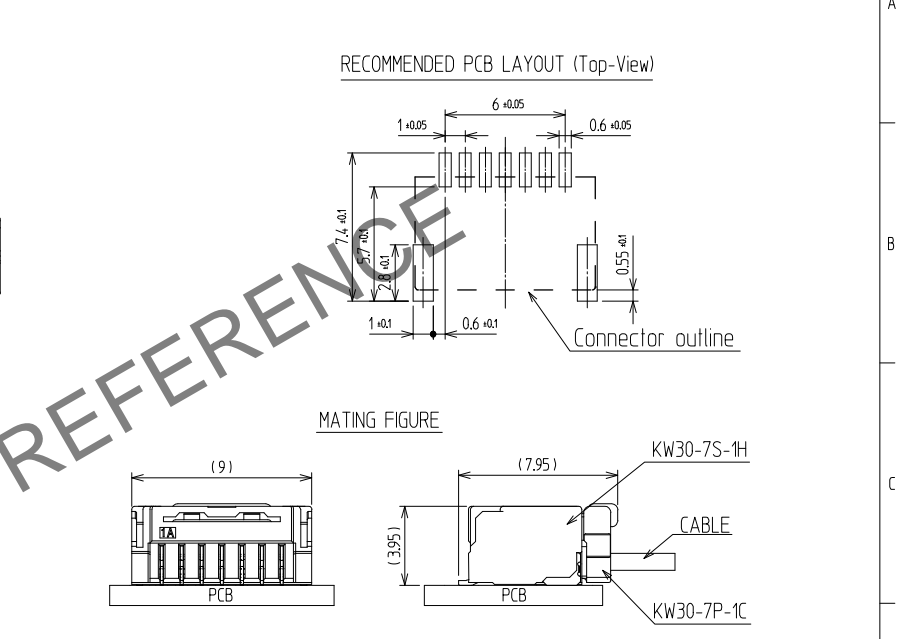


Feb. 1. 2025 Copyright 2025 HIROSE ELECTRIC CO., LTD. All Rights Reserved.
 use of consideration for using Automotive equipment / device which demand high reliability, kindly contact our sales window correspond



△數 COUNT	訂正事項 DISCRPTION OF REVISIONS	擔當 B	檢圖 Y	年月日 DATE	△數 COUNT	訂正事項 DISCRPTION OF REVISIONS	擔當 B	檢圖 Y	年月日 DATE
△				.	△				.
△				.	△				.
△				.	△				.



NOTE

- LEAD CO-PLANARITY SHALL BE 0.1mmMAX
- 1REEL : 1,500EA CONNECTORS
- UL(File No. E132750) AUTHORIZATION ARTICLE.
C-UL(File No. E132750) AUTHORIZATION ARTICLE.

CRUS

3	COPPER ALLOY	CONTACT AREA : GOLD 0.2μm MIN. SMT LEAD : GOLD 0.05μm MIN. UNDER PLATING : NICKEL 1μm MIN.	6	CONNECTOR	KW30-7S-1H	
2	PHOSPHOR BRONZE	Sn PLATED	5	PET	COVER TAPE	
1	LCP	UL94-V0, BLACK	4	PS	EMBOSSED CARRIER TAPE	
NO.	MATERIAL	FINISH,REMARKS	NO.	MATERIAL	FINISH,REMARKS	
CODE NO. (OLD)		DRAWN	DESIGNED	CHECKED	APPROVED	RELEASED
		SHIN 22.09.02 J.H	SHIN 22.09.02 J.H	LIM 22.09.02 J.H	LIM 22.09.02 J.H	
DRAWING NO. EDC3-637887		PART NO. KW30-7S-1H (800)				
SCALE 4:1		CODE NO. CL 6669-0047-4-800				
UNITS mm		1/1				