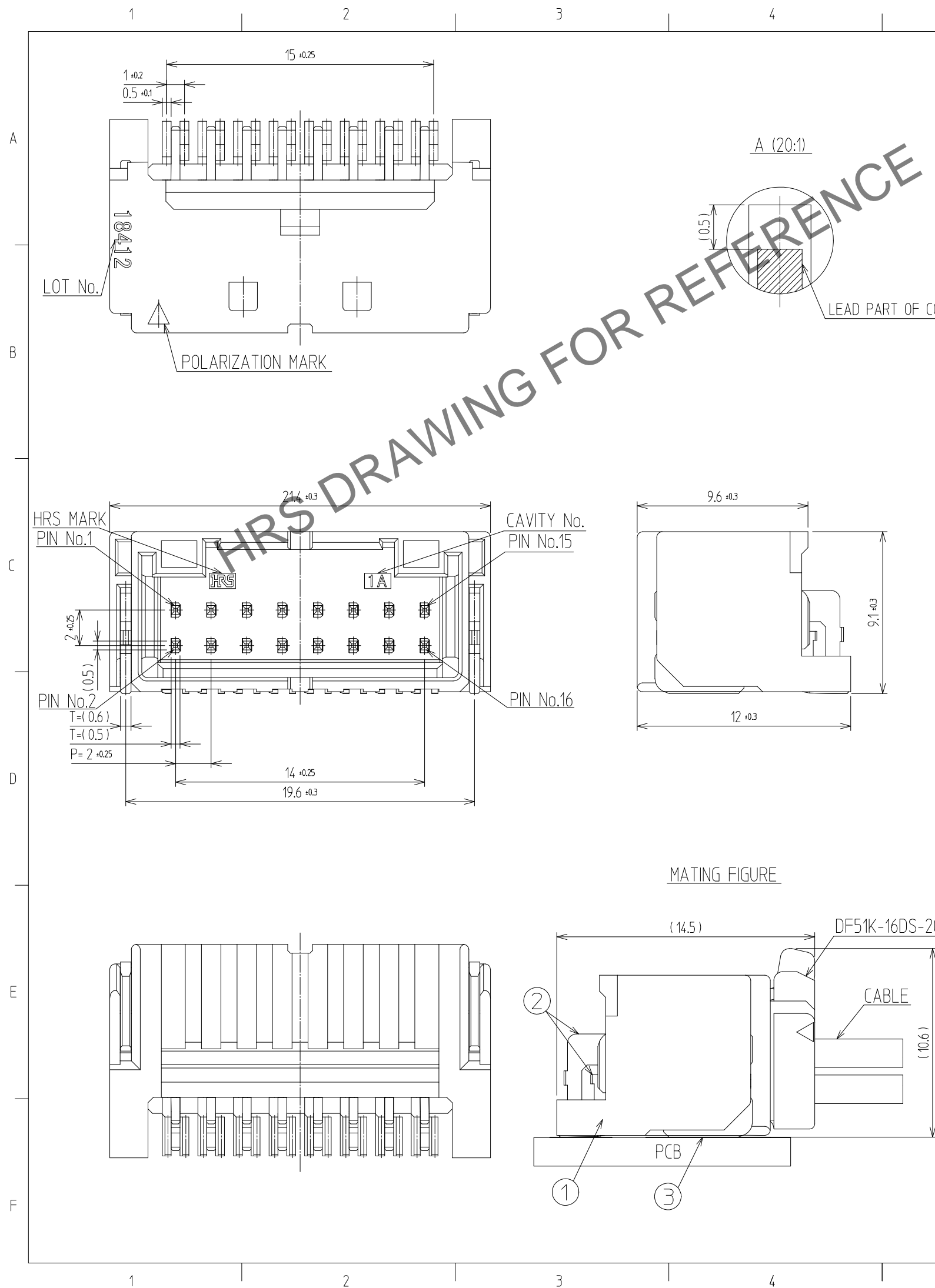
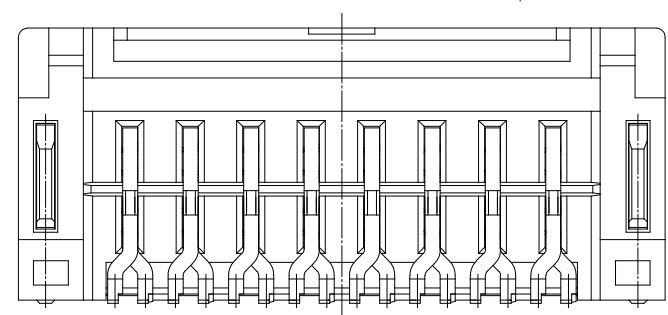
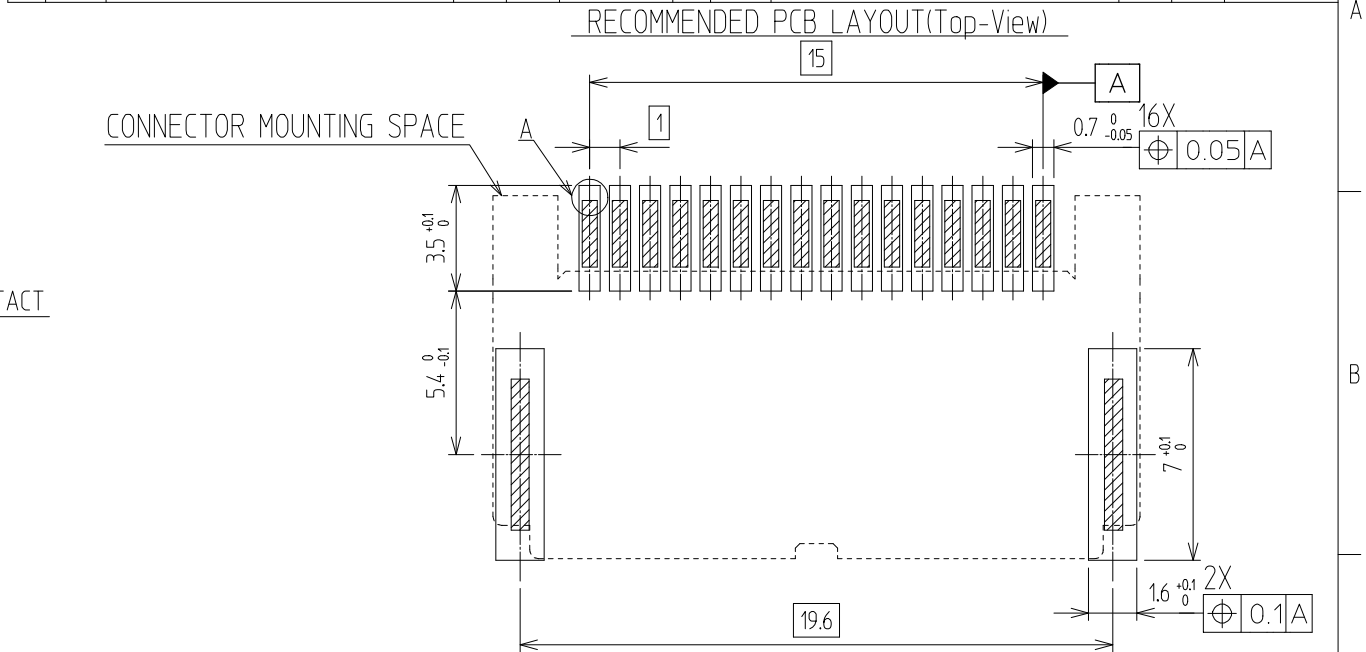


Dec.1.2024 Copyright 2024 HIROSE ELECTRIC CO., LTD. All Rights Reserved.
In case of consideration for using Automotive equipment / device which demand high reliability, kindly contact our sales window



| △數 COUNT | 訂正事項 DISCRIPTION OF REVISIONS | 擔當 B | 檢圖 CHKD | 年月日 DATE | △數 COUNT | 訂正事項 DISCRIPTION OF REVISIONS | 擔當 B | 檢圖 CHKD | 年月日 DATE |
|-------------|----------------------------------|---------|------------|-------------|-------------|----------------------------------|---------|------------|-------------|
| △ | | | | | △ | | | | |
| △ | | | | | △ | | | | |
| △ | | | | | △ | | | | |



- NOTE**
- SOLDERING TEMPERATURE : 250°C PEAK, 10sec MAX.
 - OPERATING TEMPERATURE : -55°~105°C
 - USED REFLOW SYSTEM : IN THE AIR OR NITROGEN
 - NO. OF CYCLES : 2 MAX
 - MATING PART
FEMALE : DF51K-16DS-2C
 - CO-PLANARITY : 0.12 MAX.
 - RECOMMENDED PCB THICKNESS IS 1.6mm.
 - RECOMMENDED SOLDER THICKNESS IS 0.15mm
 - UL(File No. E132750) AUTHORIZATION ARTICLE.
C-UL(File No. E132750) AUTHORIZATION ARTICLE.



| | | | | | |
|-----|----------|---|-----|-----------|---------------------|
| 3 | BRASS | TIN PLATED : 1μm MIN UNDER PLATING : NICKEL 1μm MIN | 7 | PS | REEL BOBBIN |
| 2 | BRASS | CONTACT AREA : GOLD 0.1μm MIN SMT LEAD : GOLD 0.05μm MIN UNDER PLATING : NICKEL 1μm MIN | 6 | PET | COVER TAPE |
| 1 | LCP | BLACK | 5 | CONNECTOR | DF51K-16DP-2H |
| NO. | MATERIAL | FINISH,REMARKS | 4 | PS | EMBOSS CARRIER TAPE |
| NO. | MATERIAL | FINISH,REMARKS | NO. | MATERIAL | FINISH,REMARKS |

| CODE NO. (OLD) | DRAWN | DESIGNED | CHECKED | APPROVED | RELEASED |
|----------------|------------------------|------------------------|------------------------|------------------------|---------------------------|
| | CHO 23.07.05 J.S | CHO 23.07.05 J.S | LIM 23.07.05 S.M | LIM 23.07.05 S.M | ENG 2023.07.24 DEPT |

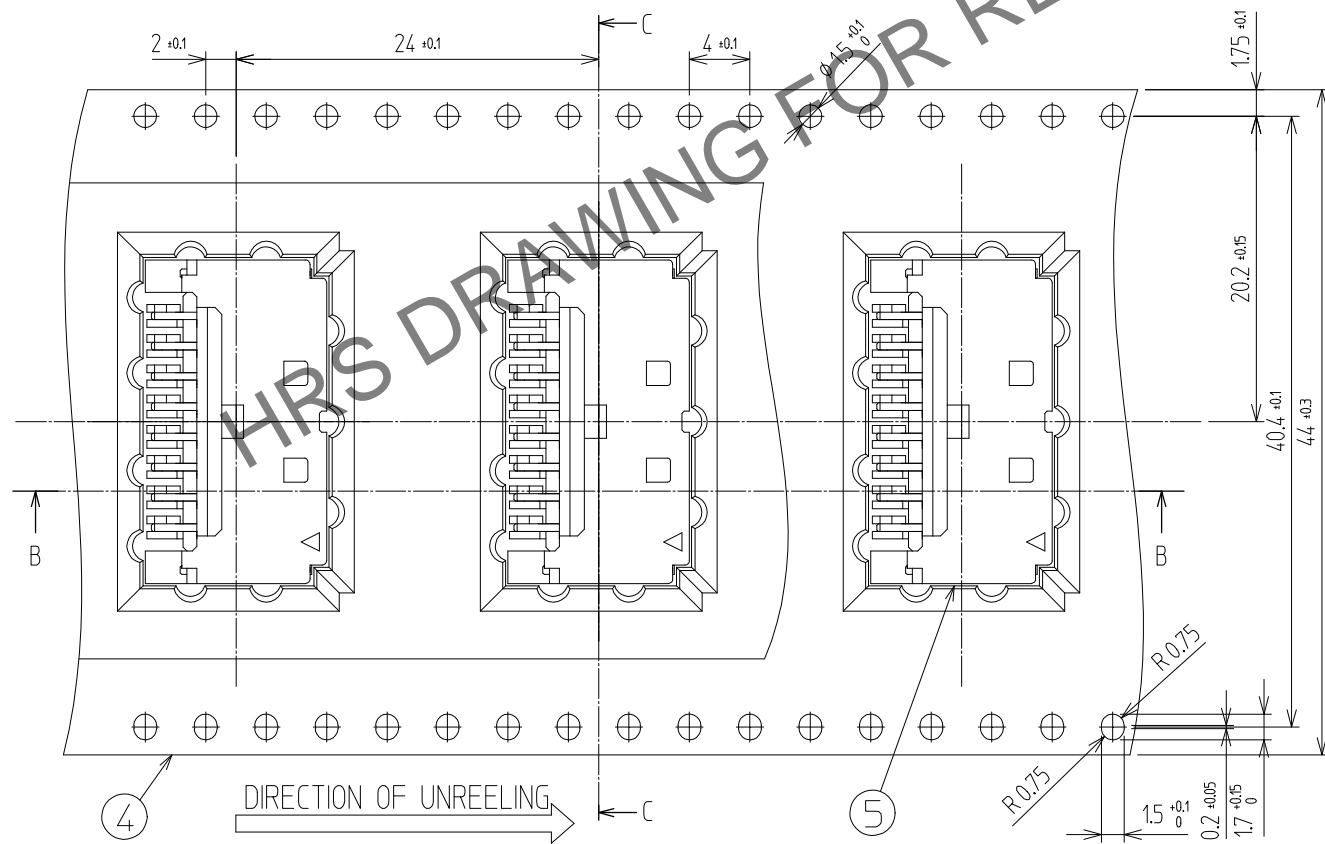
| | | |
|-----------------------------|----------------------------|---------------------------------|
| SCALE 4:1 UNITS mm | DRAWING NO. EDC3-633521 | PART NO. DF51K-16DP-2H (805) |
| | HRS HIROSE KOREA CO.,LTD. | CODE NO CL 6652-0081-0-805 |
| | | 1/2 |

Dec.1.2024 Copyright 2024 HIROSE ELECTRIC CO., LTD. All Rights Reserved.
In case of consideration for using Automotive equipment / device which demand high reliability, kindly contact our sales window

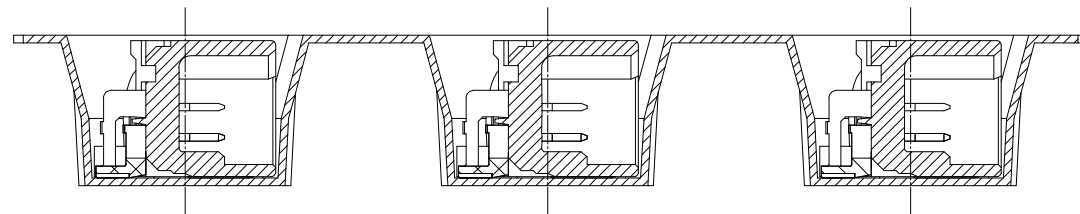
PACKING STYLE

PACKING STYLE DRAWING

EMBOSS (2:1)

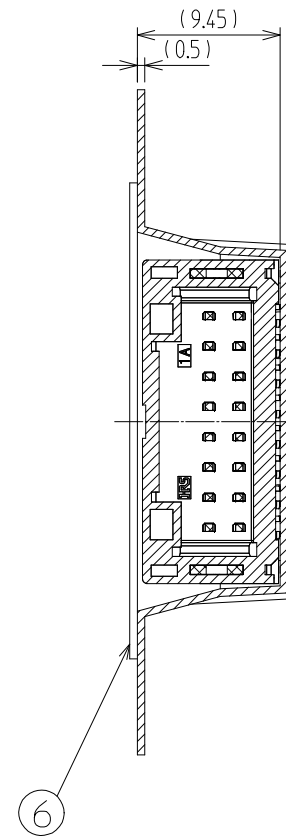


B-B (2:1)

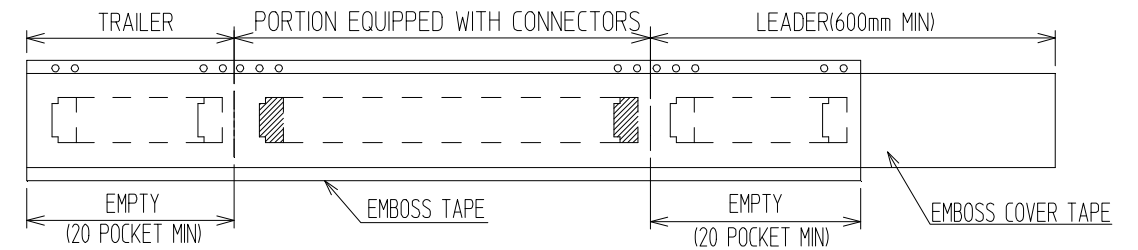
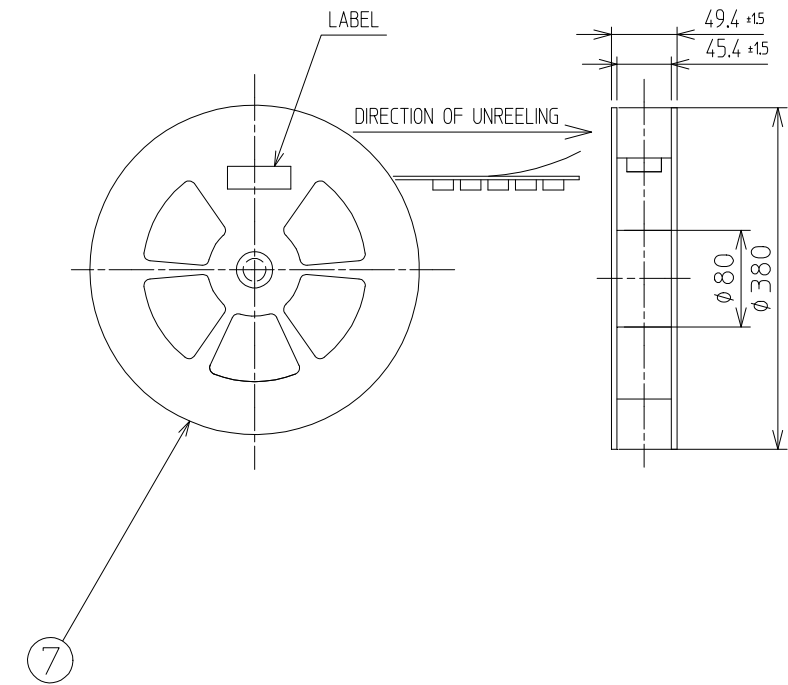


| △數 COUNT | 訂正事項 DISCRIPTION OF REVISIONS | 擔當 B | 檢圖 Y | 年月日 DATE | △數 COUNT | 訂正事項 DISCRIPTION OF REVISIONS | 擔當 B | 檢圖 Y | 年月日 DATE |
|-------------|----------------------------------|---------|---------|-------------|-------------|----------------------------------|---------|---------|-------------|
| △ | | | | .. | △ | | | | .. |
| △ | | | | .. | △ | | | | .. |
| △ | | | | .. | △ | | | | .. |

C-C (2:1)



REEL DIMINTSION (FREE)



| | | | |
|---------------------------------|----------------------------|---------------------------------|-----|
| SCALE 4:1 UNITS mm | DRAWING NO. EDC3-633521 | PART NO. DF51K-16DP-2H (805) | 2/2 |
| | HIROSE KOREA CO.,LTD. | CODE NO CL 6652-0081-0-805 | |