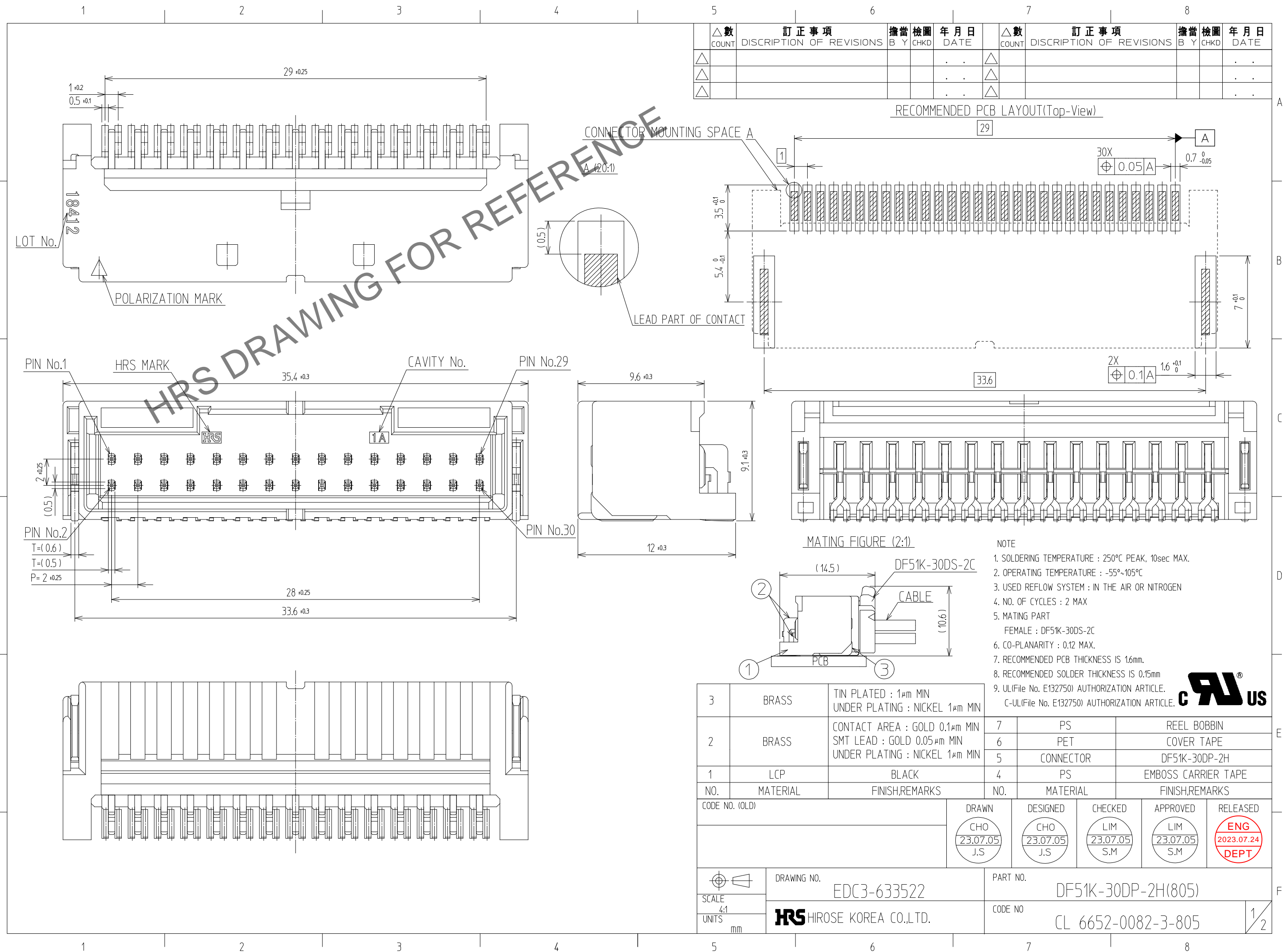


Dec.1.2024 Copyright 2024 HIROSE ELECTRIC CO., LTD. All Rights Reserved.  
In case of consideration for using Automotive equipment / device which demand high reliability, kindly contact our sales window



△數 COUNT	訂正事項 DISCRIPTION OF REVISIONS	擔當 B	檢圖 CHKD	年月日 DATE	△數 COUNT	訂正事項 DISCRIPTION OF REVISIONS	擔當 B	檢圖 CHKD	年月日 DATE
△				..	△				..
△				..	△				..
△				..	△				..

3	BRASS	TIN PLATED : 1μm MIN UNDER PLATING : NICKEL 1μm MIN	7	PS	REEL BOBBIN
2	BRASS	CONTACT AREA : GOLD 0.1μm MIN SMT LEAD : GOLD 0.05μm MIN UNDER PLATING : NICKEL 1μm MIN	6	PET	COVER TAPE
1	LCP	BLACK	5	CONNECTOR	DF51K-30DP-2H
NO.	MATERIAL	FINISH,REMARKS	4	PS	EMBOSS CARRIER TAPE
NO.	MATERIAL	FINISH,REMARKS	NO.	MATERIAL	FINISH,REMARKS

CODE NO. (OLD)	DRAWN	DESIGNED	CHECKED	APPROVED	RELEASED
	CHO 23.07.05 J.S	CHO 23.07.05 J.S	LIM 23.07.05 S.M	LIM 23.07.05 S.M	ENG 2023.07.24 DEPT

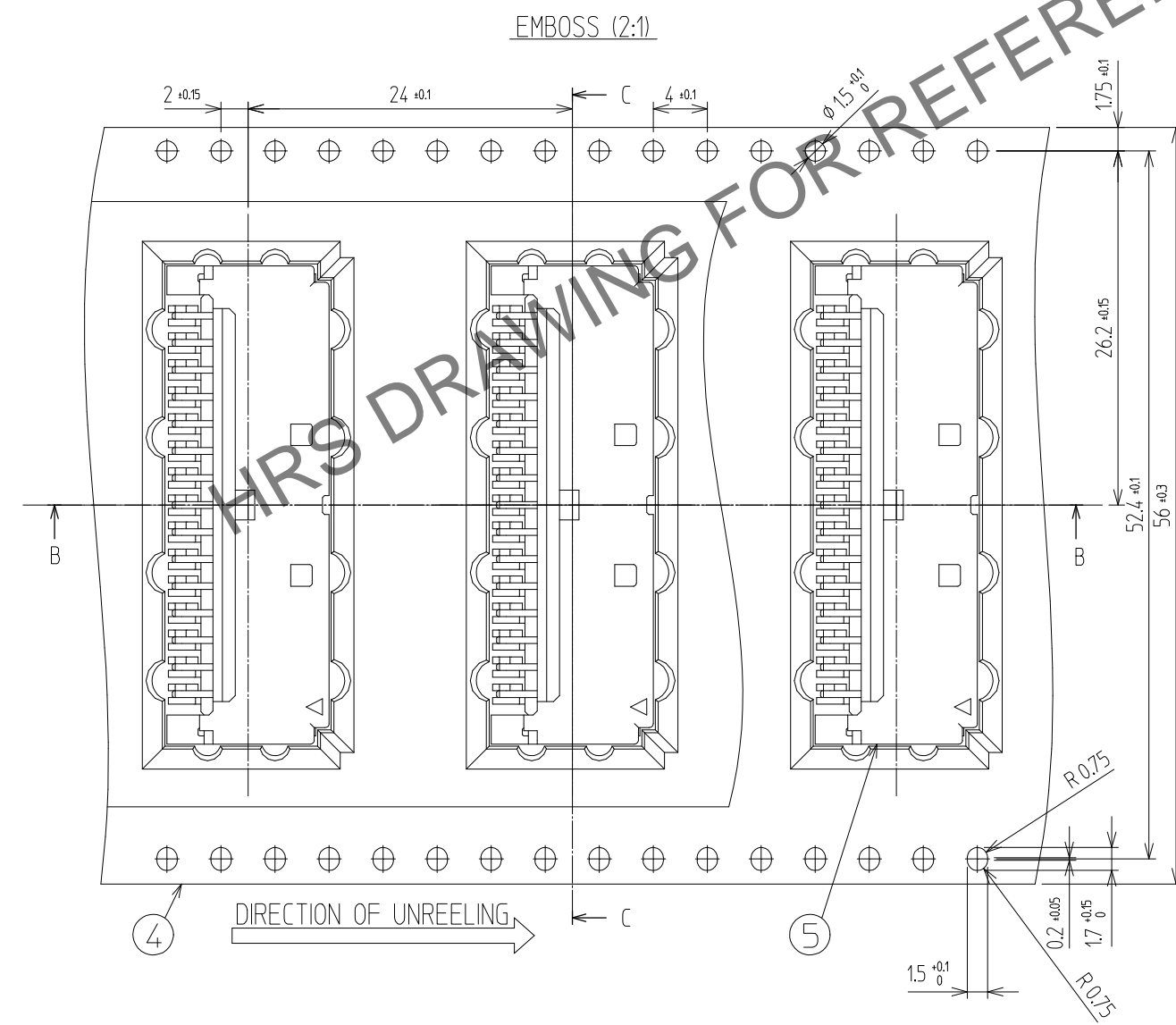
SCALE 4:1 UNITS mm	DRAWING NO. EDC3-633522	PART NO. DF51K-30DP-2H(805)
	HIROSE KOREA CO.,LTD.	CODE NO CL 6652-0082-3-805



Dec.1.2024 Copyright 2024 HIROSE ELECTRIC CO., LTD. All Rights Reserved.  
In case of consideration for using Automotive equipment / device which demand high reliability, kindly contact our sales window

# PACKING STYLE

## PACKING STYLE DRAWING

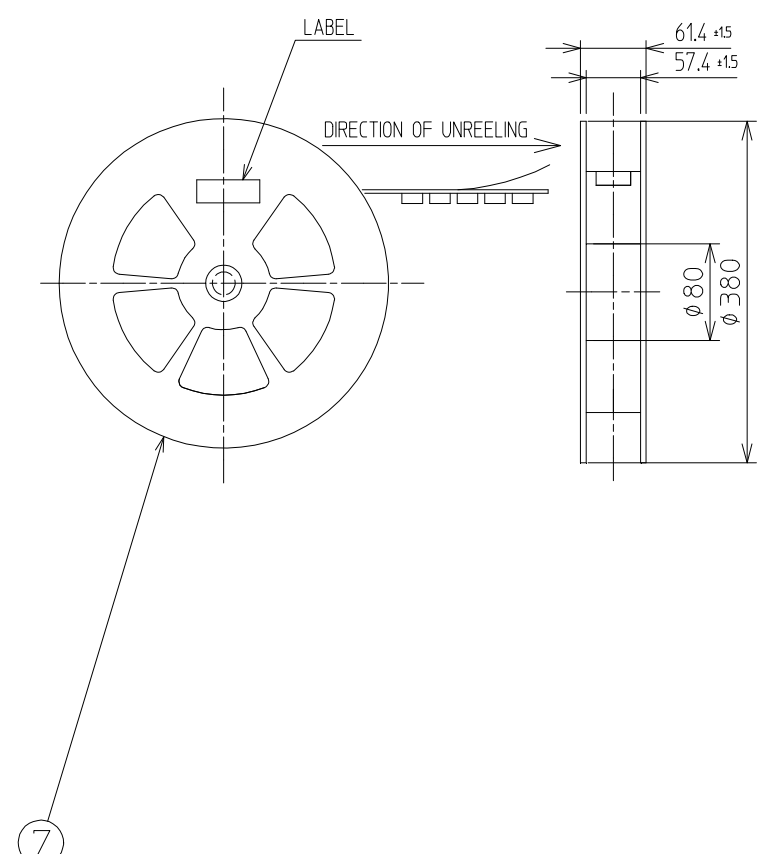
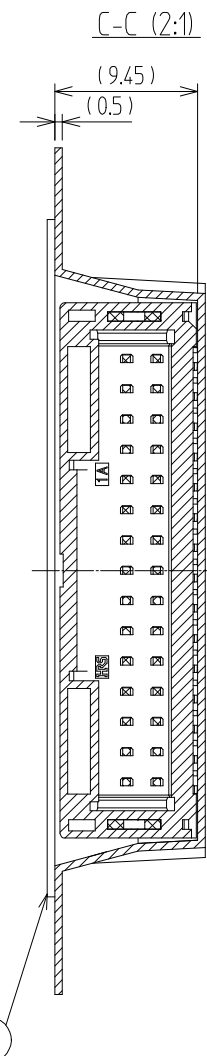


HRS DRAWING FOR REFERENCE

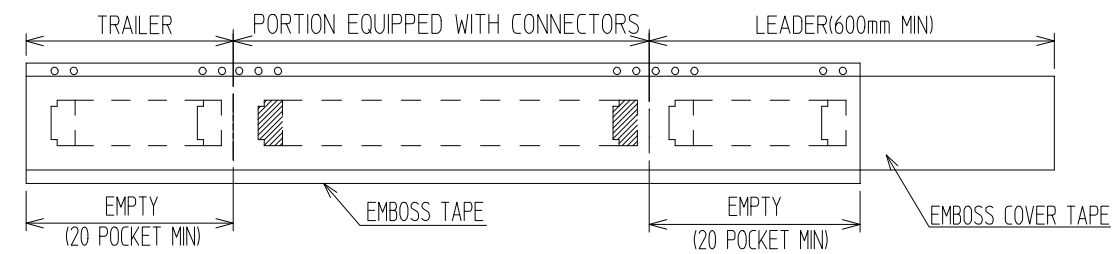
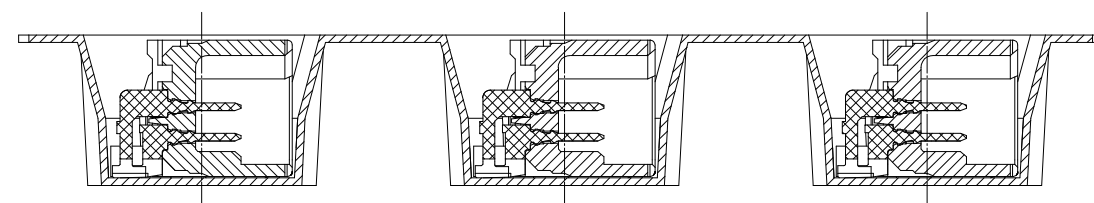
EMBOSS (2:1)

△數 COUNT	訂正事項 DISCRPTION OF REVISIONS	擔當 B	檢圖 Y	年月日 DATE	△數 COUNT	訂正事項 DISCRPTION OF REVISIONS	擔當 B	檢圖 Y	年月日 DATE
△				..	△				..
△				..	△				..
△				..	△				..

## REEL DIMINTSION (FREE)



B-B (2:1)



 SCALE 4:1 UNITS mm	DRAWING NO. EDC3-633522	PART NO. DF51K-30DP-2H(805)	2 2
	 HIROSE KOREA CO.,LTD.	CODE NO CL 6652-0082-3-805	