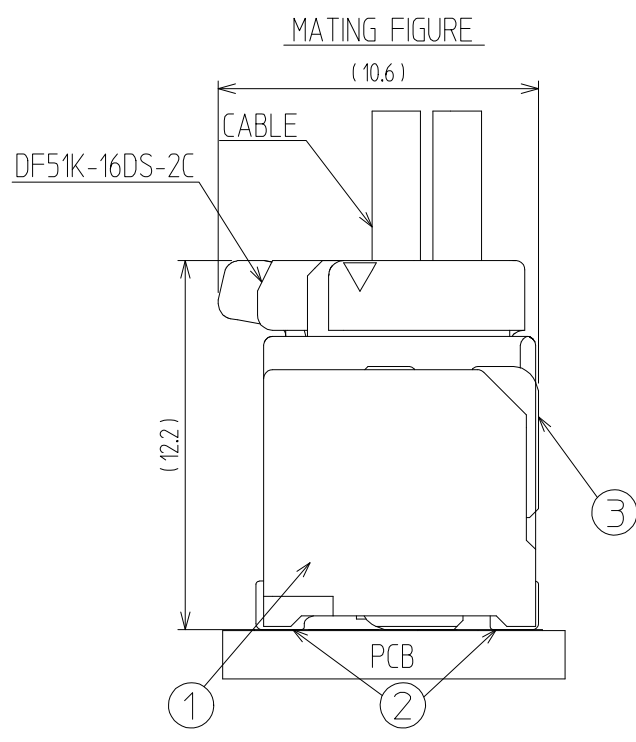
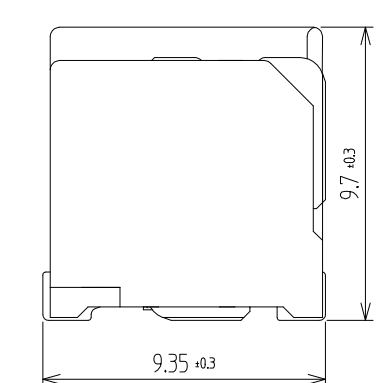
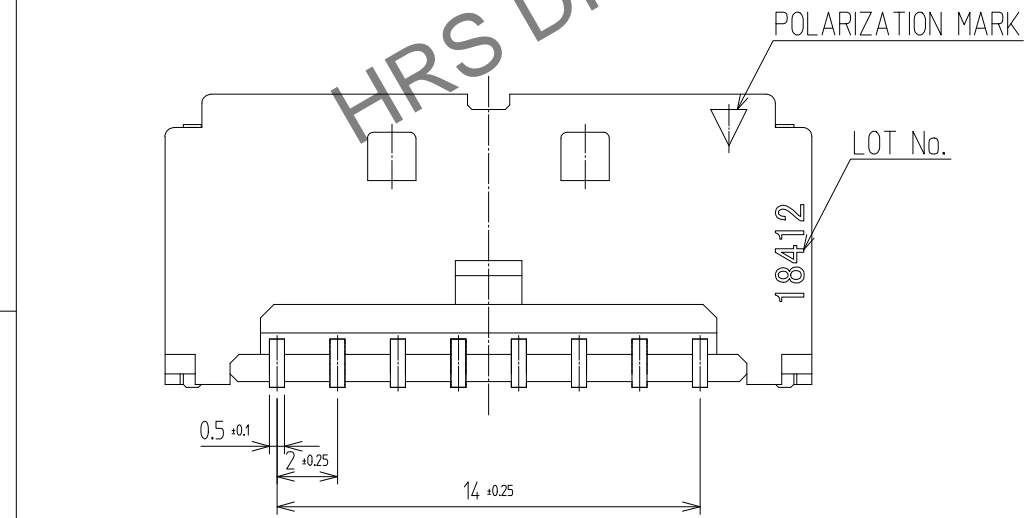
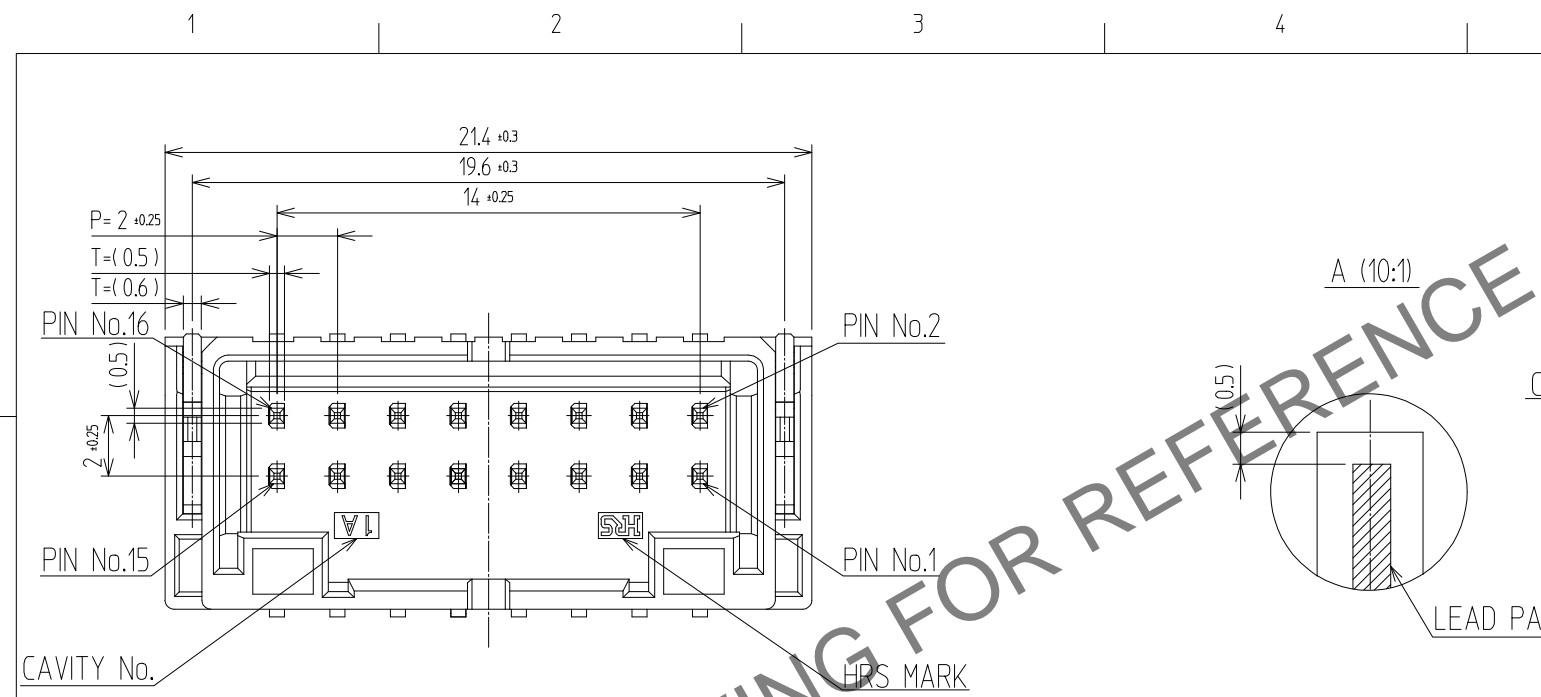
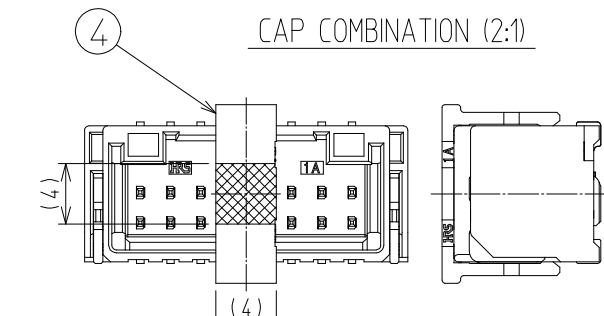
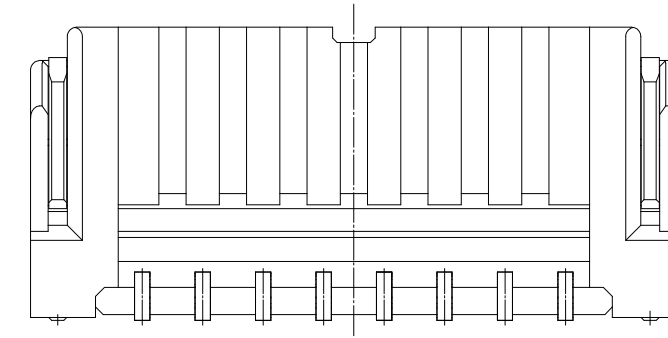
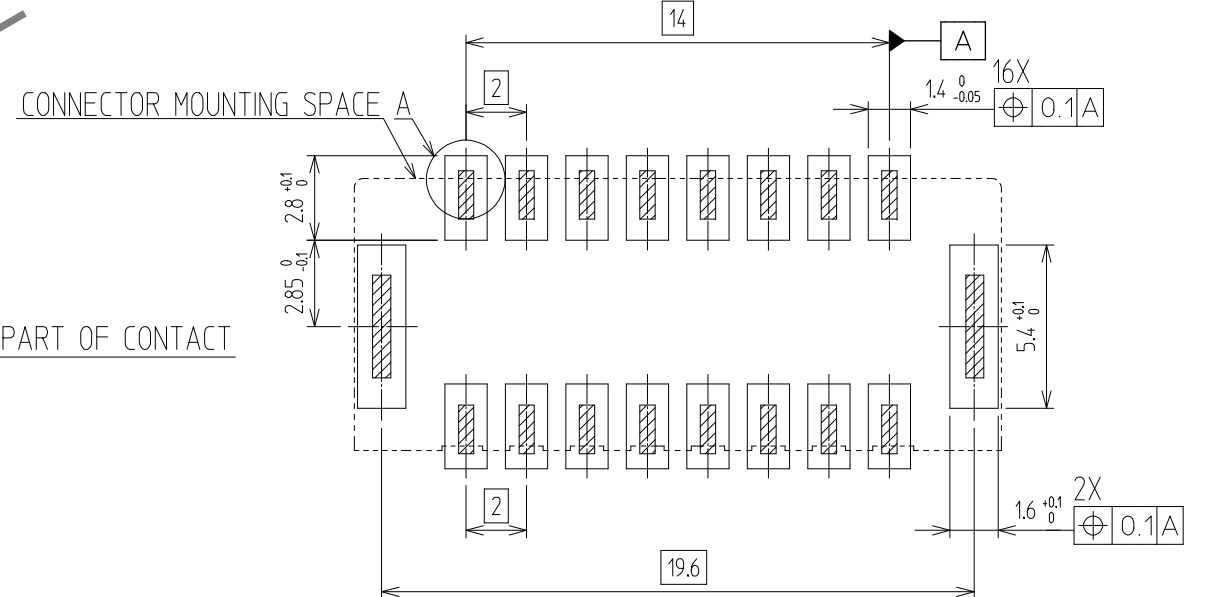


Apr.1.2024 Copyright 2024 HIROSE ELECTRIC CO., LTD. All Rights Reserved.
In case of consideration for using Automotive equipment / device which demand high reliability, kindly contact our sales window



△數 COUNT	訂正事項 DISCUSSION OF REVISIONS	擔當 B	檢圖 CHKD	年月日 DATE	△數 COUNT	訂正事項 DISCUSSION OF REVISIONS	擔當 B	檢圖 CHKD	年月日 DATE
1	RE-6-3383	K.H.R	L.S.M	24. 01. 16					

RECOMMENDED PCB LAYOUT (Top-View)



- NOTE
- SOLDERING TEMPERATURE : 250°C PEAK, 10sec MAX.
 - OPERATING TEMPERATURE : -55°~105°C
 - USED REFLOW SYSTEM : IN THE AIR OR NITROGEN
 - NO. OF CYCLES : 2 MAX
 - MATING PART
FEMALE : DF51K-16DS-2C
 - CO-PLANARITY : 0.12 MAX.
 - RECOMMENDED PCB THICKNESS IS 1.6mm.
 - RECOMMENDED SOLDER THICKNESS IS 0.15mm
 - UL(File No. E132750) AUTHORIZATION ARTICLE.
C-UL(File No. E132750) AUTHORIZATION ARTICLE.



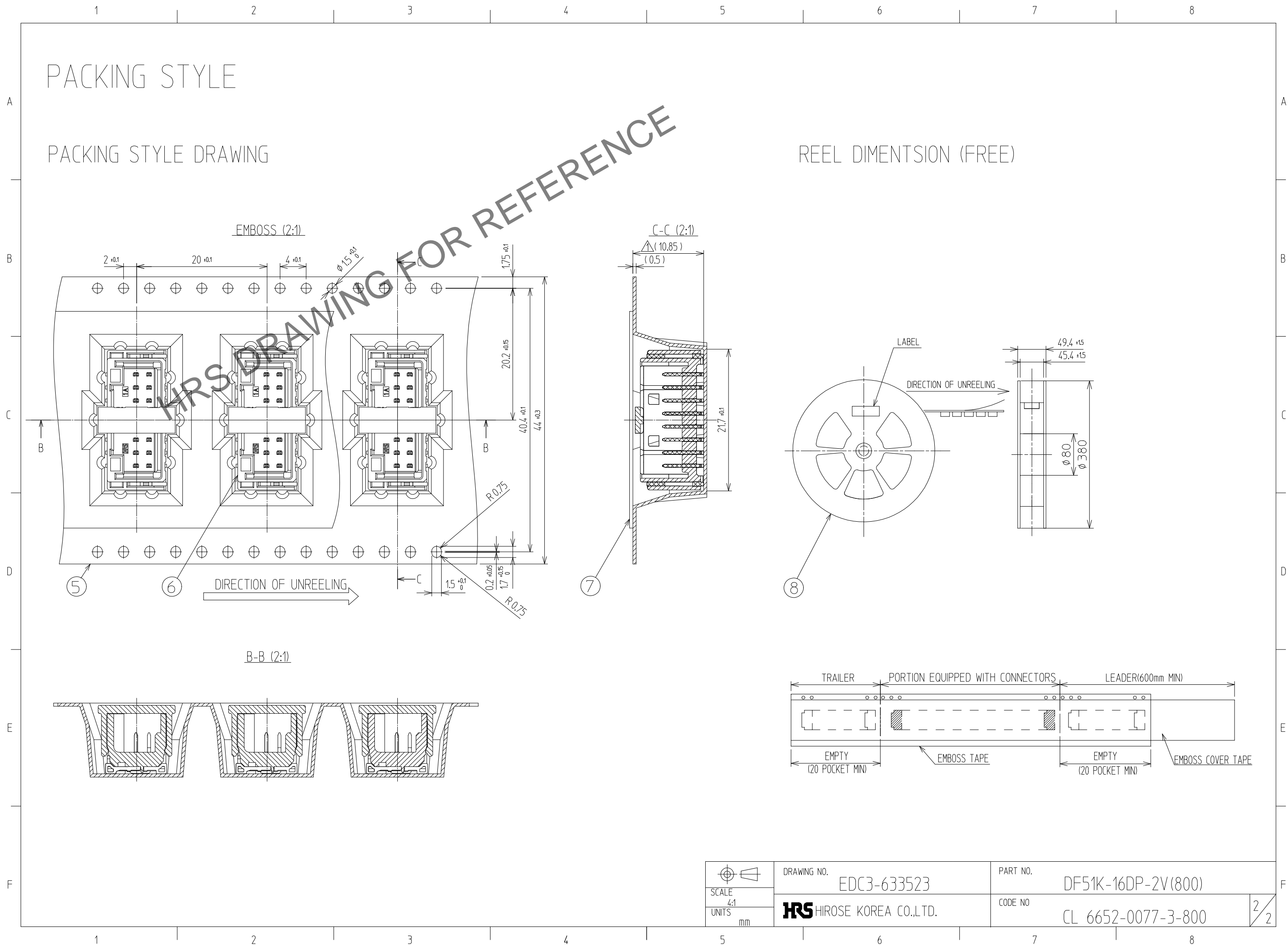
4	LCP	BLACK	8	PS	REEL BOBBIN
3	BRASS	TIN PLATED : 1μm MIN UNDER PLATING : NICKEL 1μm MIN	7	PET	COVER TAPE
2	BRASS	TIN PLATED : 1μm MIN UNDER PLATING : NICKEL 1μm MIN	6	CONNECTOR	DF51K-16DP-2V
1	LCP	BLACK	5	PS	EMBOSS CARRIER TAPE
NO.	MATERIAL	FINISH,REMARKS	NO.	MATERIAL	FINISH,REMARKS
CODE NO. (OLD)			DRAWN	DESIGNED	CHECKED
			CHO 23.07.05 J.S	CHO 23.07.05 J.S	LIM 23.07.05 S.M
DRAWING NO. EDC3-633523			PART NO. DF51K-16DP-2V (800)		
SCALE 4:1			CODE NO. CL 6652-0077-3-800		
UNITS mm			HRS HIROSE KOREA CO.,LTD.		
					1/2

Apr.1.2024 Copyright 2024 HIROSE ELECTRIC CO., LTD. All Rights Reserved.
 In case of consideration for using Automotive equipment / device which demand high reliability, kindly contact our sales window

PACKING STYLE

PACKING STYLE DRAWING

REEL DIMENSIONS (FREE)



HRS DRAWING FOR REFERENCE

 SCALE 4:1 UNITS mm	DRAWING NO. EDC3-633523	PART NO. DF51K-16DP-2V(800)	2/2
	 HIROSE KOREA CO.,LTD.	CODE NO CL 6652-0077-3-800	