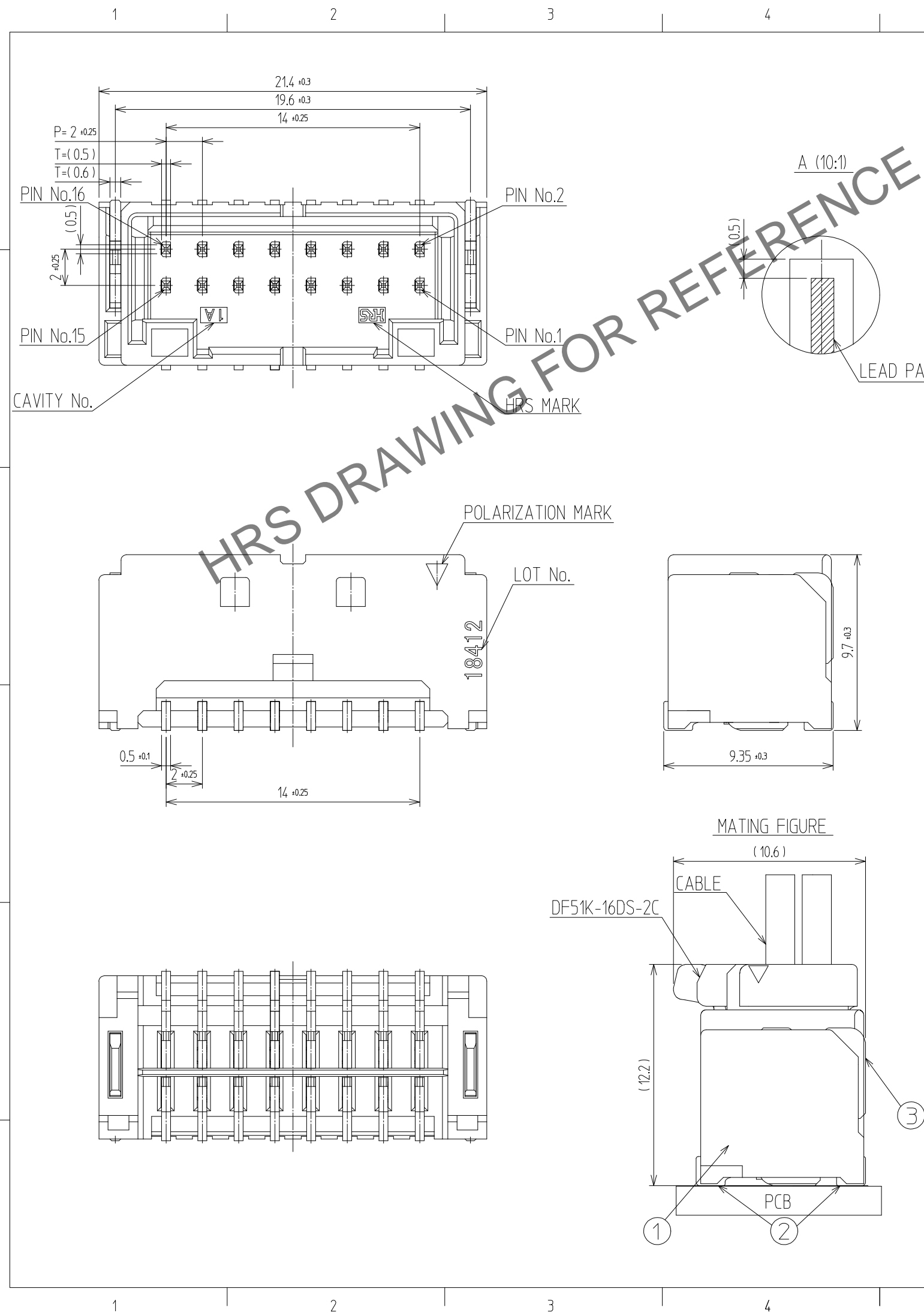
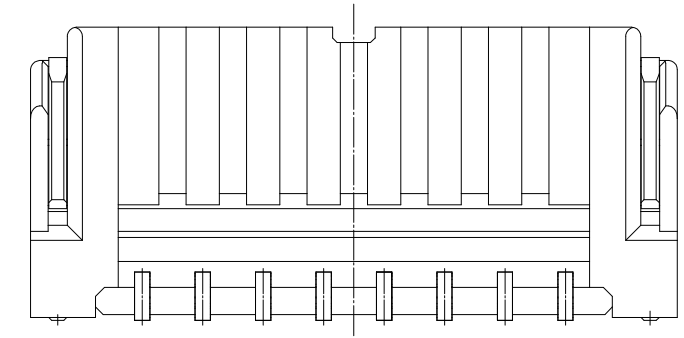
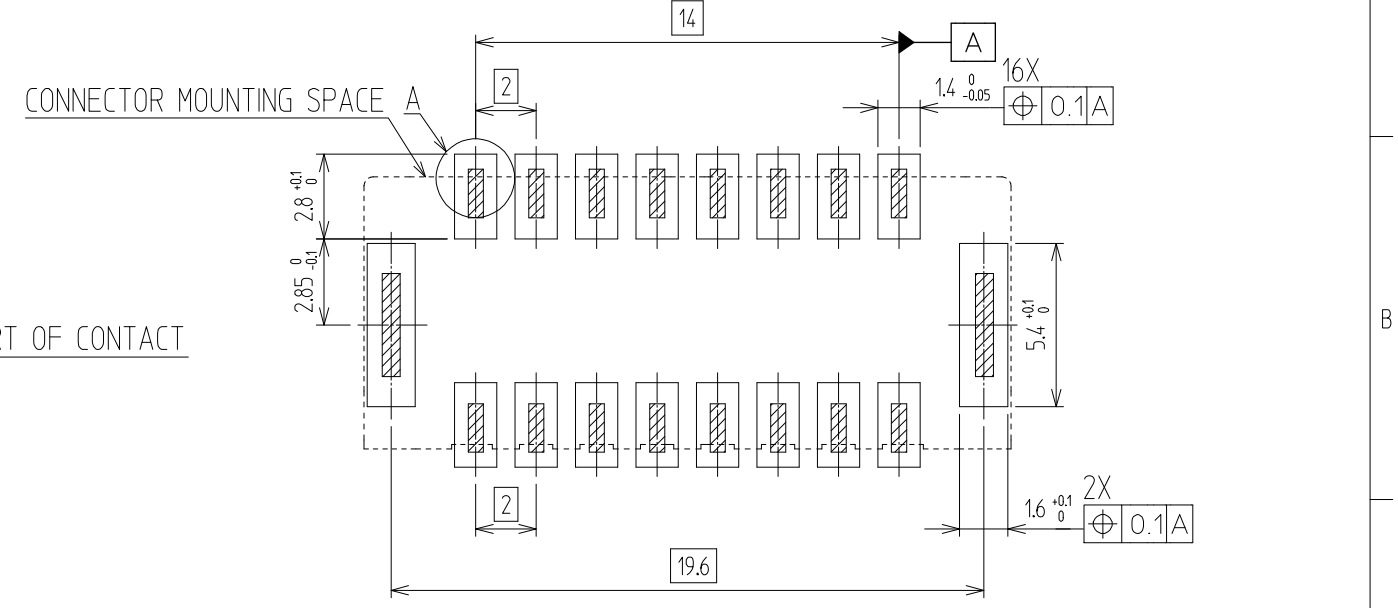


Dec.1.2024 Copyright 2024 HIROSE ELECTRIC CO., LTD. All Rights Reserved.  
In case of consideration for using Automotive equipment / device which demand high reliability, kindly contact our sales window



△數 COUNT	訂正事項 DISCUSSION OF REVISIONS	擔當 B	檢圖 CHKD	年月日 DATE	△數 COUNT	訂正事項 DISCUSSION OF REVISIONS	擔當 B	檢圖 CHKD	年月日 DATE
1	RE-6-3383	K.H.R	L.S.M	24. 01. 16					

RECOMMENDED PCB LAYOUT(Top-View)



- NOTE
- SOLDERING TEMPERATURE : 250°C PEAK, 10sec MAX.
  - OPERATING TEMPERATURE : -55°~105°C
  - USED REFLOW SYSTEM : IN THE AIR OR NITROGEN
  - NO. OF CYCLES : 2 MAX
  - MATING PART  
FEMALE : DF51K-16DS-2C
  - CO-PLANARITY : 0.12 MAX.
  - RECOMMENDED PCB THICKNESS IS 1.6mm.
  - RECOMMENDED SOLDER THICKNESS IS 0.15mm
  - UL(File No. E132750) AUTHORIZATION ARTICLE.  
C-UL(File No. E132750) AUTHORIZATION ARTICLE.

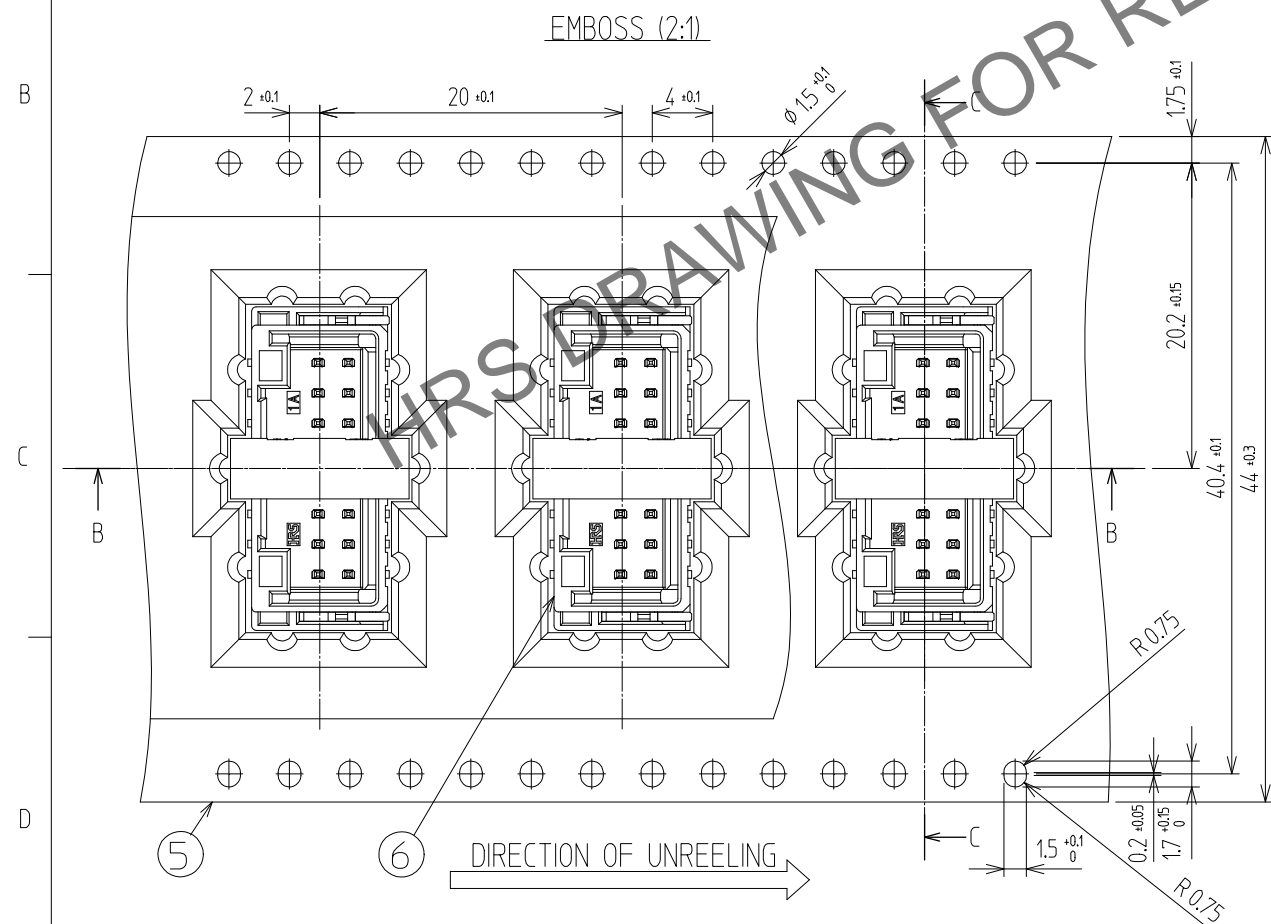


4	LCP	BLACK	8	PS	REEL BOBBIN
3	BRASS	TIN PLATED : 1µm MIN UNDER PLATING : NICKEL 1µm MIN	7	PET	COVER TAPE
2	BRASS	CONTACT AREA : GOLD 0.1µm MIN SMT LEAD : GOLD 0.05µm MIN UNDER PLATING : NICKEL 1µm MIN	6	CONNECTOR	DF51K-16DP-2V
1	LCP	BLACK	5	PS	EMBOSS CARRIER TAPE
NO.	MATERIAL	FINISH,REMARKS	NO.	MATERIAL	FINISH,REMARKS
CODE NO. (OLD)			DRAWN	DESIGNED	CHECKED
			CHO 23.07.05 J.S	CHO 23.07.05 J.S	LIM 23.07.05 S.M
DRAWING NO. EDC3-633523			PART NO. DF51K-16DP-2V(805)		
SCALE 4:1 UNITS mm			CODE NO. CL 6652-0077-3-805		
HRS HIROSE KOREA CO.,LTD.			1/2		

Dec.1.2024 Copyright 2024 HIROSE ELECTRIC CO., LTD. All Rights Reserved.  
In case of consideration for using Automotive equipment / device which demand high reliability, kindly contact our sales window

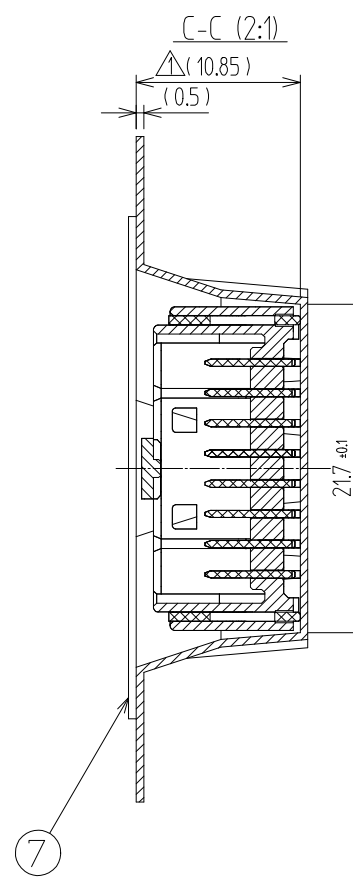
# PACKING STYLE

## PACKING STYLE DRAWING

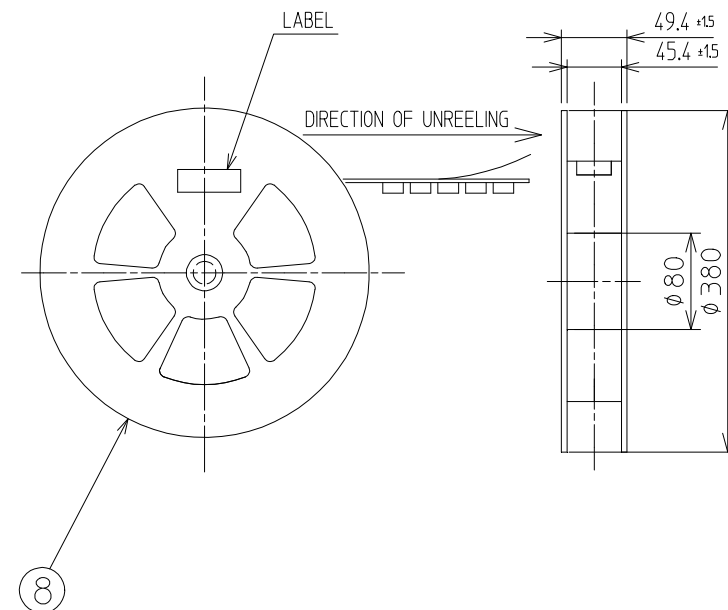


EMBOSS (2:1)

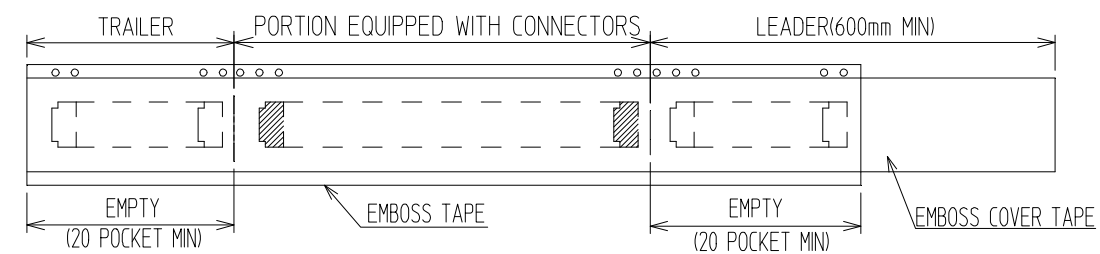
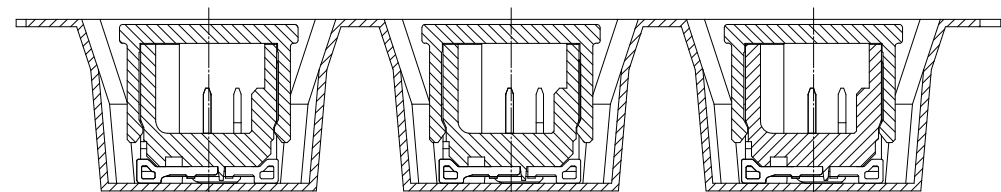
C-C (2:1)



## REEL DIMENSION (FREE)



B-B (2:1)



 SCALE 4:1 UNITS mm	DRAWING NO. EDC3-633523	PART NO. DF51K-16DP-2V(805)	2 2
	 HIROSE KOREA CO.,LTD.	CODE NO CL 6652-0077-3-805	