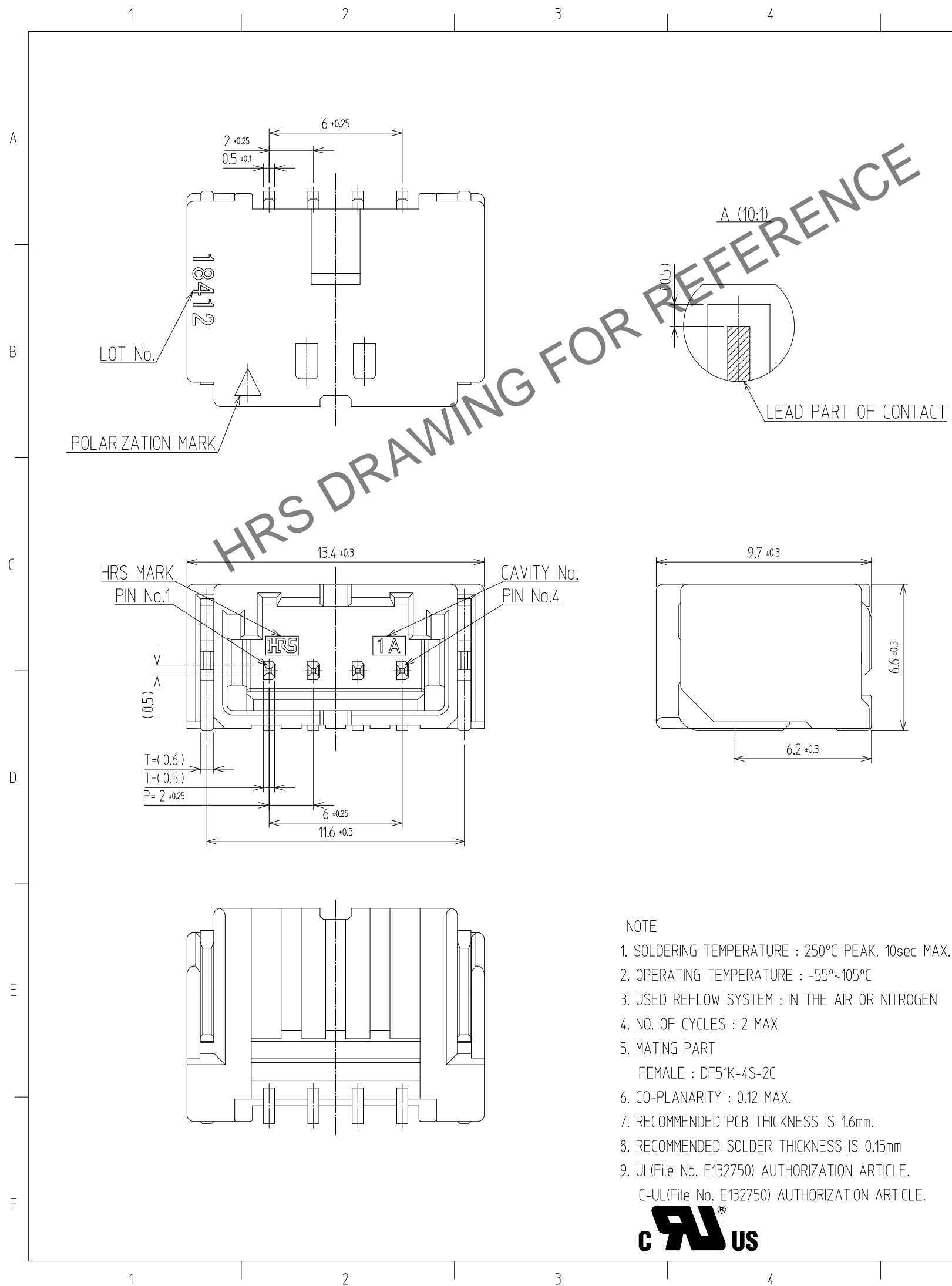


In case of consideration for using Automotive equipment / device which demand high reliability, kindly contact our sales window.



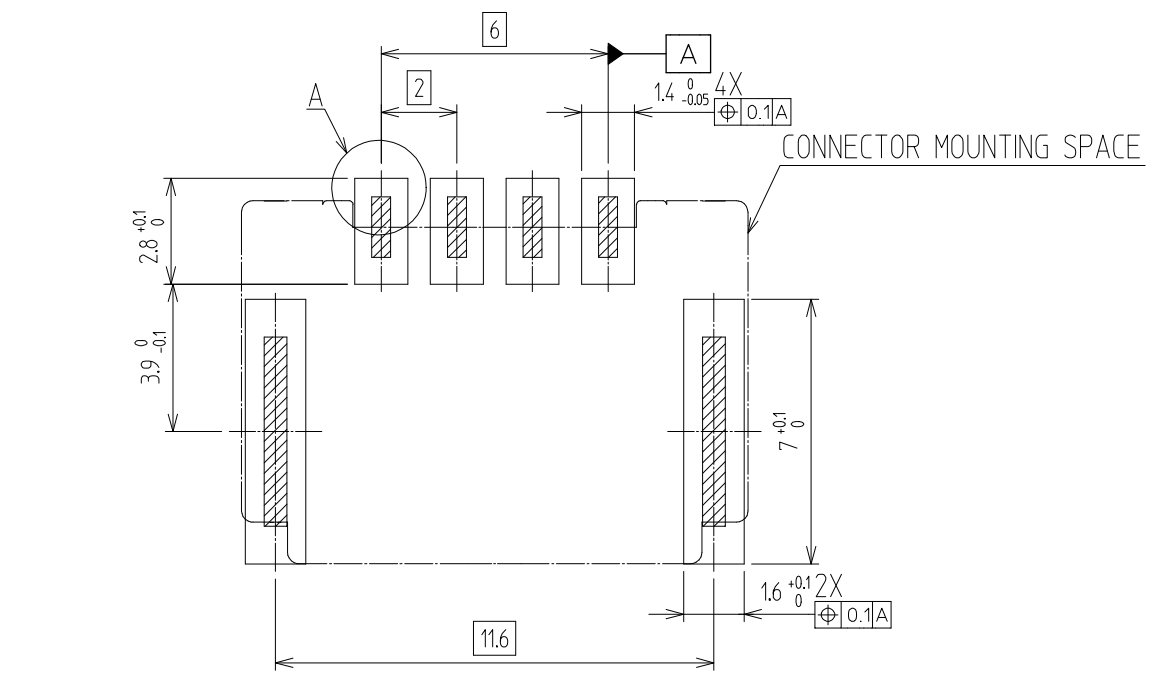
HRS DRAWING FOR REFERENCE

- NOTE**
- SOLDERING TEMPERATURE : 250°C PEAK, 10sec MAX.
 - OPERATING TEMPERATURE : -55°~105°C
 - USED REFLOW SYSTEM : IN THE AIR OR NITROGEN
 - NO. OF CYCLES : 2 MAX
 - MATING PART
FEMALE : DF51K-4S-2C
 - CO-PLANARITY : 0.12 MAX.
 - RECOMMENDED PCB THICKNESS IS 1.6mm.
 - RECOMMENDED SOLDER THICKNESS IS 0.15mm
 - UL(File No. E132750) AUTHORIZATION ARTICLE.
C-UL(File No. E132750) AUTHORIZATION ARTICLE.

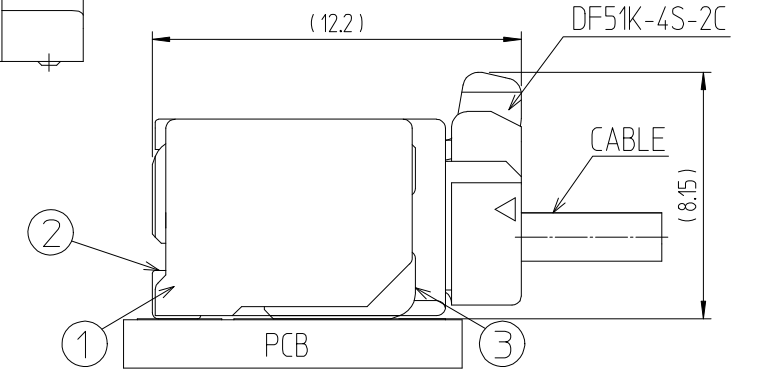


△數 COUNT	訂正事項 DESCRIPTION OF REVISIONS	擔當 B	檢圖 Y	年月日 DATE	△數 COUNT	訂正事項 DESCRIPTION OF REVISIONS	擔當 B	檢圖 Y	年月日 DATE
△				..	△				..
△				..	△				..
△				..	△				..

RECOMMENDED PCB LAYOUT(Top-View)



MATING FIGURE (4:1)

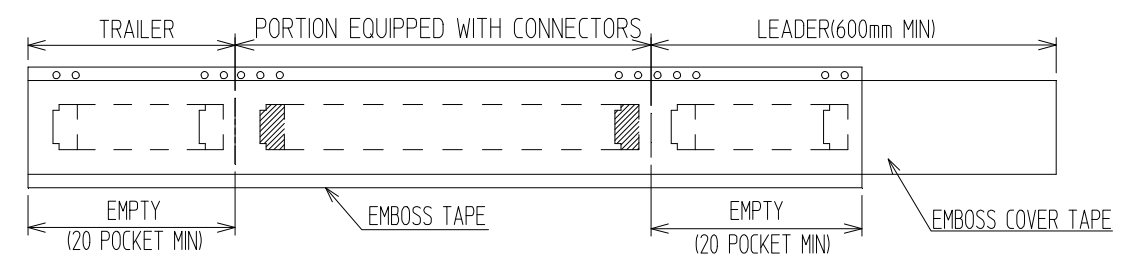
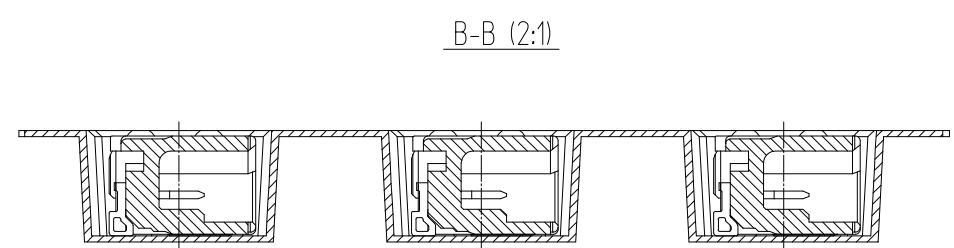
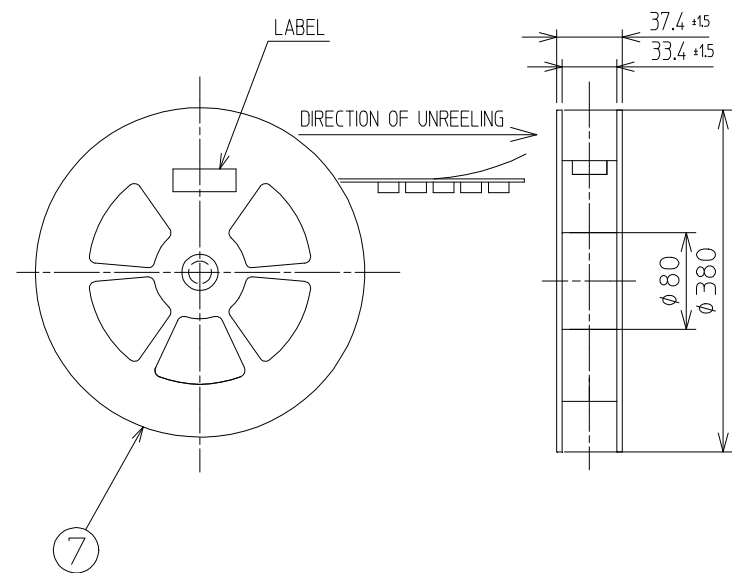
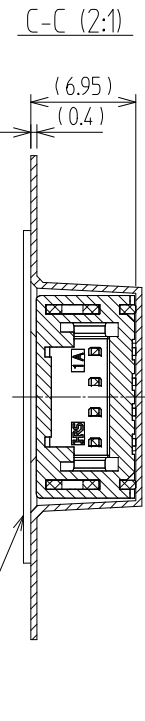
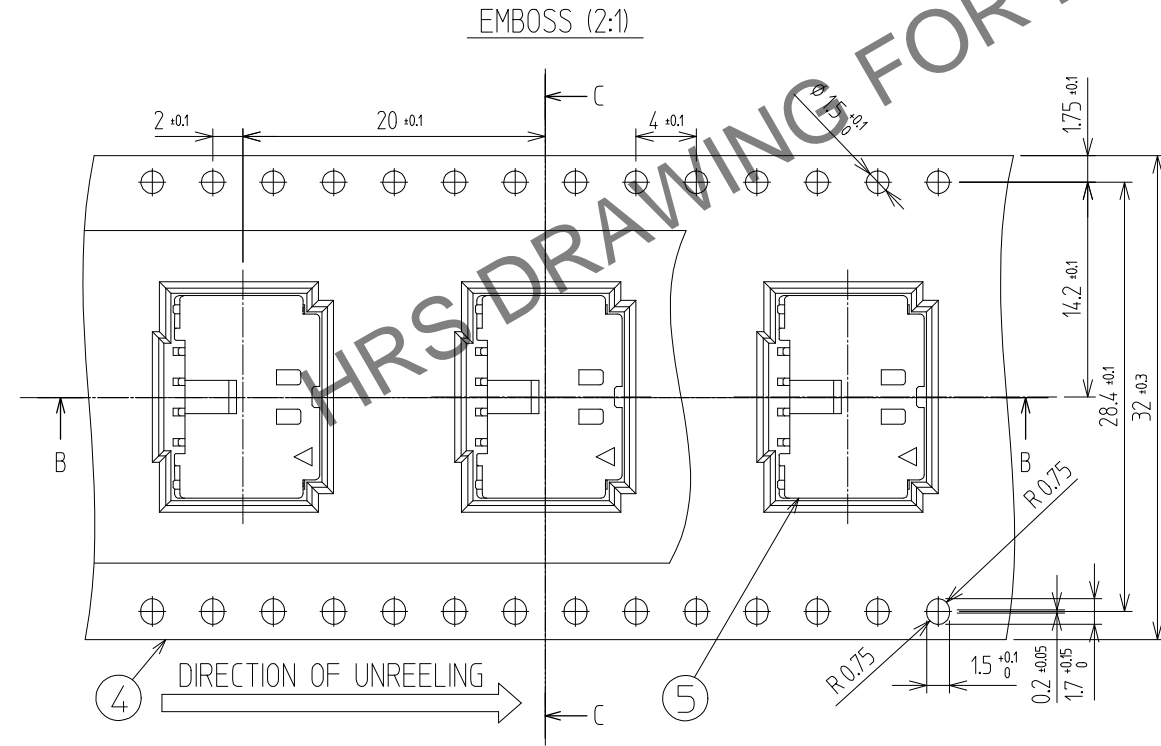


3	BRASS	TIN PLATED : 1μm MIN UNDER PLATING : NICKEL 1μm MIN	7	PS	REEL BOBBIN
2	BRASS	TIN PLATED : 1μm MIN UNDER PLATING : NICKEL 1μm MIN	6	PET	COVER TAPE
1	LCP	BLACK	5	CONNECTOR	DF51K-4P-2H
NO.	MATERIAL	FINISH,REMARKS	NO.	MATERIAL	FINISH,REMARKS
CODE NO. (OLD)			DRAWN	DESIGNED	CHECKED
			CHO 22.04.20 J.S	CHO 22.04.20 J.S	LIM 22.04.20 S.M
			APPROVED		
			LIM 22.04.20 S.M		
			RELEASED		
			ENG 2023.07.24 DEPT		
DRAWING NO. EDC3-633588			PART NO. DF51K-4P-2H(800)		
SCALE 5:1 UNITS mm			CODE NO. CL 6652-0088-0-800		
			1/2		

In case of consideration for using Automotive equipment / device which demand high reliability, kindly contact our sales window.

PACKING STYLE

PACKING STYLE DRAWING



△數 COUNT	訂正事項 DISCIPTION OF REVISIONS	擔當 B	檢圖 Y	年月日 DATE	△數 COUNT	訂正事項 DISCIPTION OF REVISIONS	擔當 B	檢圖 Y	年月日 DATE
△				..	△				..
△				..	△				..
△				..	△				..

REEL DIMENTSION (FREE)

 SCALE 5:1 UNITS mm	DRAWING NO. EDC3-633588	PART NO. DF51K-4P-2H (800)	CODE NO CL 6652-0088-0-800	 2/2
	 HIROSE KOREA CO.,LTD.			