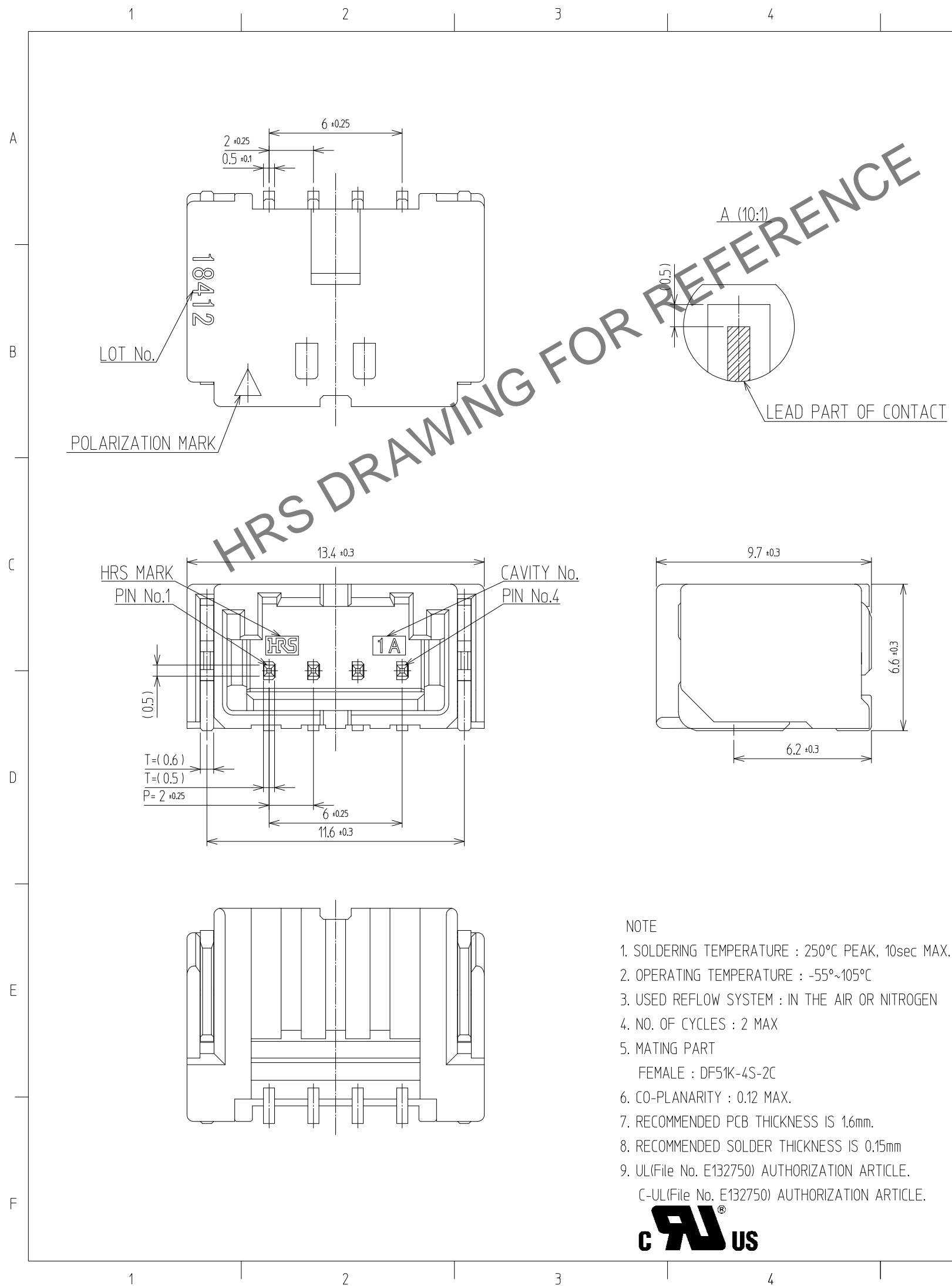


In case of consideration for using Automotive equipment / device which demand high reliability, kindly contact our sales window.



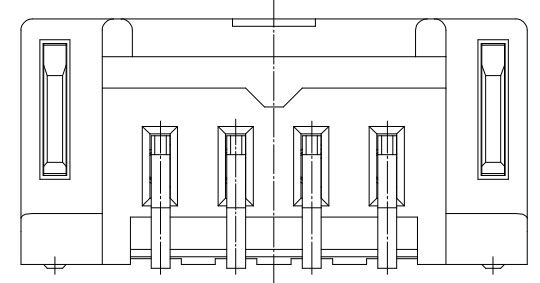
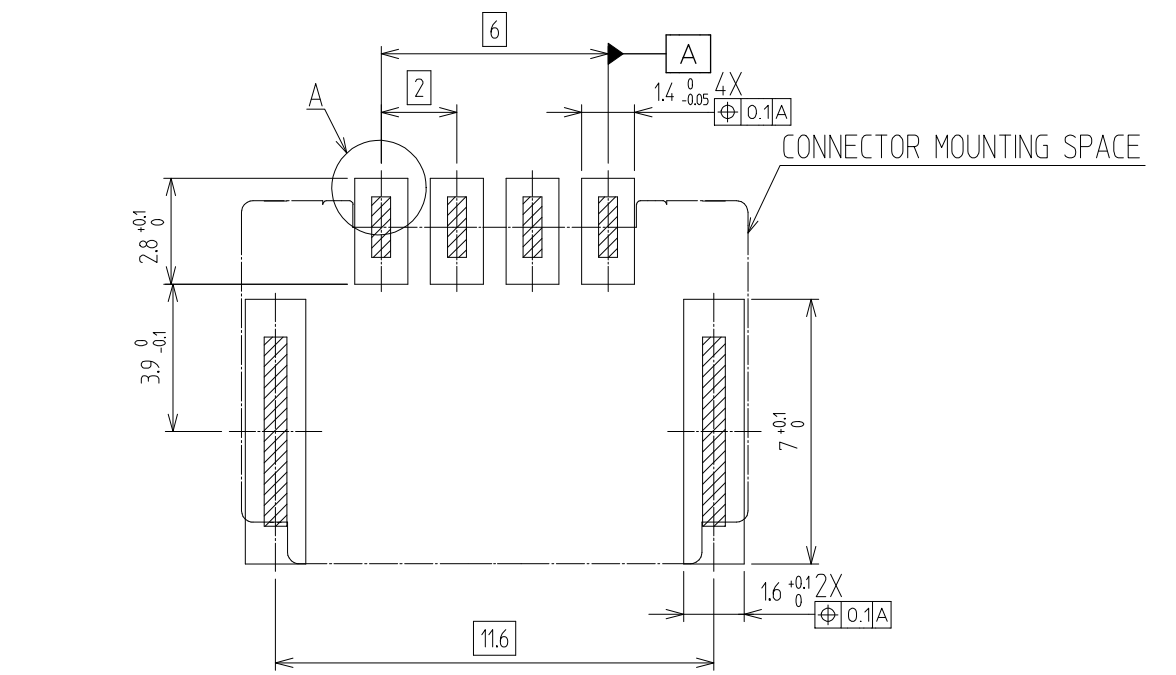
HRS DRAWING FOR REFERENCE

- NOTE
- SOLDERING TEMPERATURE : 250°C PEAK, 10sec MAX.
  - OPERATING TEMPERATURE : -55°~105°C
  - USED REFLOW SYSTEM : IN THE AIR OR NITROGEN
  - NO. OF CYCLES : 2 MAX
  - MATING PART  
FEMALE : DF51K-4S-2C
  - CO-PLANARITY : 0.12 MAX.
  - RECOMMENDED PCB THICKNESS IS 1.6mm.
  - RECOMMENDED SOLDER THICKNESS IS 0.15mm
  - UL(File No. E132750) AUTHORIZATION ARTICLE.  
C-UL(File No. E132750) AUTHORIZATION ARTICLE.

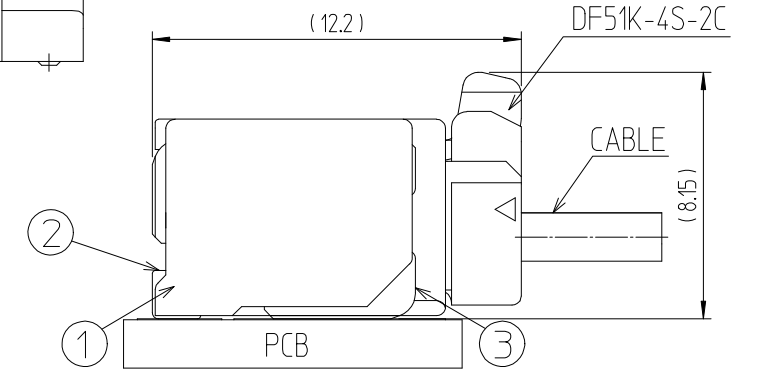


△數 COUNT	訂正事項 DESCRIPTION OF REVISIONS	擔當 B	檢圖 CHKD	年月日 DATE	△數 COUNT	訂正事項 DESCRIPTION OF REVISIONS	擔當 B	檢圖 CHKD	年月日 DATE
△					△				
△					△				
△					△				

RECOMMENDED PCB LAYOUT(Top-View)



MATING FIGURE (4:1)

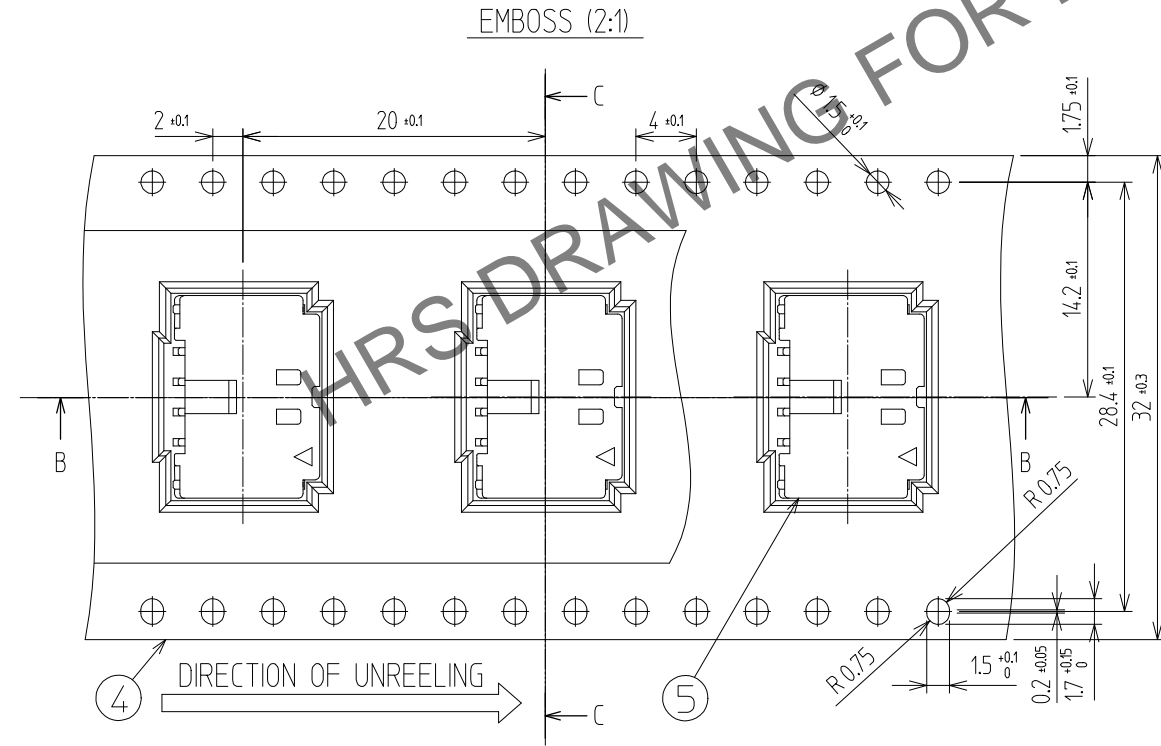


3	BRASS	TIN PLATED : 1μm MIN UNDER PLATING : NICKEL 1μm MIN	7	PS	REEL BOBBIN
2	BRASS	CONTACT AREA : GOLD 0.1μm MIN SMT LEAD : GOLD 0.05μm MIN UNDER PLATING : NICKEL 1μm MIN	6	PET	COVER TAPE
			5	CONNECTOR	DF51K-4P-2H
1	LCP	BLACK	4	PS	EMBOSS CARRIER TAPE
NO.	MATERIAL	FINISH,REMARKS	NO.	MATERIAL	FINISH,REMARKS
CODE NO. (OLD)			DRAWN	DESIGNED	CHECKED
			CHO 22.04.20 J.S	CHO 22.04.20 J.S	LIM 22.04.20 S.M
			APPROVED	RELEASED	
			LIM 22.04.20 S.M	ENG 2023.07.24 DEPT	
DRAWING NO. EDC3-633588			PART NO. DF51K-4P-2H(805)		
SCALE 5:1 UNITS mm			CODE NO. CL 6652-0088-0-805		
HRS HIROSE KOREA CO.,LTD.			1/2		

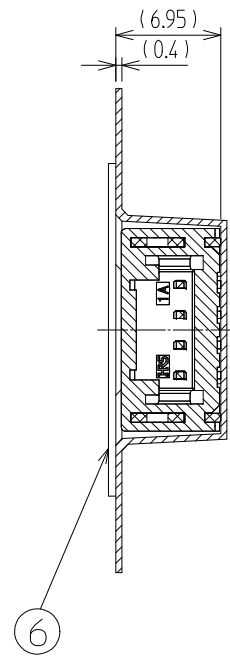
In case of consideration for using Automotive equipment / device which demand high reliability, kindly contact our sales window.

# PACKING STYLE

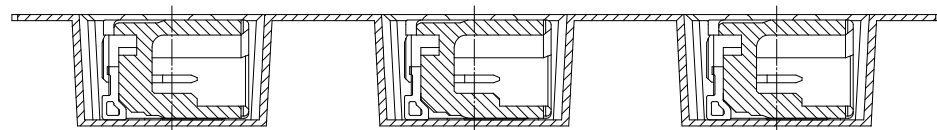
## PACKING STYLE DRAWING



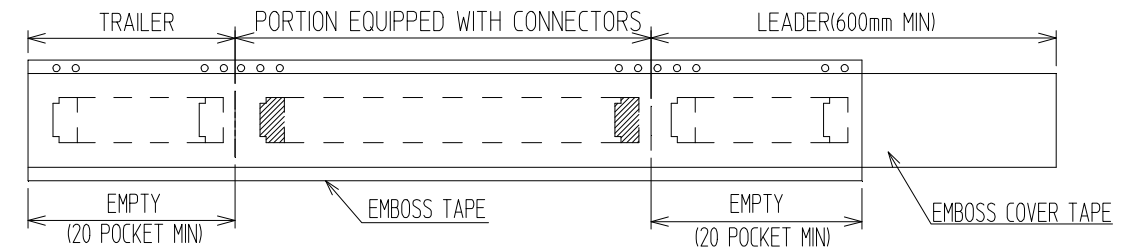
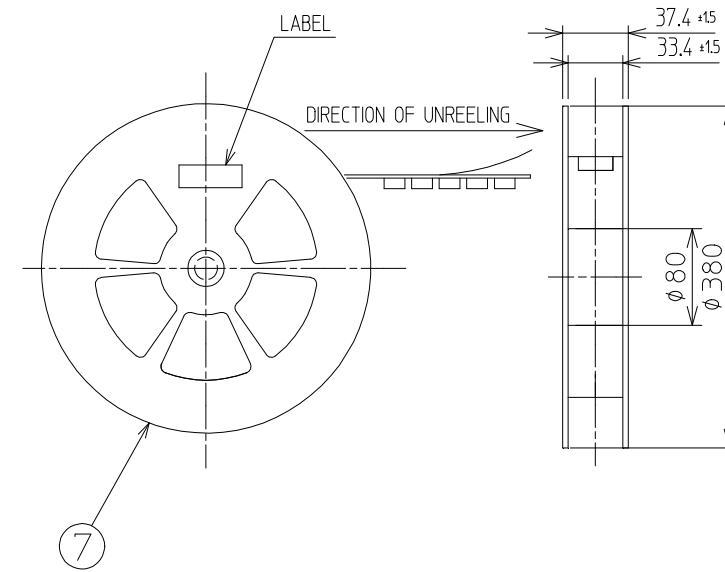
C-C (2:1)



B-B (2:1)



## REEL DIMENSION (FREE)



△數 COUNT	訂正事項 DISCUSSION OF REVISIONS	擔當 B	檢圖 Y	年月日 DATE	△數 COUNT	訂正事項 DISCUSSION OF REVISIONS	擔當 B	檢圖 Y	年月日 DATE
△				..	△				..
△				..	△				..
△				..	△				..

 SCALE 5:1 UNITS mm	DRAWING NO. EDC3-633588	PART NO. DF51K-4P-2H (805)	CODE NO CL 6652-0088-0-805	 2/2
	 HIROSE KOREA CO.,LTD.			