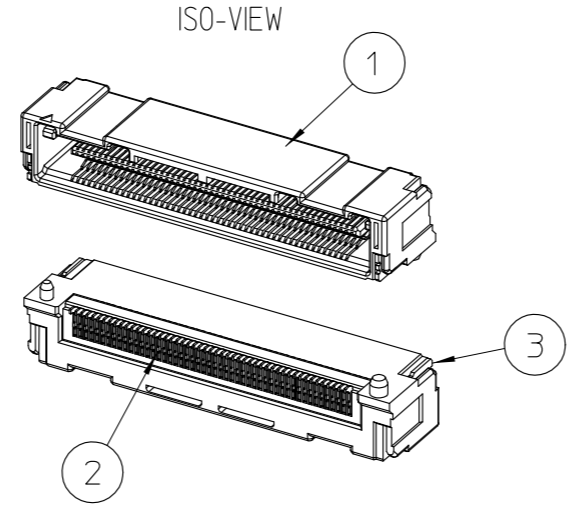
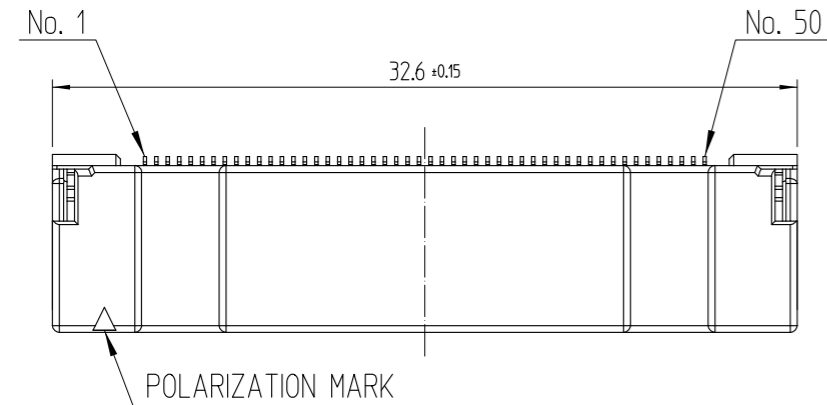
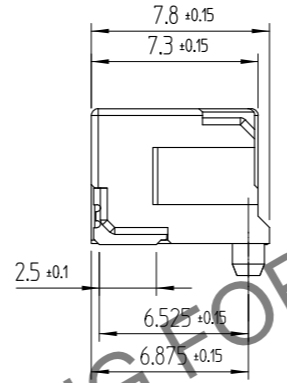
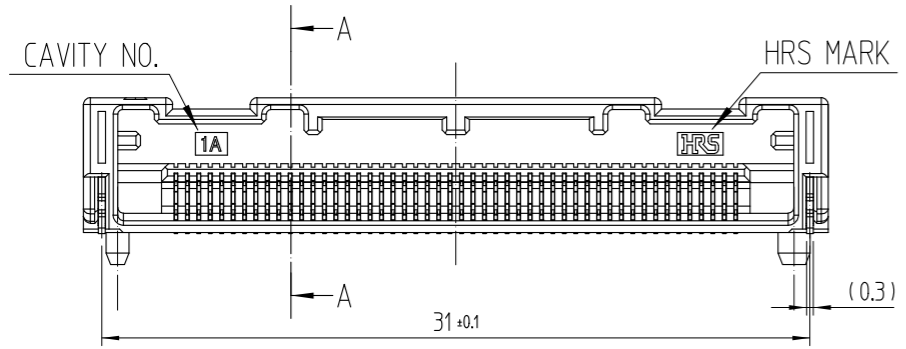
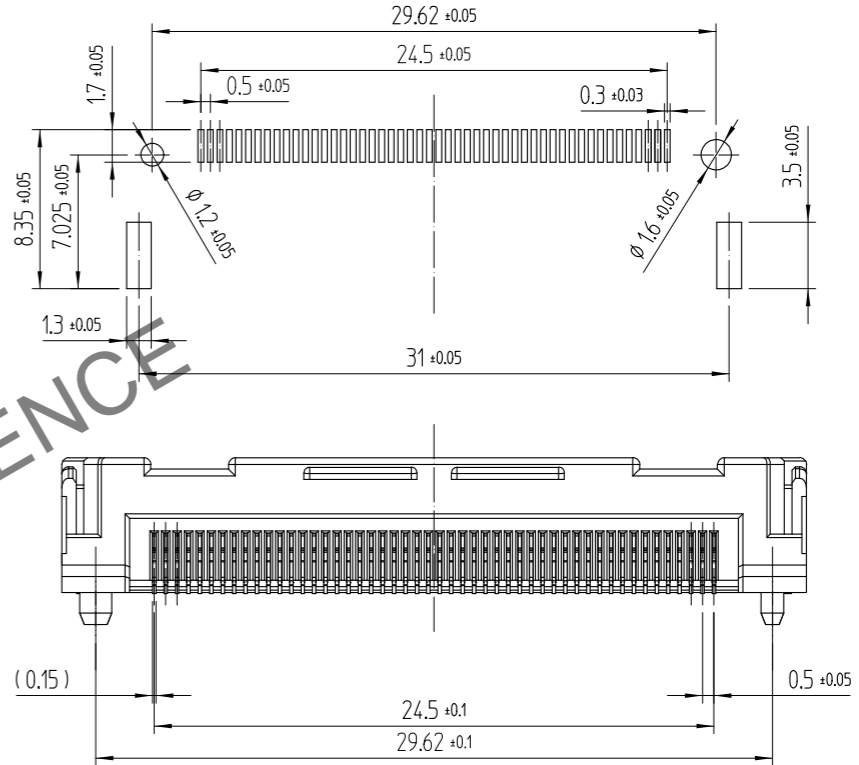


Apr.1.2025 Copyright 2025 HIROSE ELECTRIC CO., LTD. All Rights Reserved.  
In case of consideration for using Automotive equipment / device which demand high reliability, kindly contact our sales window correspondents.

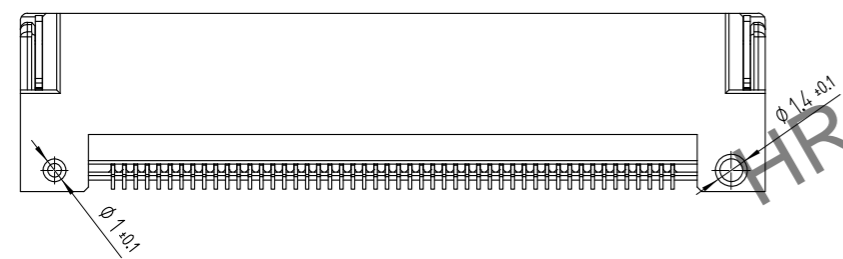
△數 COUNT	訂正事項 DESCRIPTION OF REVISIONS	擔當 B	檢圖 CHKD	年月日 DATE	△數 COUNT	訂正事項 DESCRIPTION OF REVISIONS	擔當 B	檢圖 CHKD	年月日 DATE
△					△				
△					△				
△					△				



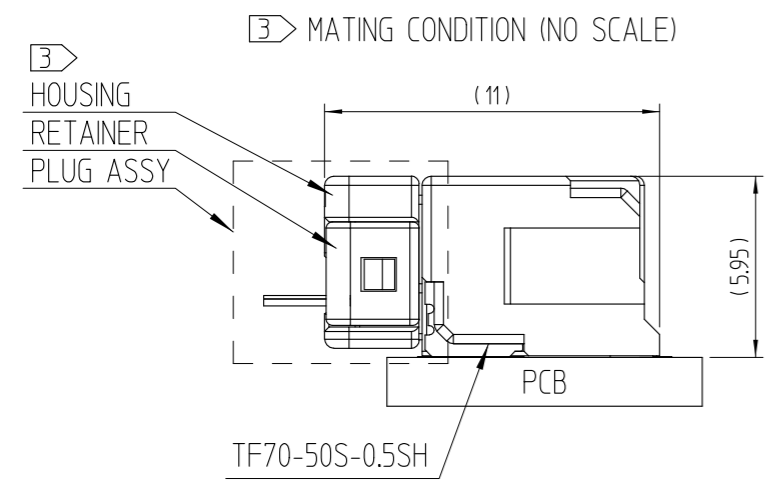
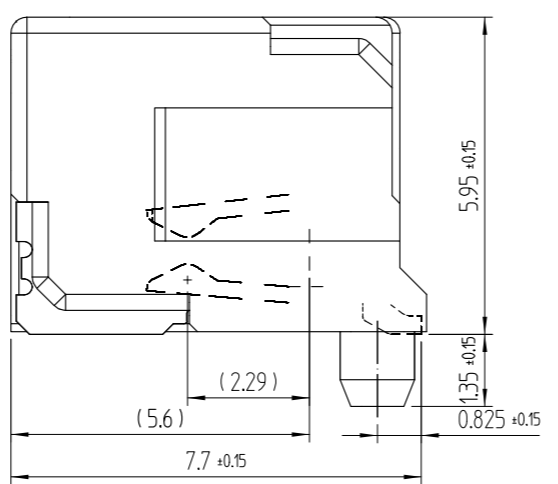
RECOMMENDED LAND PATTERN, METAL MASK (NO SCALE)  
RECOMMENDED METAL MASK THICKNESS : 0.12 mm



- NOTE
- 1 EMBOSSED PACKING QUANTITY : 650 EA
  - 2 LEAD CO-PLANARITY SHALL BE 0.1 MM MAX.
  - 3 MATING CONDITION



A-A (7:1)

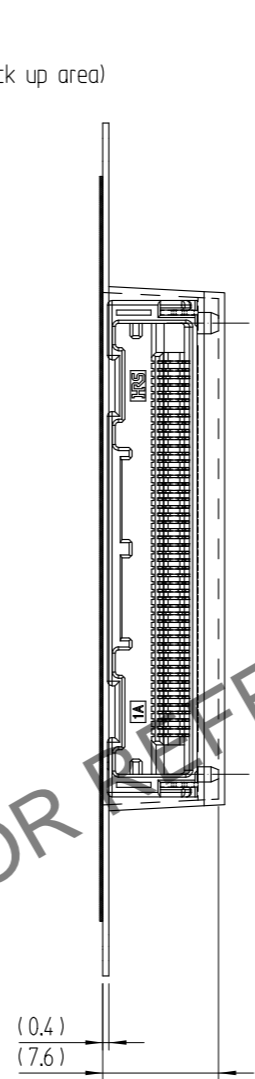
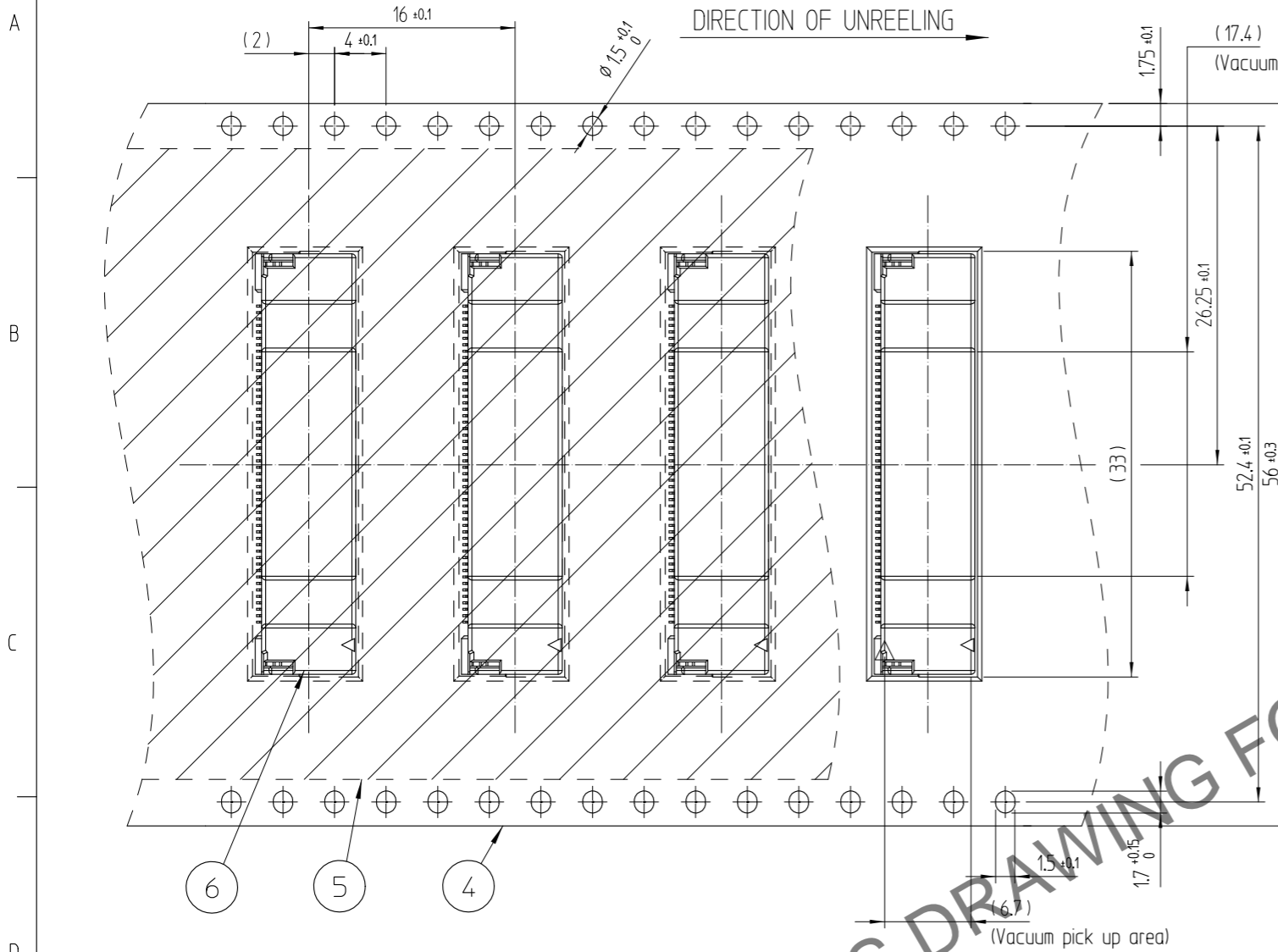


7	REEL	PS	-	-			
6	CONNECTOR	-	-	-			
5	COVER TAPE	PET	-	-			
4	EMBOSS TAPE	PS	-	-			
3	METAL FITTING	BRASS	Sn 2.5 μm Min. over Ni 1.0~4.0 μm				
2	CONTACT	COPPER ALLOY	CONTACT AREA : Au 0.05 μm Min. over Ni 1.0~4.0 μm LEAD AREA : Au 0.05 μm Min. over Ni 1.0~4.0 μm OTHER : Ni 1.0~4.0 μm				
1	CASE	LCP	UL94V-0, BLACK				
NO.	DESCRIPTION	MATERIAL	FINISH			REMARKS	
CODE NO. (OLD)			DRAWN	DESIGNED	CHECKED	APPROVED	RELEASED
			G.Y.YOON 23.05.02	G.Y.YOON 23.05.02	D.H.CHO 23.05.02	D.H.CHO 23.05.02	ENG 24.01.09 DEPT

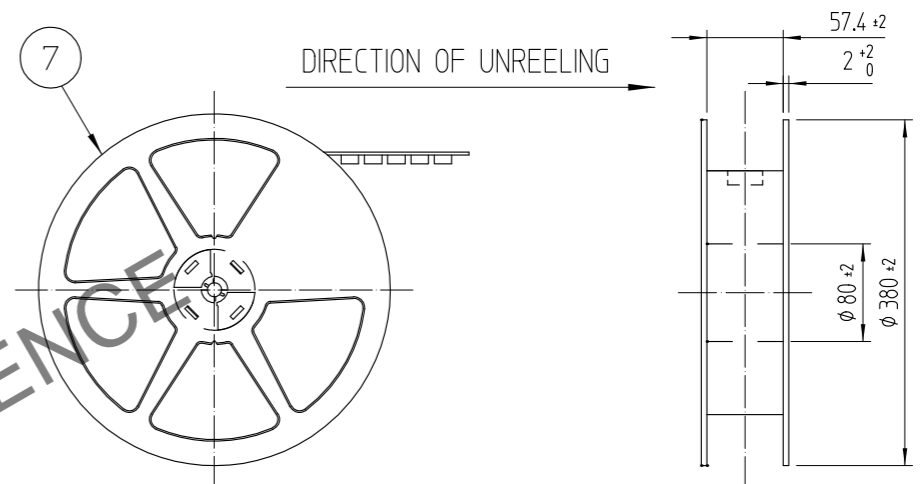
SCALE 3:1 UNITS mm	DRAWING NO. EDC3-633159-80	PART NO. TF70-50S-0.5SH(800)	CODE NO. CL 6567-0001-2-800	1/2
HRS HIROSE KOREA CO.,LTD.				

Apr.1.2025 Copyright 2025 HIROSE ELECTRIC CO., LTD. All Rights Reserved.  
In case of consideration for using Automotive equipment / device which demand high reliability, kindly contact our sales window correspondents.

EMBOSSED CARRIER TAPE DIMENSION (2:1)



REEL DIMENSION (NO SCALE)



LEADER, TRAILER DIMENSION (NO SCALE)

