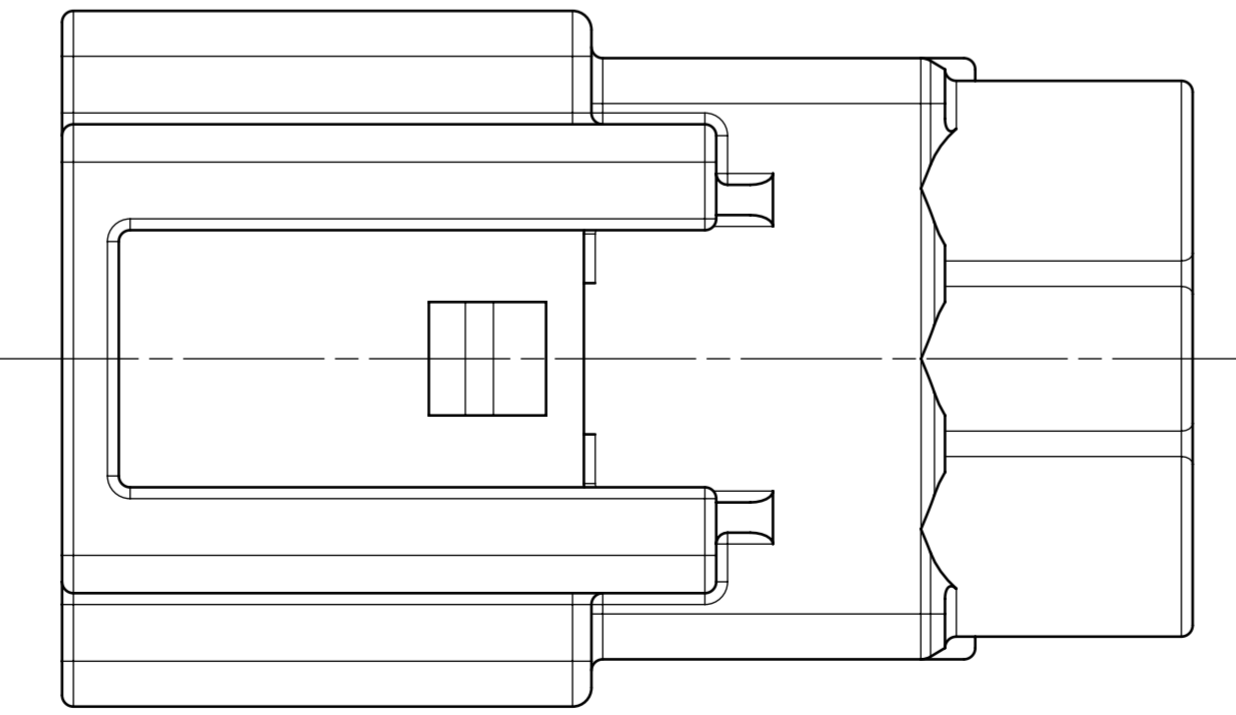
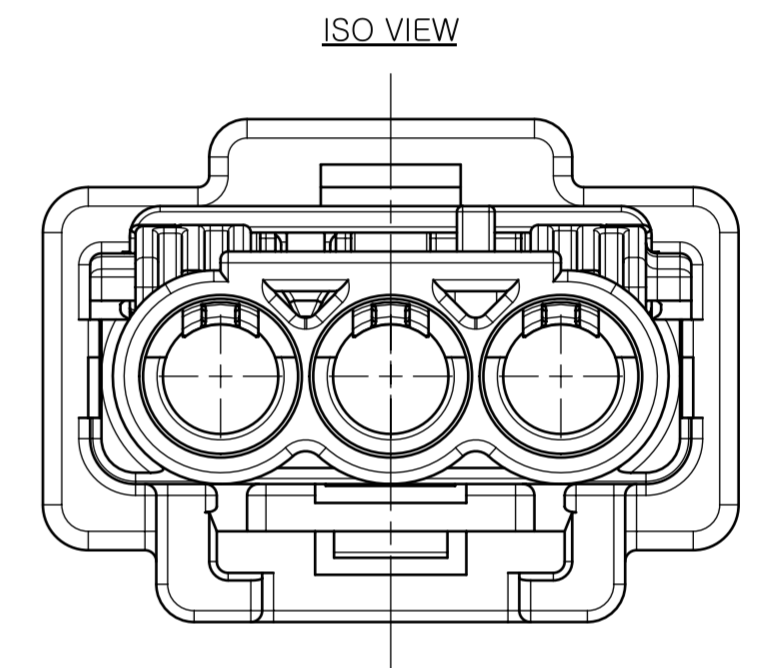
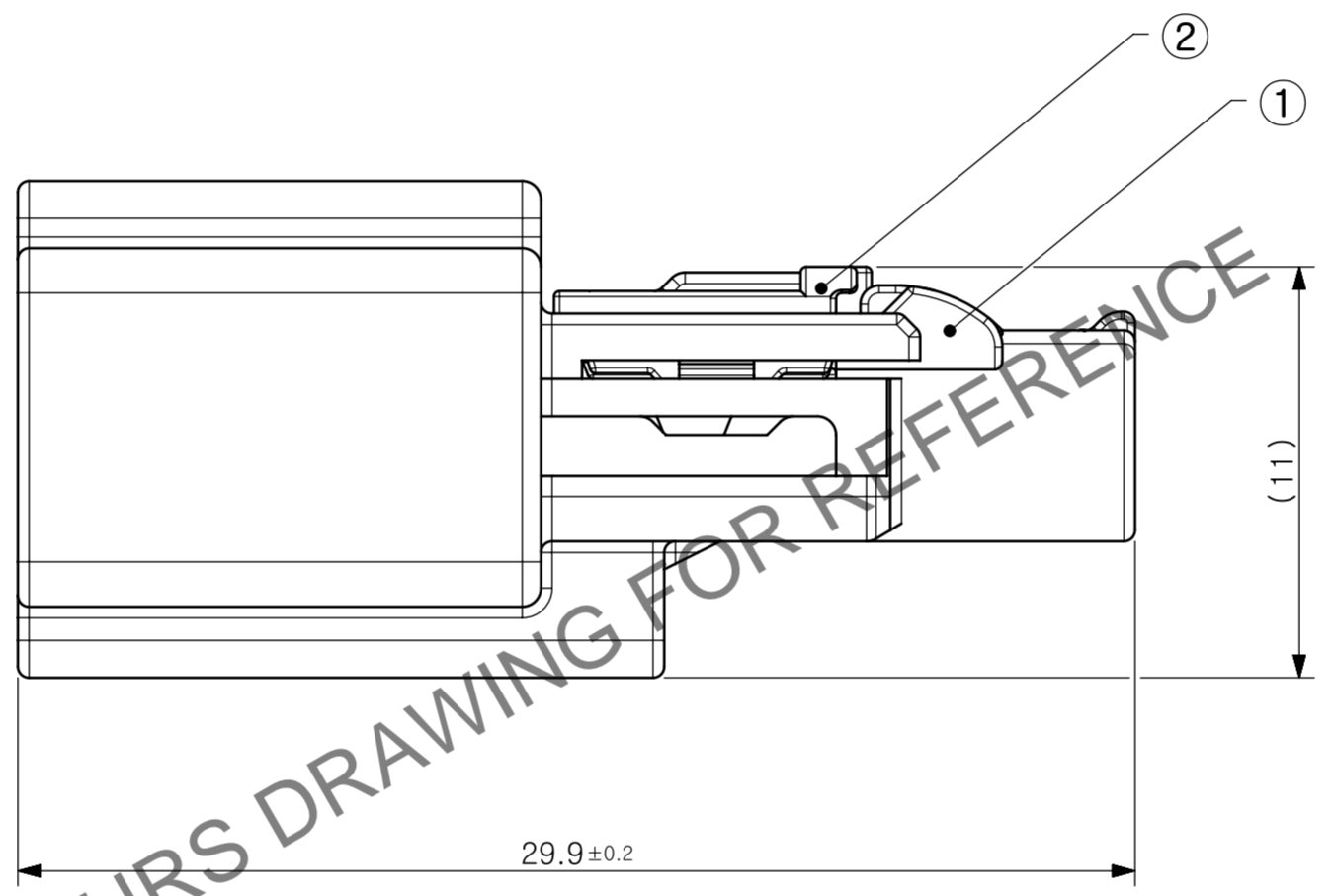
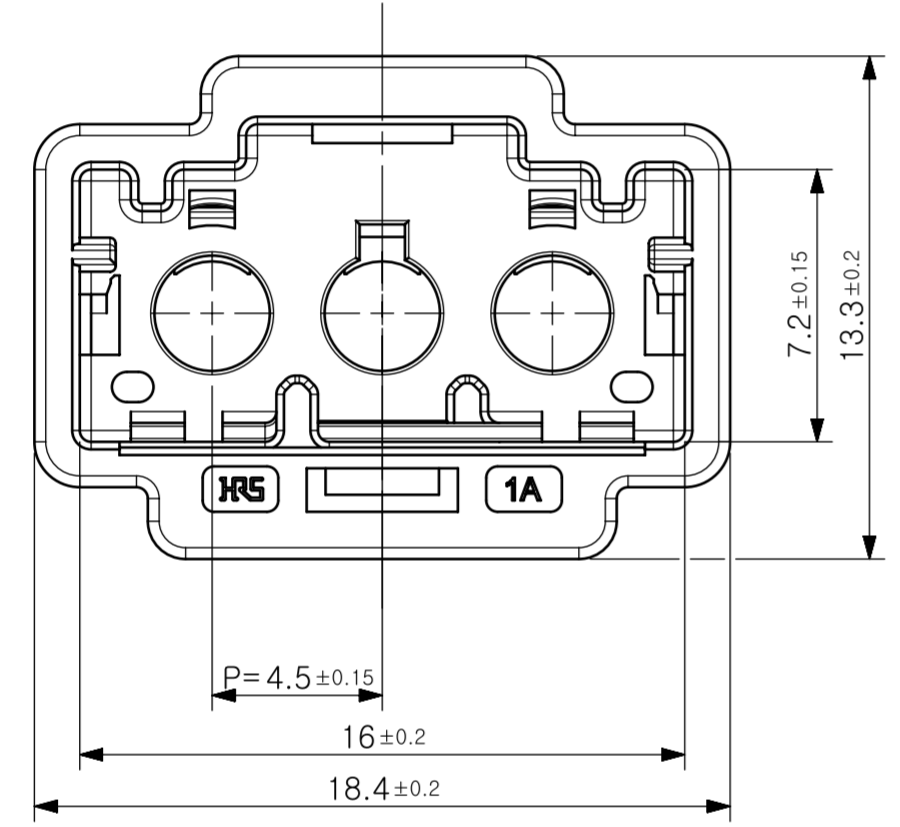
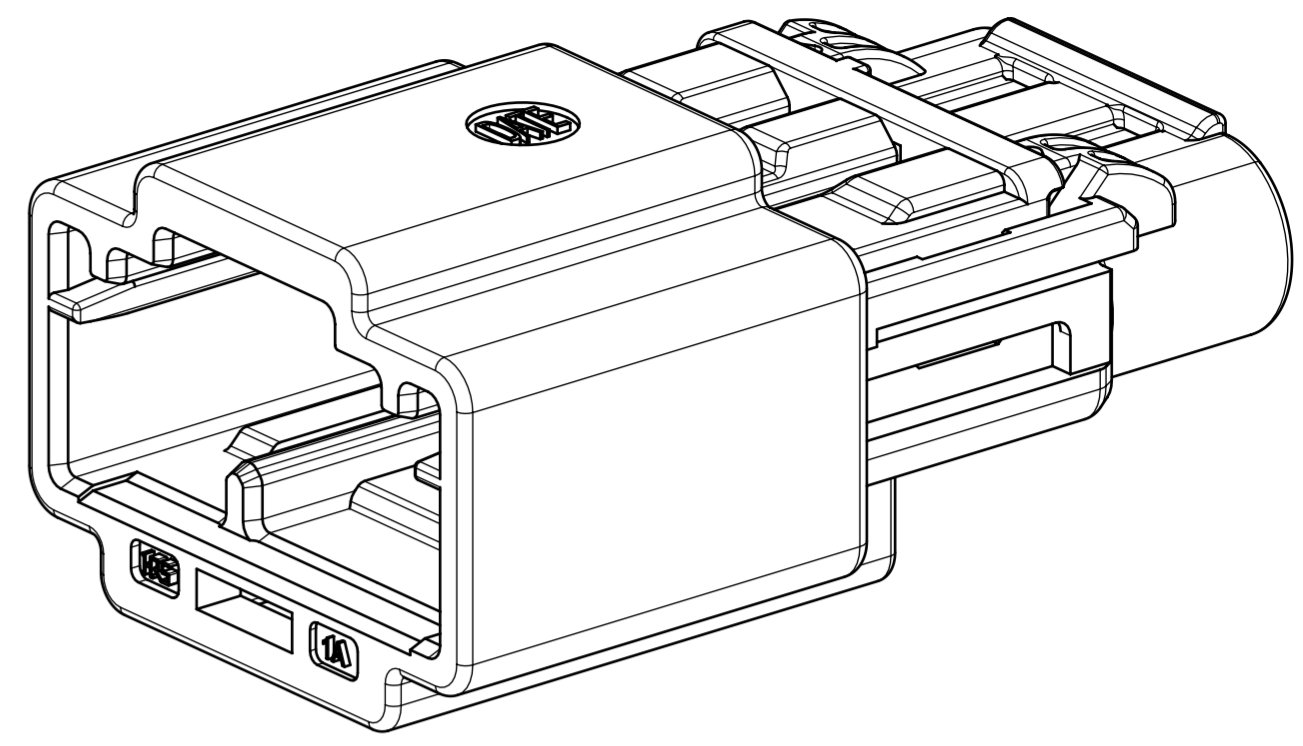
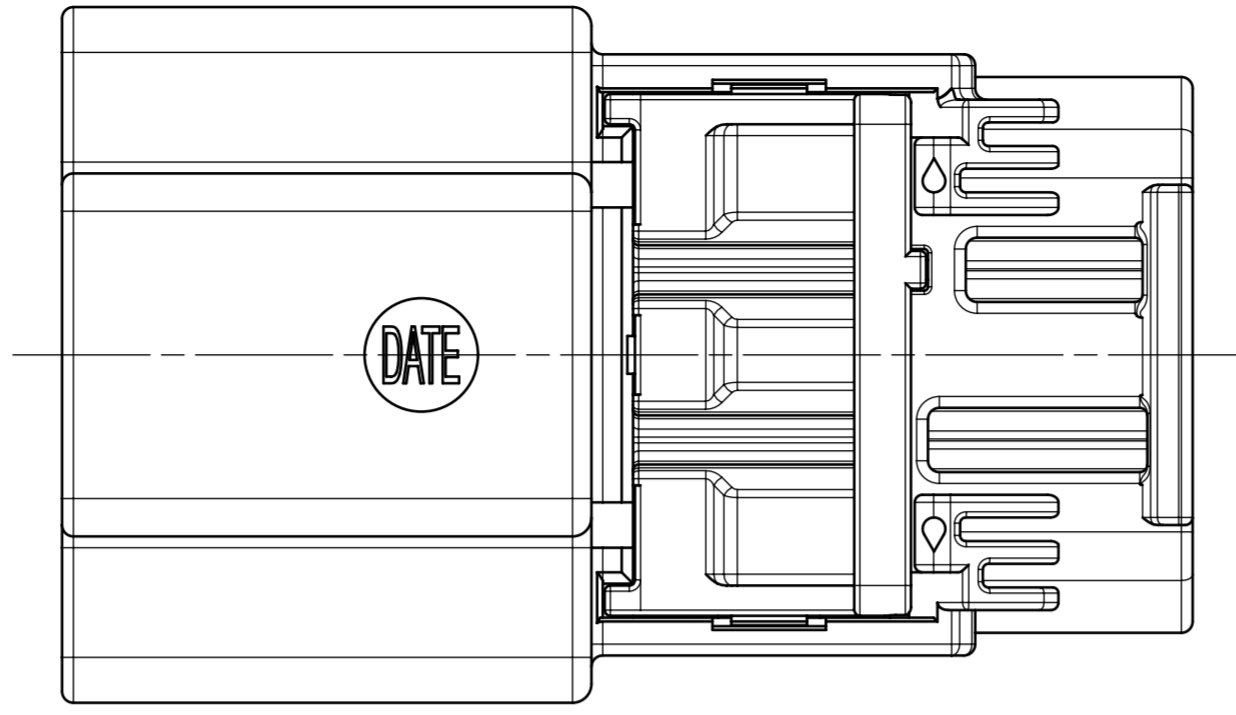


ELV. RoHS COMPLIANT

| △數 | | 訂正記事 | | | | △數 | | 訂正記事 | | | |
|-------|--------------------------|------|------|------|------|-------|--------------------------|------|------|------|------|
| COUNT | DESCRIPTION OF REVISIONS | 擔當 | 檢圖 | 承認 | 年月日 | COUNT | DESCRIPTION OF REVISIONS | 擔當 | 檢圖 | 承認 | 年月日 |
| △ | | BY | CHKD | APPD | DATE | △ | | BY | CHKD | APPD | DATE |
| △ | | | | | | △ | | | | | |
| △ | | | | | | △ | | | | | |



NOTE

1. Applicable Terminal

| | PART NO | PART NAME |
|-------------|-----------------|------------------------|
| Ø3.0 TML | 6482-0057-3-800 | KMA01-3.0P-SA(03)(800) |
| | 6452-0005-7-800 | KMA01-3.0PCF(800) |
| | 6459-0005-2-800 | KMA01-3.0-SL(03)(800) |

2. Applicable Female Connector

| | PART NO | PART NAME |
|--------|-----------------|------------------------|
| W to W | 6441-0035-3-800 | KMA01-3S-4.5HA/GR(800) |

3. KMA01-3S-4.5HA/GR TPA is not missing parts and not fully assembled.
- Maintain the first assembly.

| 1 | PBT | - | 2 | PBT | - |
|---------------------------|----------|----------------|--|----------|-------------------|
| No. | MATERIAL | FINISH,REMARKS | No. | MATERIAL | FINISH,REMARKS |
| CODE NO. (OLD) | | | DRAWN DESIGNED CHECKED APPROVED RELEASED | | |
| | | | S.J MOON | S.J MOON | J.M KIM B.H. AN |
| | | | 25.10.28 | 25.10.28 | 25.10.28 25.10.28 |
| DRAWING NO. | | | PART NO. | | |
| EDC2-631841-00 | | | KMA01-3P-4.5HA/GR(800) | | |
| SCALE 5:1 | | | CODE NO. | | |
| UNITS mm | | | CL 6442-0041-3-800 | | |
| HRS HIROSE KOREA CO.,LTD. | | | 1/1 | | |

Apr.1.2026 Copyright 2026 HIROSE ELECTRIC CO., LTD. All Rights Reserved.
In case of consideration for using Automotive equipment / device which demand high reliability, kindly contact our sales window correspondents.