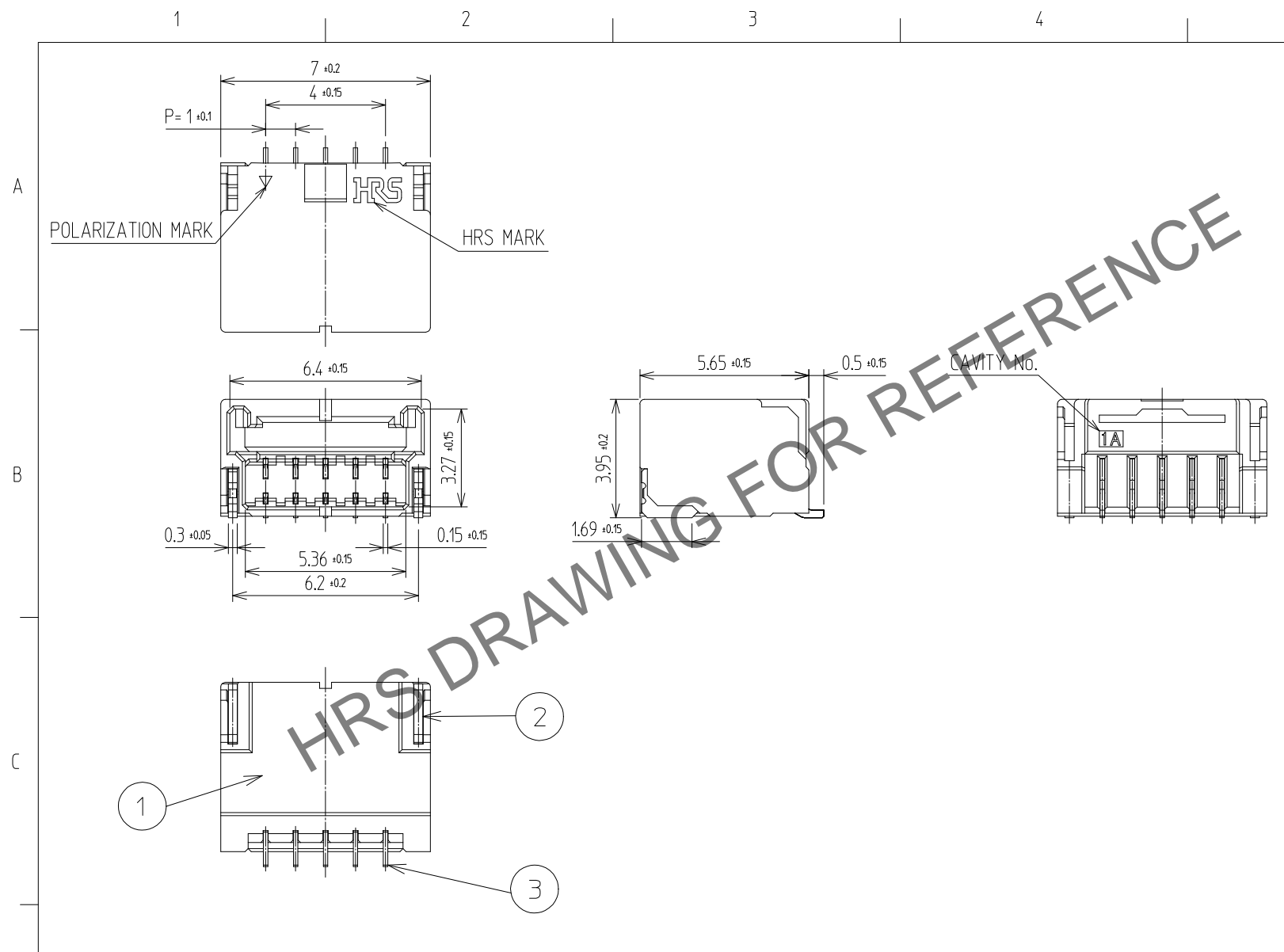
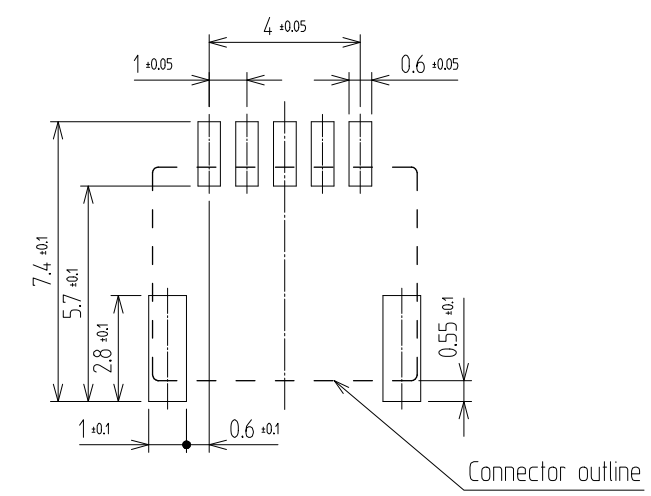


Dec.1.2024 Copyright 2024 HIROSE ELECTRIC CO., LTD. All Rights Reserved.
In case of consideration for using Automotive equipment / device which demand high reliability, kindly contact our sales window

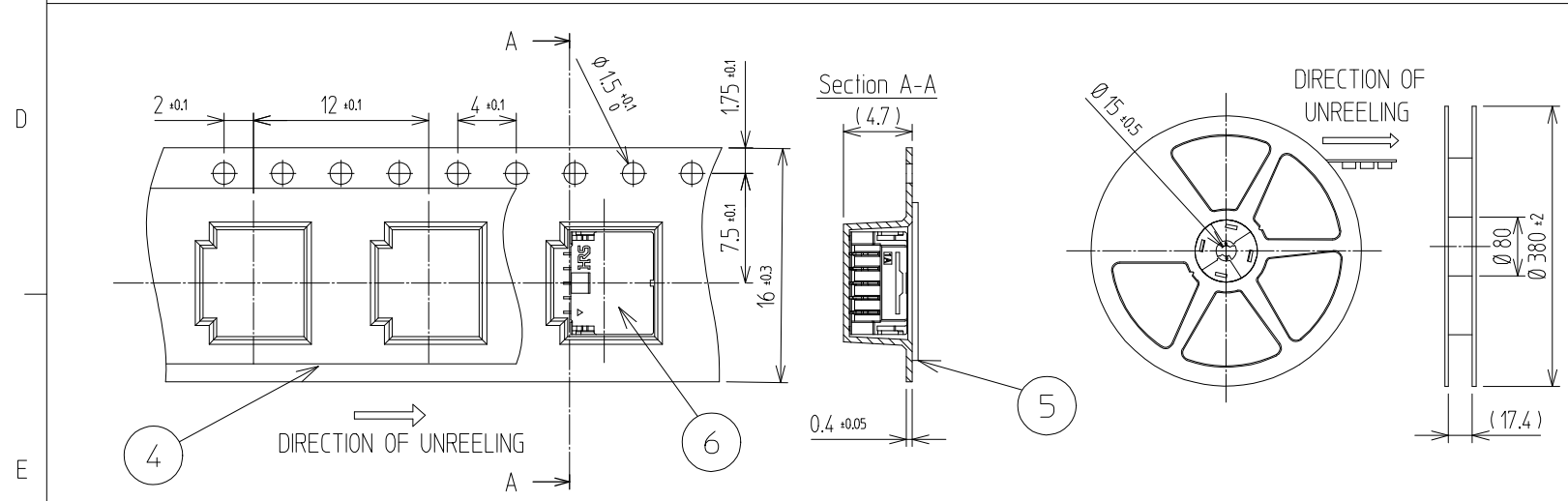
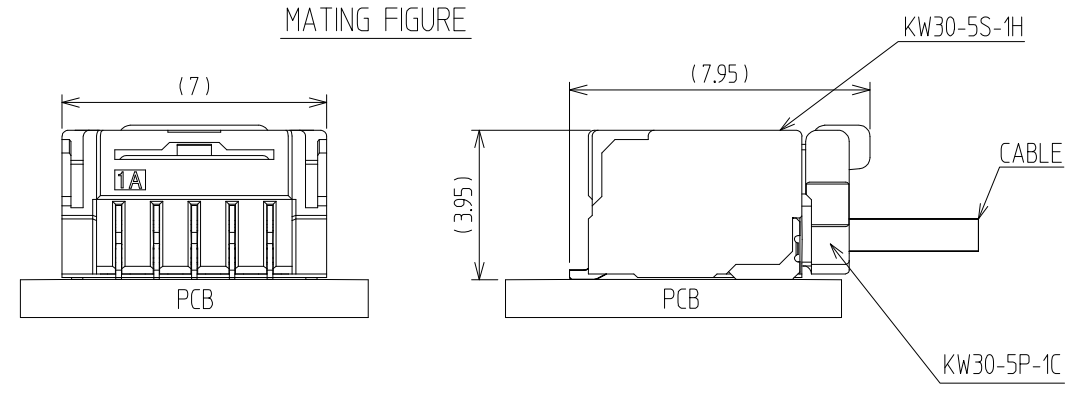


△數 COUNT	訂正事項 DISCUSSION OF REVISIONS	擔當 B	檢圖 CHKD	年月日 DATE	△數 COUNT	訂正事項 DISCUSSION OF REVISIONS	擔當 B	檢圖 CHKD	年月日 DATE
△					△				
△					△				
△					△				

RECOMMENDED PCB LAYOUT (Top-View)



MATING FIGURE

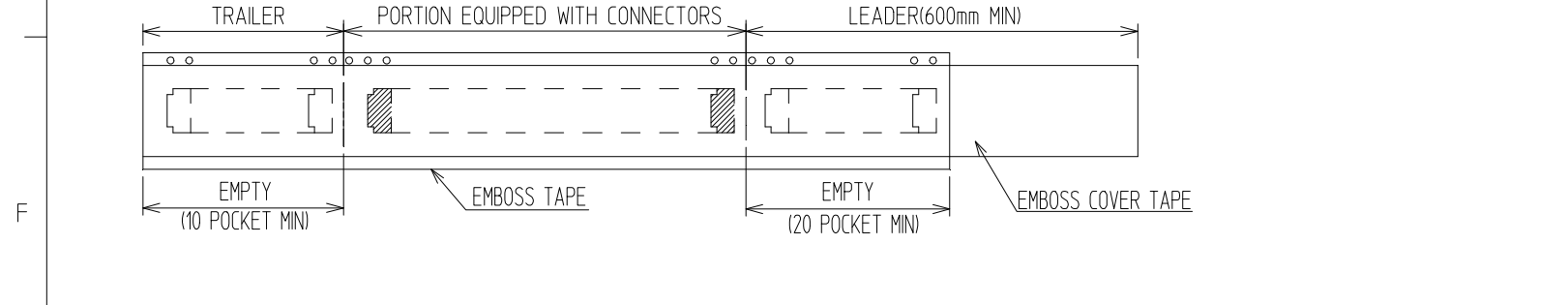


NOTE

1. LEAD CO-PLANARITY SHALL BE 0.1mmMAX
2. 1REEL : 1,500EA CONNECTORS
3. UL(File No. E132750) AUTHORIZATION ARTICLE.
C-UL(File No. E132750) AUTHORIZATION ARTICLE.



3	COPPER ALLOY	CONTACT AREA : GOLD 0.2µm MIN. SMT LEAD : GOLD 0.05µm MIN. UNDER PLATING : NICKEL 1µm MIN.	6	CONNECTOR	KW30-5S-1H
2	PHOSPHOR BRONZE	Sn PLATED	5	PET	COVER TAPE
1	LCP	UL94-V0, BLACK	4	PS	EMBOSS CARRIER TAPE
NO.	MATERIAL	FINISH,REMARKS	NO.	MATERIAL	FINISH,REMARKS



CODE NO. (OLD)		DRAWN	DESIGNED	CHECKED	APPROVED	RELEASED
		KIM 24.05.14 H.R	KIM 24.05.14 H.R	PARK 24.05.14 I.K	LIM 24.05.14 S.M	
DRAWING NO. EDC3-634419		PART NO. KW30-5S-1H(800)				
SCALE 5:1 UNITS mm		HRS HIROSE KOREA CO.,LTD.		CODE NO. CL 6669-0007-0-800		1/1