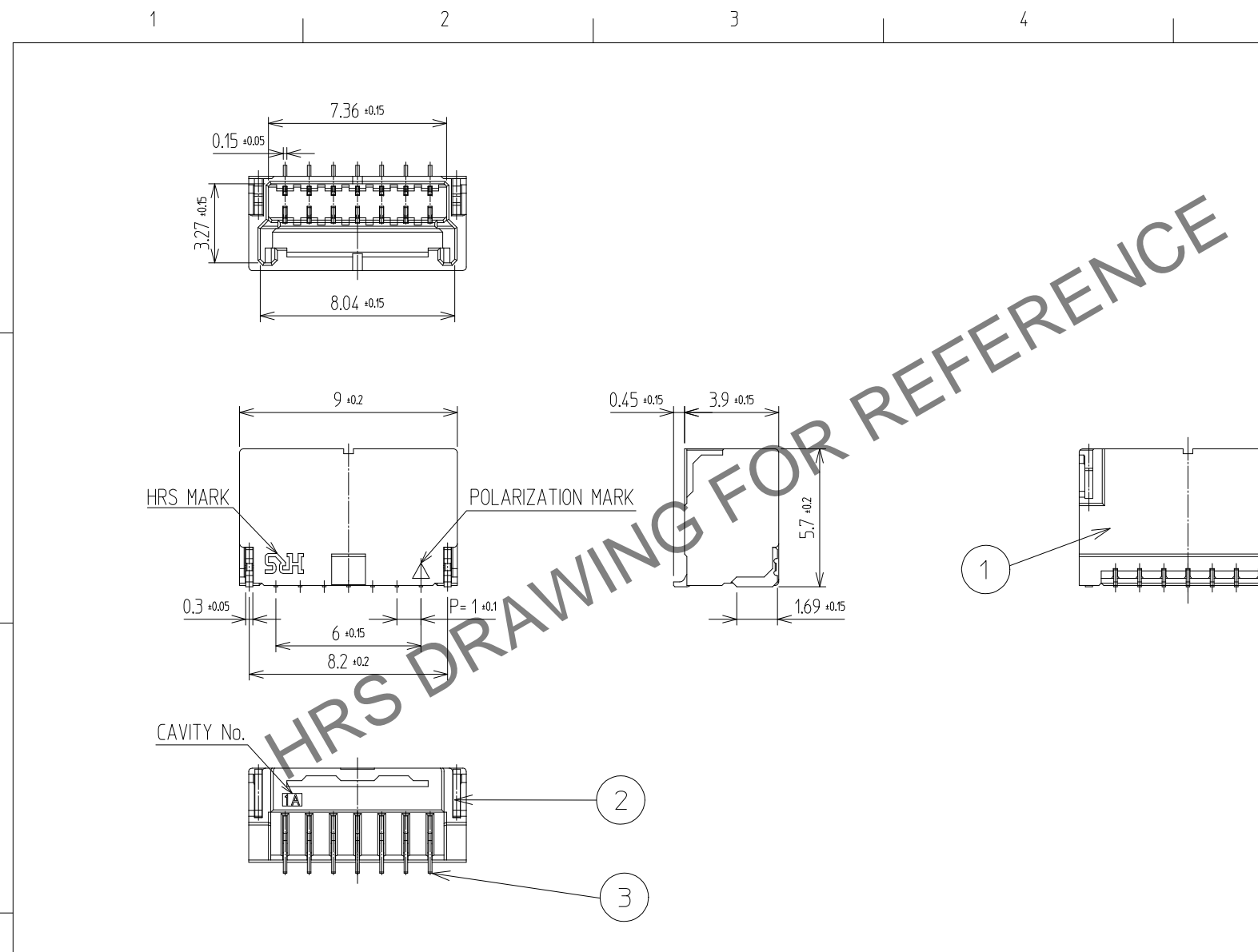
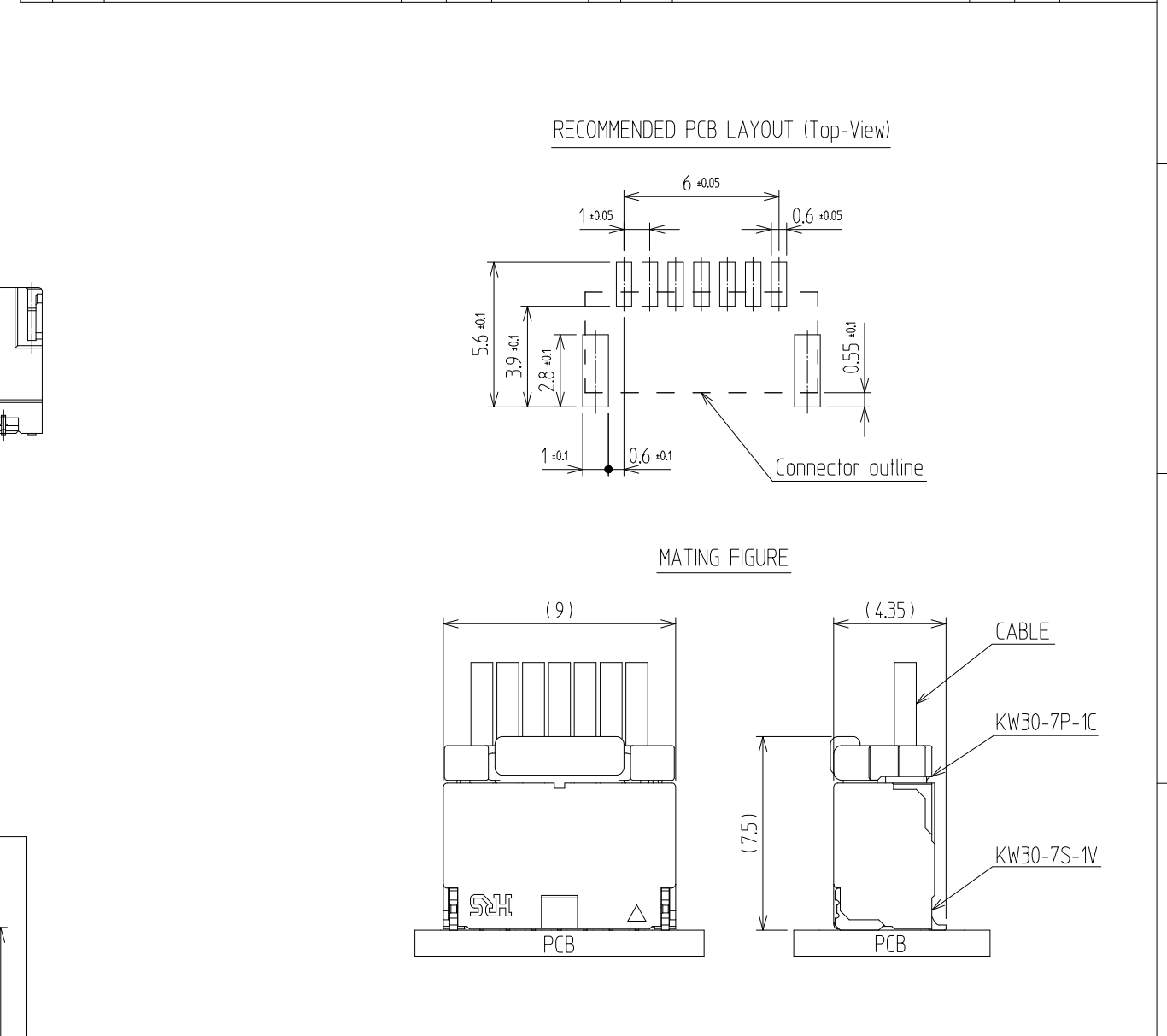
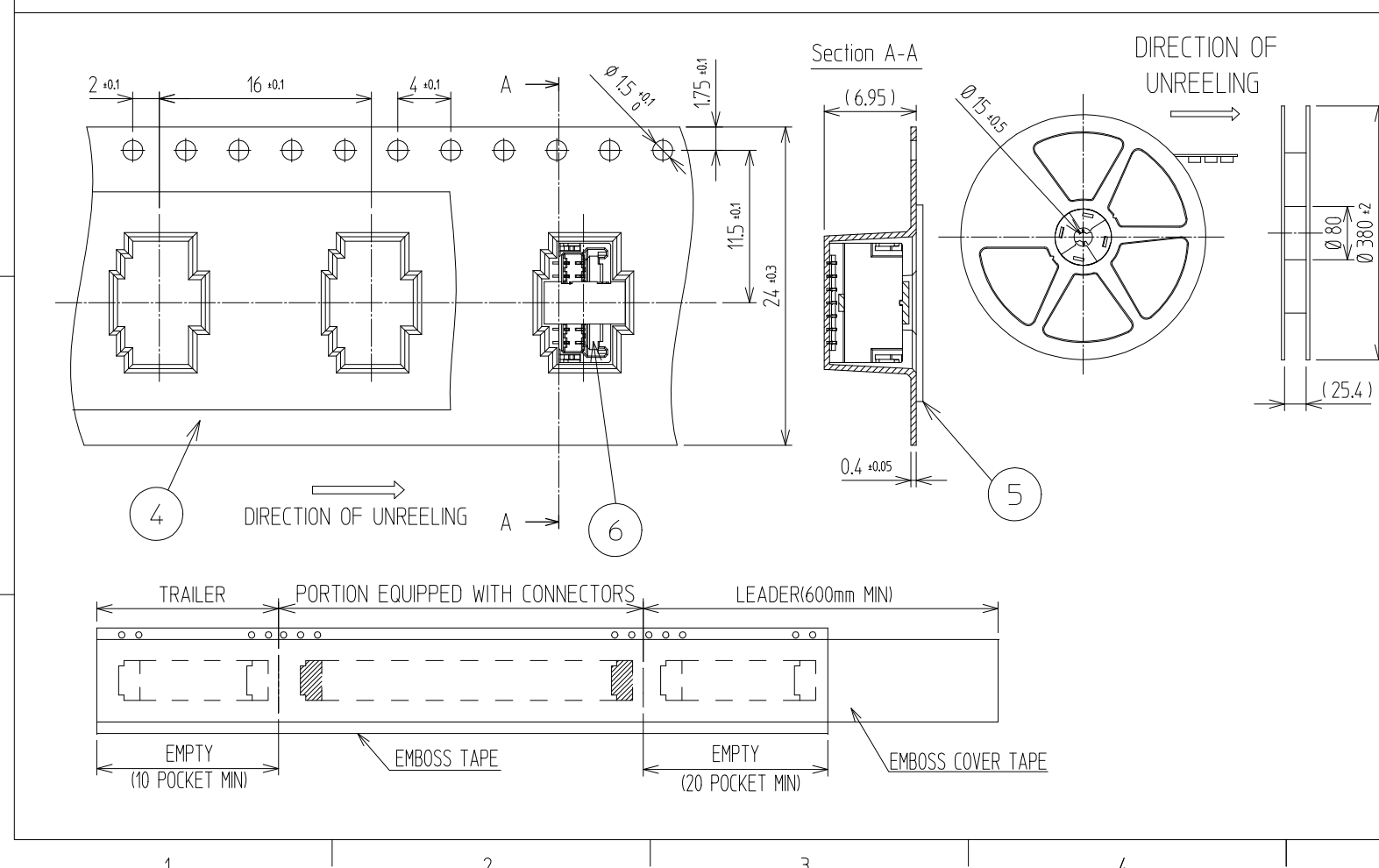


In case of consideration for using Automotive equipment / device which demand high reliability, kindly contact our sales window.



△數 COUNT	訂正事項 DISCUSSION OF REVISIONS	擔當 B	檢圖 CHKD	年月日 DATE	△數 COUNT	訂正事項 DISCUSSION OF REVISIONS	擔當 B	檢圖 CHKD	年月日 DATE
△					△				
△					△				
△					△				



NOTE  
 1. LEAD CO-PLANARITY SHALL BE 0.1mmMAX  
 2. 1REEL : 800EA CONNECTORS  
 3. UL(File No. E132750) AUTHORIZATION ARTICLE.  
 C-UL(File No. E132750) AUTHORIZATION ARTICLE.

3	COPPER ALLOY	CONTACT AREA : GOLD 0.2µm MIN. SMT LEAD : GOLD 0.05µm MIN. UNDER PLATING : NICKEL 1µm MIN.	6	CONNECTOR	KW30-7S-1V
2	PHOSPHOR BRONZE	Sn PLATED	5	PET	COVER TAPE
1	LCP	UL94-V0, BLACK	4	PS	EMBOSS CARRIER TAPE
NO.	MATERIAL	FINISH,REMARKS	NO.	MATERIAL	FINISH,REMARKS

CODE NO. (OLD)		DRAWN	DESIGNED	CHECKED	APPROVED	RELEASED
		CHOI 23.12.04 H.S	CHOI 23.12.04 H.S	LIM 23.12.04 S.M	LIM 23.12.04 S.M	
DRAWING NO. EDC3-634217		PART NO. KW30-7S-1V				
SCALE 2:1 UNITS mm		HRS HIROSE KOREA CO.,LTD.		CODE NO. CL 6669-0022-3		1/1