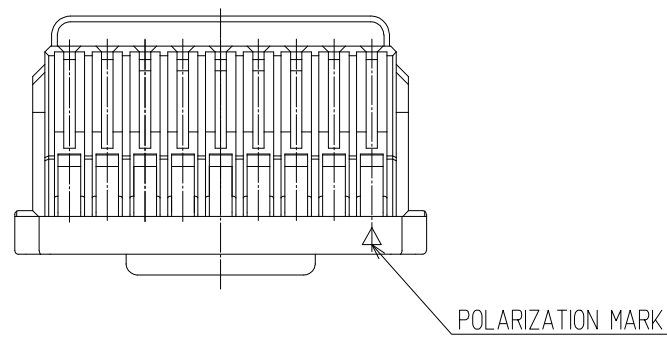
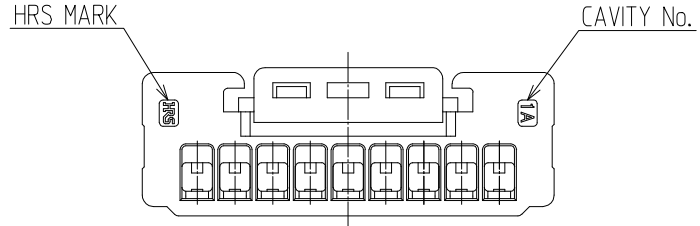
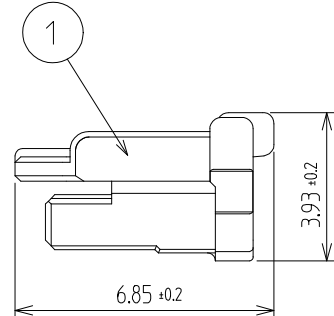
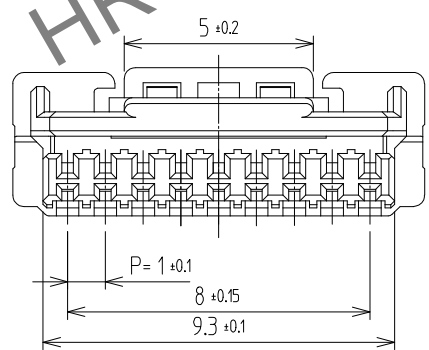
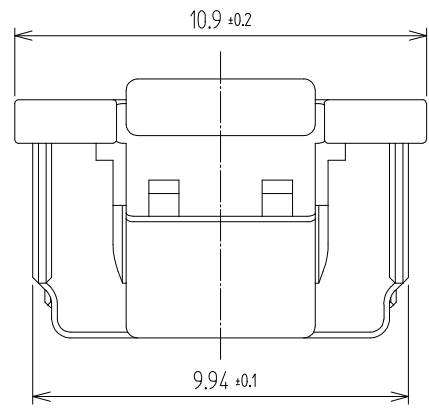


Dec.1.2024 Copyright 2024 HIROSE ELECTRIC CO., LTD. All Rights Reserved.
In case of consideration for using Automotive equipment / device which demand high reliability, kindly contact our sales window



HRS DRAWING FOR REFERENCE

△數 COUNT	訂正事項 DISCRIPTION OF REVISIONS	擔當 B	檢圖 CHKD	年月日 DATE	△數 COUNT	訂正事項 DISCRIPTION OF REVISIONS	擔當 B	檢圖 CHKD	年月日 DATE
△				. . .	△				. . .
△				. . .	△				. . .
△				. . .	△				. . .

NOTE

- 1PACK CONTAINS 1,000PCS.
- UL(File No. E132750) AUTHORIZATION ARTICLE.
C-UL(File No. E132750) AUTHORIZATION ARTICLE.



1	PA66	UL94-V0, BLACK							
NO.	MATERIAL	FINISH,REMARKS	NO.	MATERIAL	FINISH,REMARKS				
CODE NO. (OLD)			DRAWN	DESIGNED	CHECKED	APPROVED	RELEASED		
			KIM 24.05.14 H.R	KIM 24.05.14 H.R	PARK 24.05.14 I.K	LIM 24.05.14 S.M			
DRAWING NO. EDC3-634426		PART NO. KW30-9P-1C							
SCALE 5:1 UNITS mm		HRS HIROSE KOREA CO.,LTD.			CODE NO. CL 6669-0037-0			1/1	