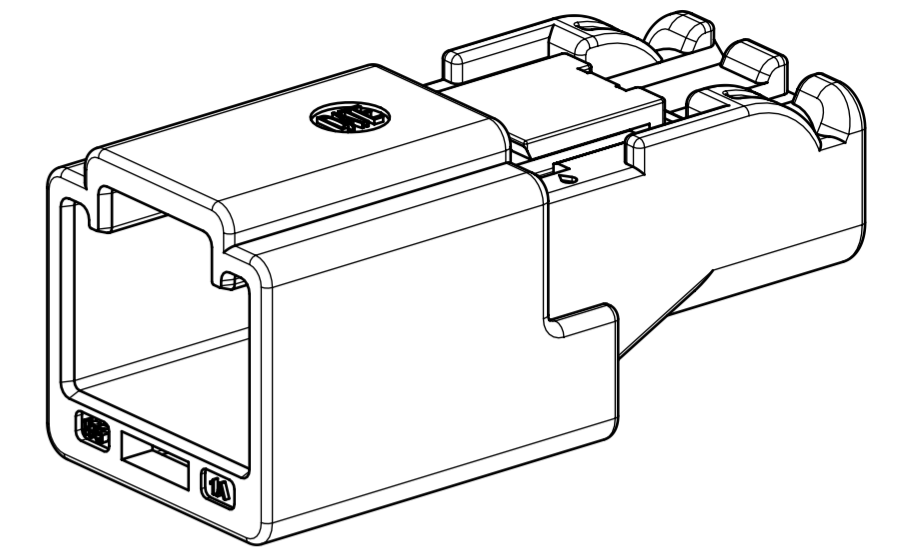
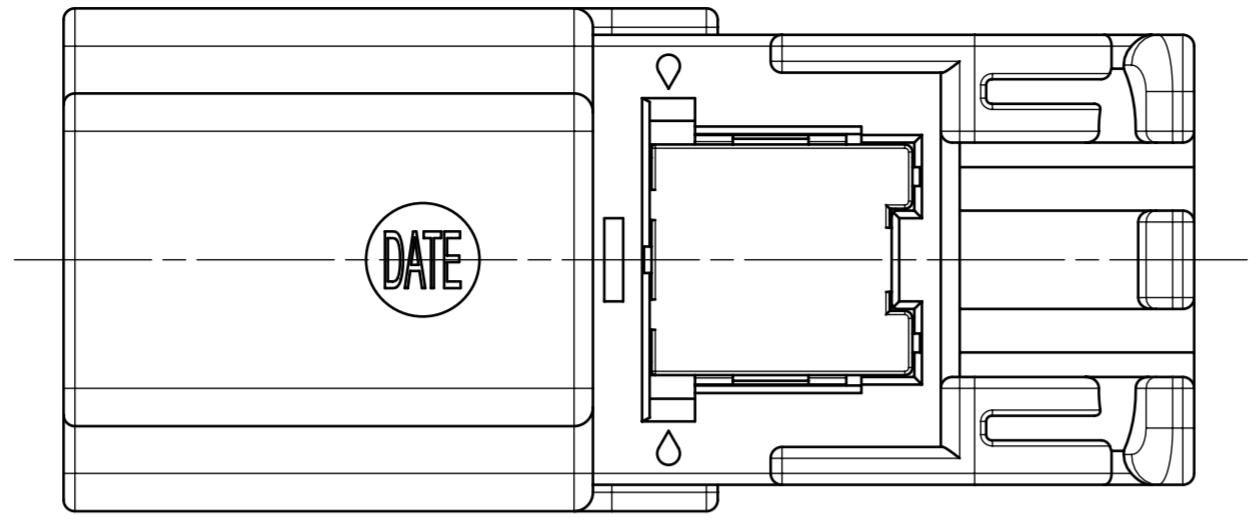
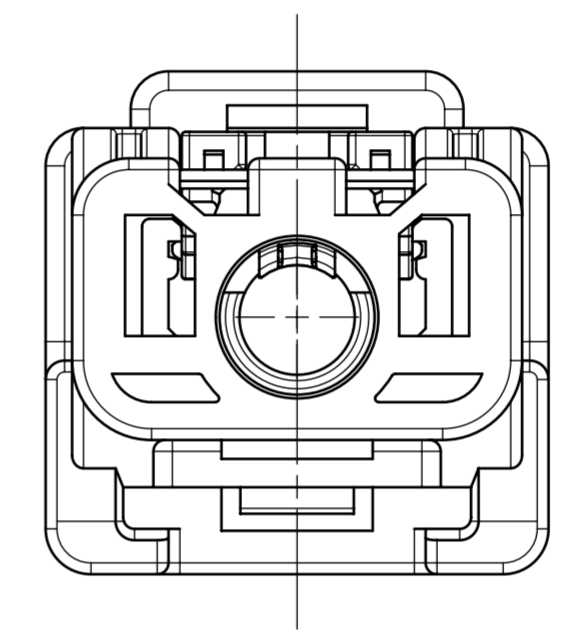
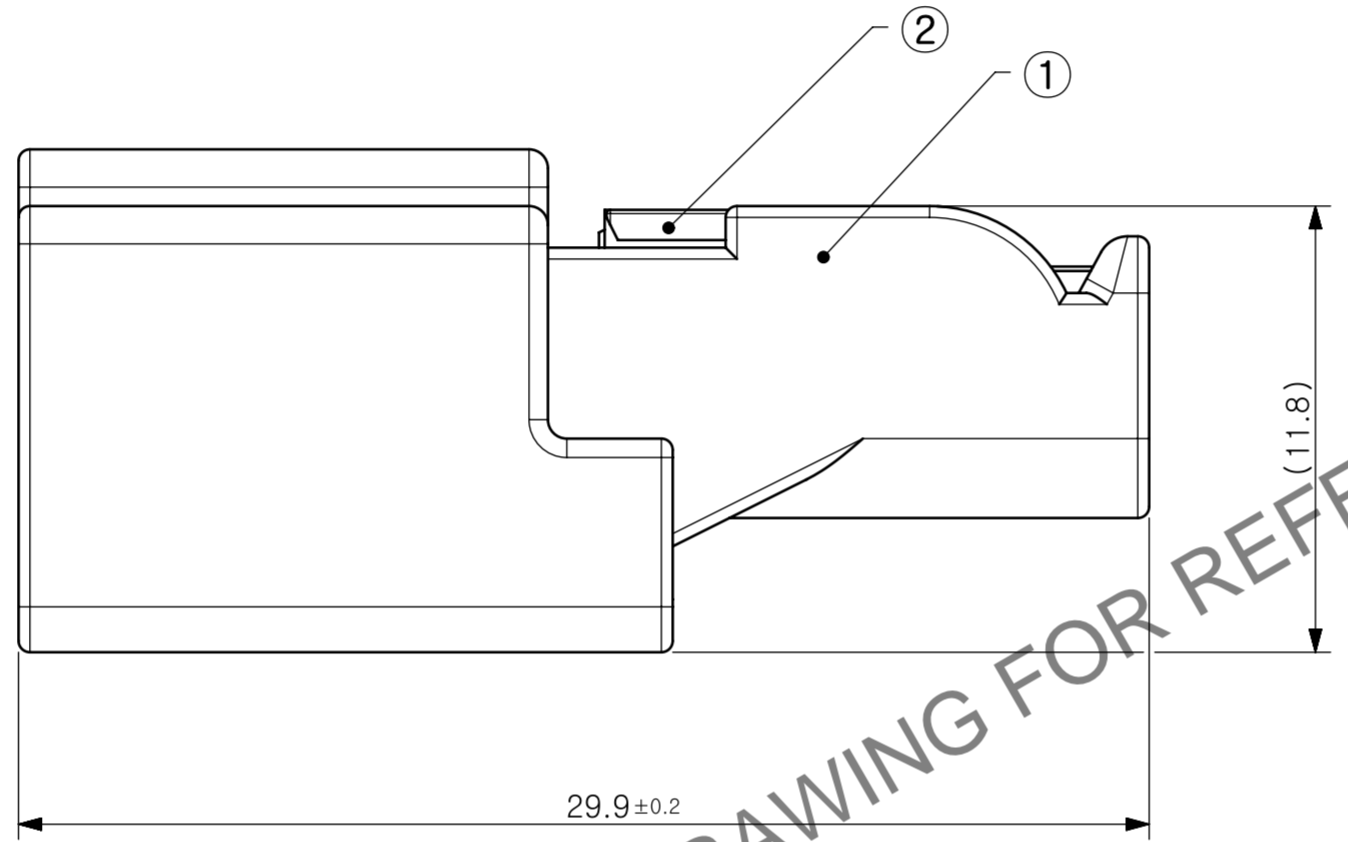
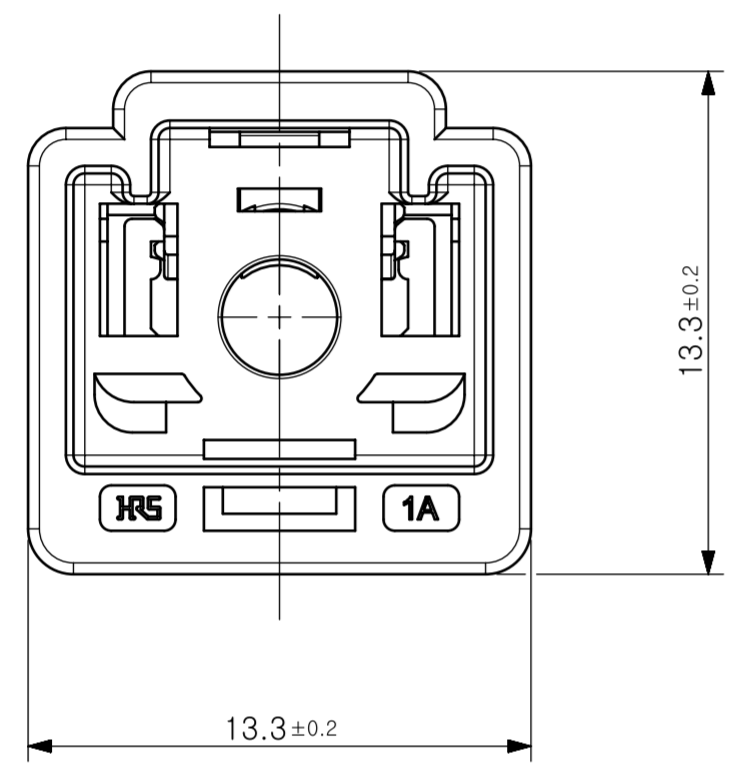


ELV. RoHS COMPLIANT

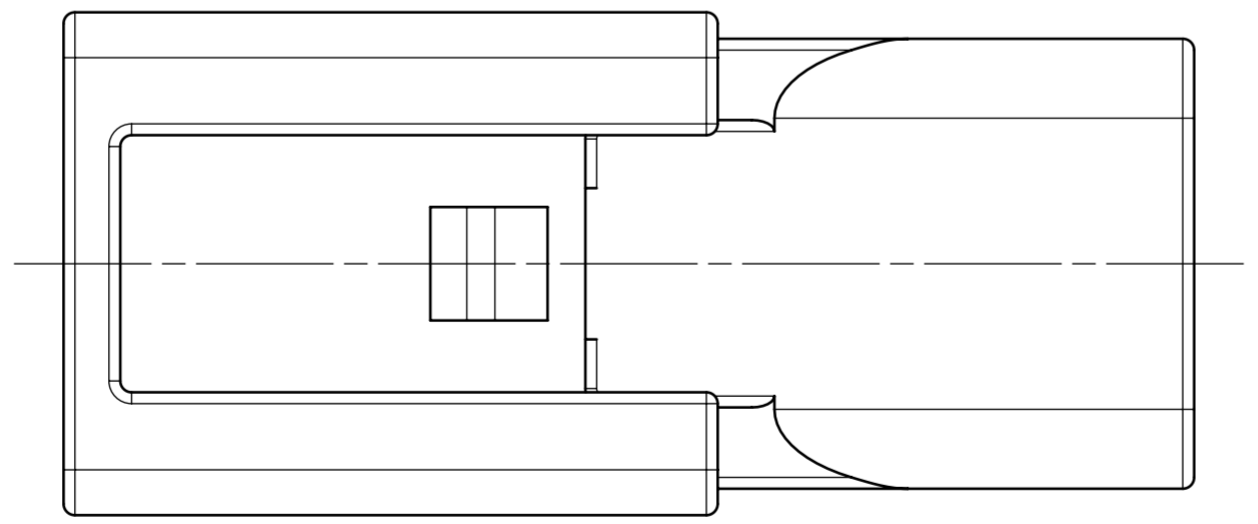
6		7				8					
△數	訂正記事	擔當	檢圖	承認	年月日	△數	訂正記事	擔當	檢圖	承認	年月日
COUNT	DESCRIPTION OF REVISIONS	BY	CHKD	APPD	DATE	COUNT	DESCRIPTION OF REVISIONS	BY	CHKD	APPD	DATE
△						△					
△						△					
△						△					



ISO VIEW



HRS DRAWING FOR REFERENCE



NOTE

1. Applicable Terminal

	PART NO	PART NAME
Ø3.0 TML	6482-0057-3-800	KMA01-3.0P-SA(03)(800)
	6452-0005-7-800	KMA01-3.0PCF(800)
	6459-0005-2-800	KMA01-3.0-SL(03)(800)

2. Applicable Female Connector

	PART NO	PART NAME
W to W	6441-0054-3-800	KMA01-1S-HA(01)/GR(800)

3. KMA01-1S-HA TPA is not missing parts and not fully assembled.
- Maintain the first assembly.

1	PBT	-	2	PBT	-
No.	MATERIAL	FINISH,REMARKS	No.	MATERIAL	FINISH,REMARKS
CODE NO. (OLD)			DRAWN DESIGNED CHECKED APPROVED RELEASED		
			S.J MOON	S.J MOON	J.M KIM B.H. AN
			25.10.28	25.10.28	25.10.28 25.10.28
DRAWING NO.			PART NO.		
EDC2-631835-00			KMA01-1P-HA(01)/GR(800)		
SCALE 5:1			CODE NO.		
UNITS mm			CL 6442-0047-3-800		
HRS HIROSE KOREA CO.,LTD.			1/1		

Apr.1.2026 Copyright 2026 HIROSE ELECTRIC CO., LTD. All Rights Reserved.
In case of consideration for using Automotive equipment / device which demand high reliability, kindly contact our sales window correspondents.