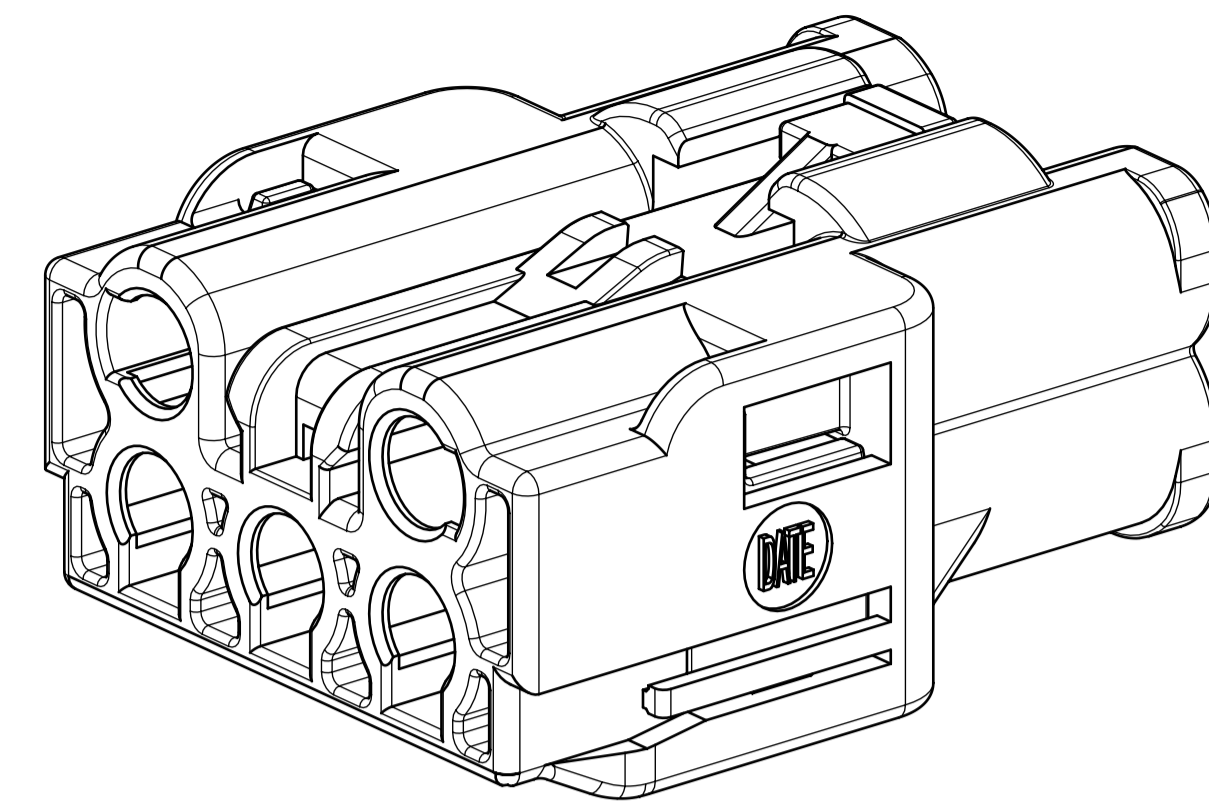
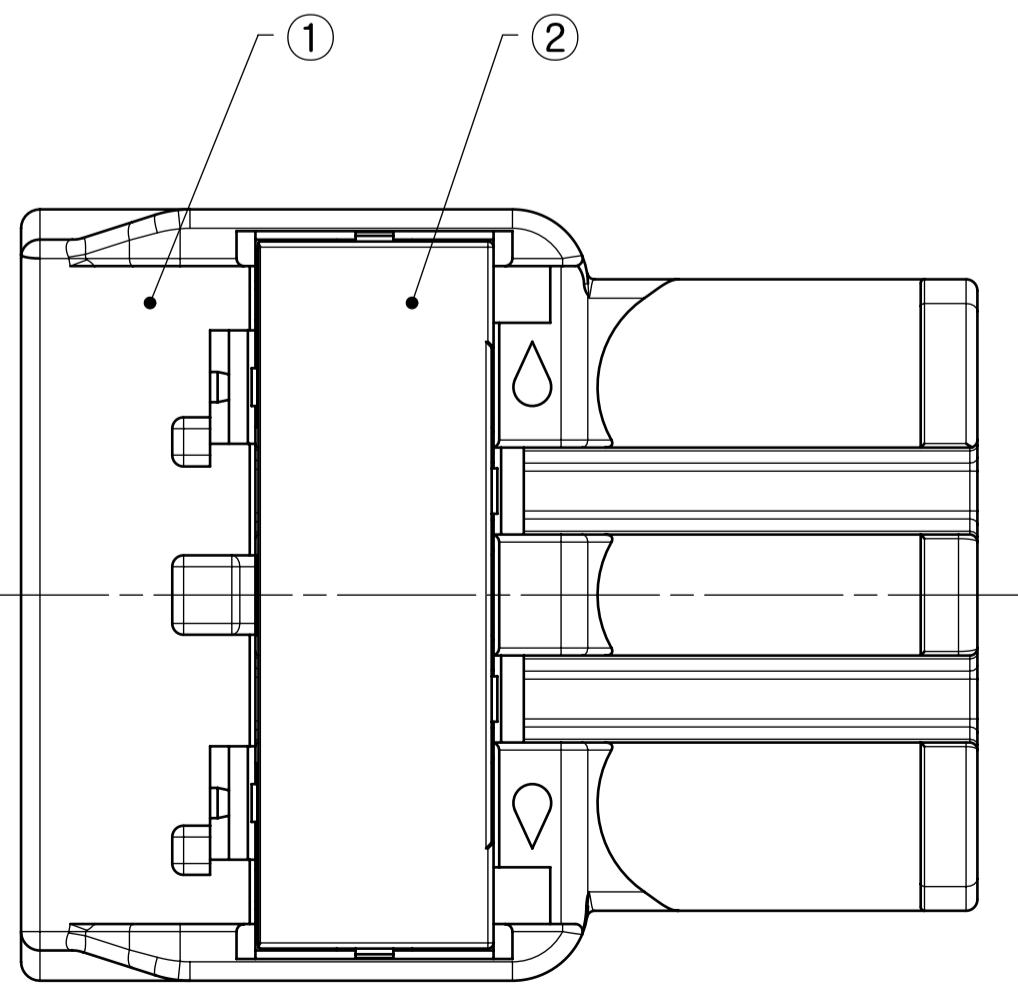
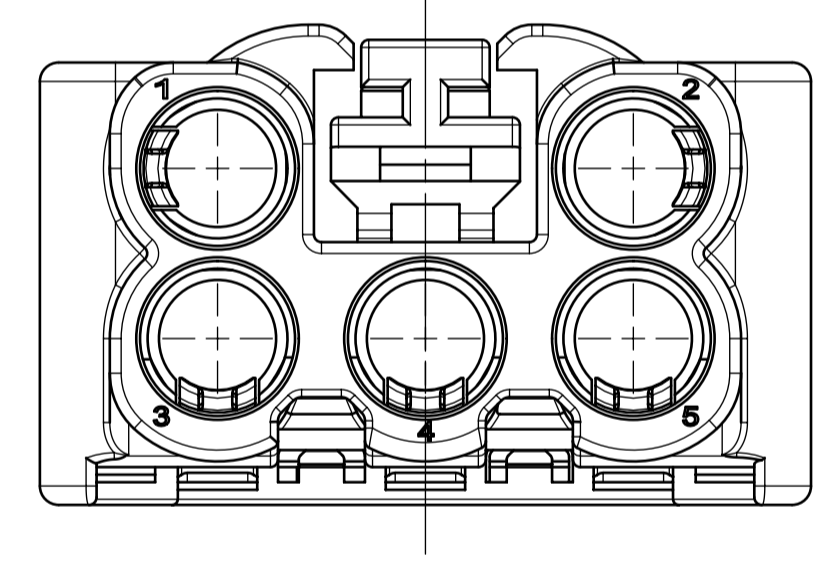
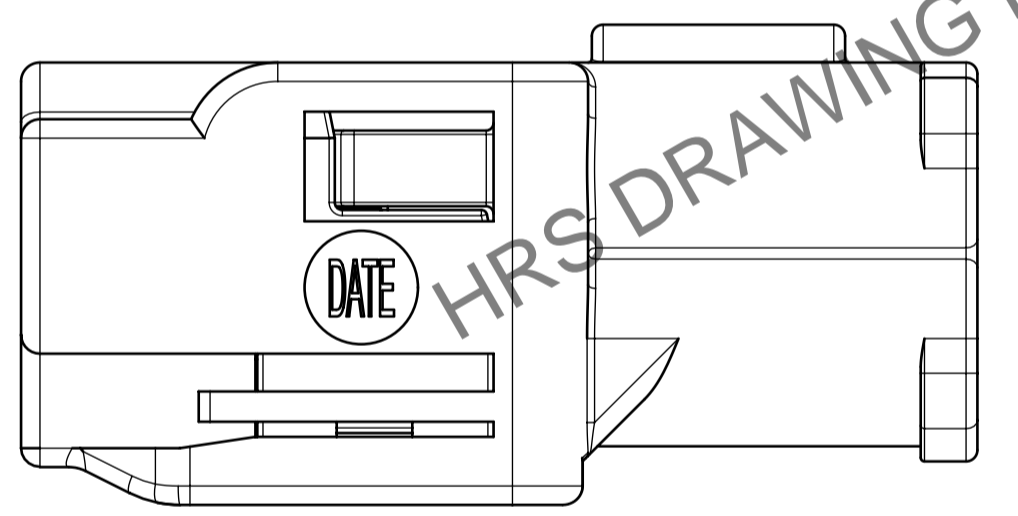
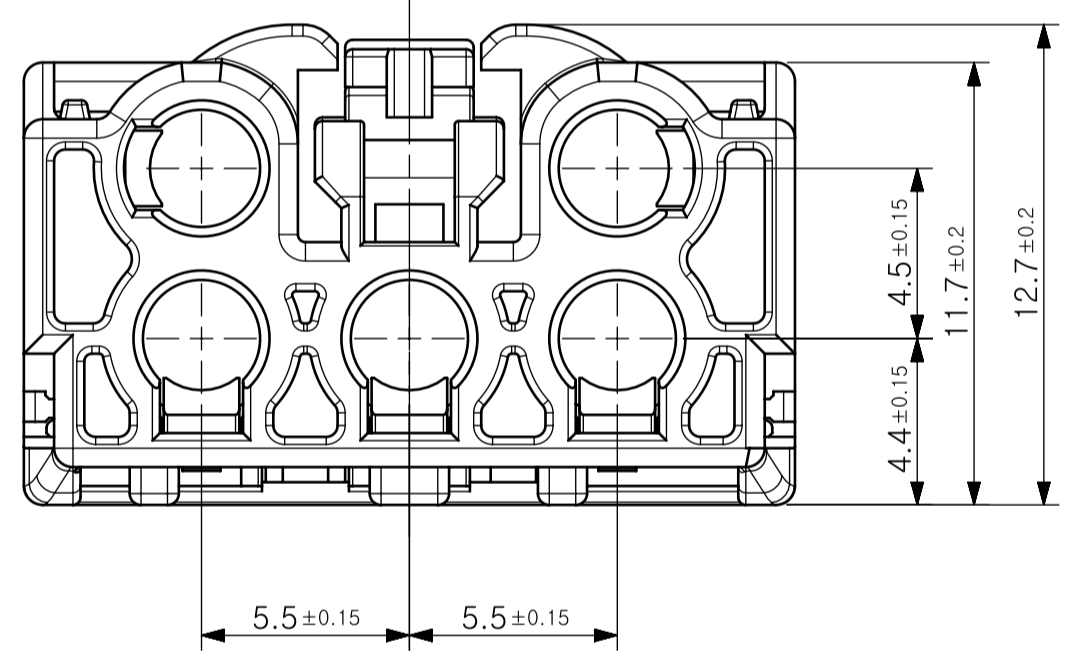
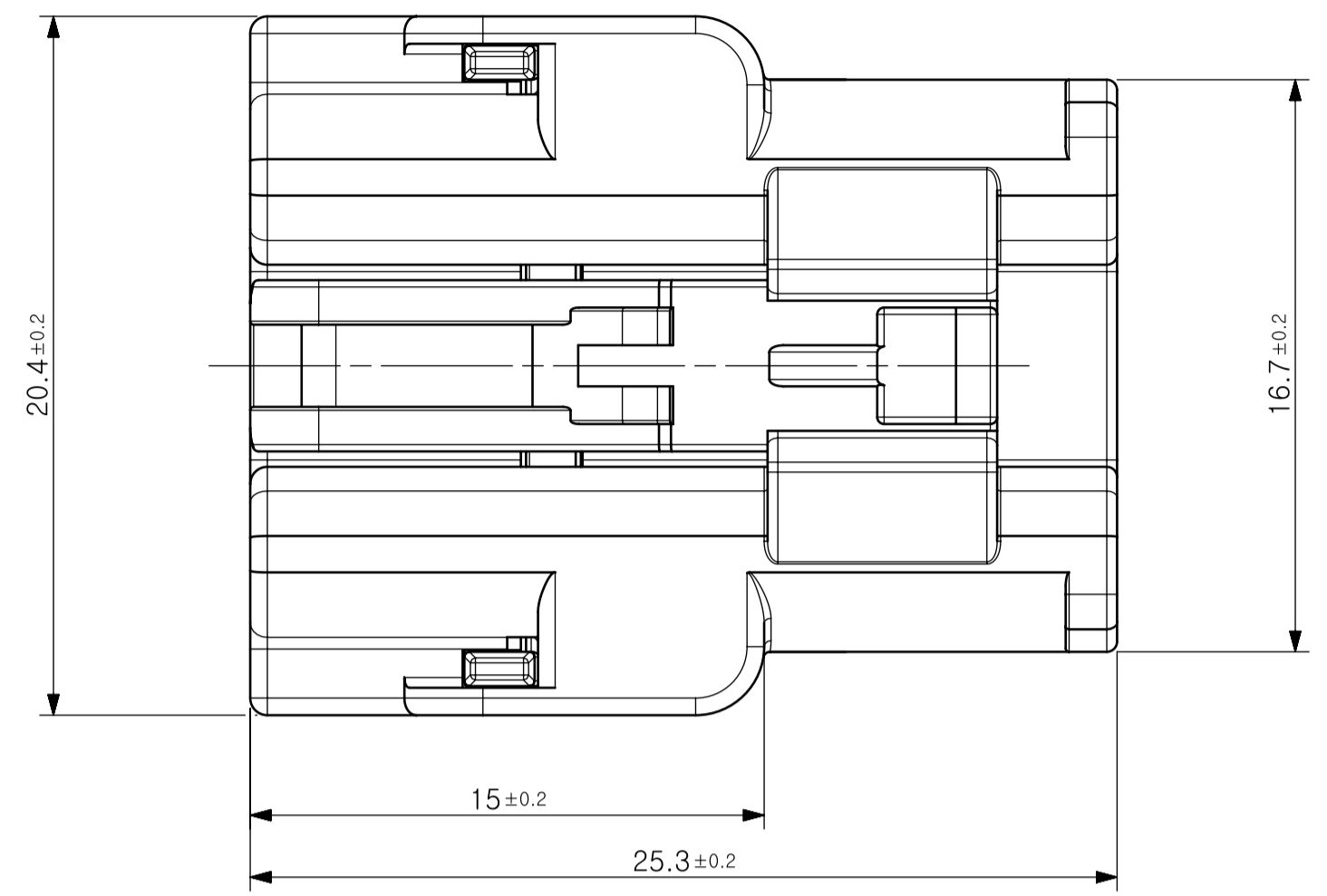


ELV. RoHS COMPLIANT

13		14		15		16	
△數	訂正記事	檢査	檢査	承認	年月日	△數	訂正記事
COUNT	DESCRIPTION OF REVISIONS	BY	CHKD	APPO	DATE	COUNT	DESCRIPTION OF REVISIONS



ISO VIEW



HRS DRAWING FOR REFERENCE

NOTE

1. Applicable Terminal

	PART NO	PART NAME
Ø3.0 TML	6482-0058-3-800	KMA01-3.0S-SA(03)(800)
	6451-0009-7-800	KMA01-3.0SCF(800)
	6459-0005-2-800	KMA01-3.0-SL(03)(800)

2. Applicable Female Connector

	PART NO	PART NAME
W to W	6482-0030-3-800	KMA01-5DP-5.5HA/GR(800)

3. KMA01-5DS-5.5HA/GR TPA is not missing parts and not fully assembled.
- Maintain the first assembly.

1		2	
No.	PBT MATERIAL	No.	PBT MATERIAL
FINISH.REMARKS		FINISH.REMARKS	
CODE NO. (OLD)		DRAWN DESIGNED CHECKED APPROVED RELEASED	
		S.J. MOON S.J. MOON J.M. KIM B.H. AN	
		25.10.28 25.10.28 25.10.28 25.10.28	
DRAWING NO.		PART NO.	
EDC1-611764-00		KMA01-5DS-5.5HA/GR(800)	
SCALE		CODE NO.	
5:1		CL 6482-0030-3-800	
UNITS		1/1	
mm		HRS HIROSE KOREA CO., LTD.	

In case of consideration for using Automotive equipment / device which demand high reliability, kindly contact our sales window correspondents.
Mar.1.2028 Copyright 2026 HIROSE ELECTRIC CO., LTD. All Rights Reserved.