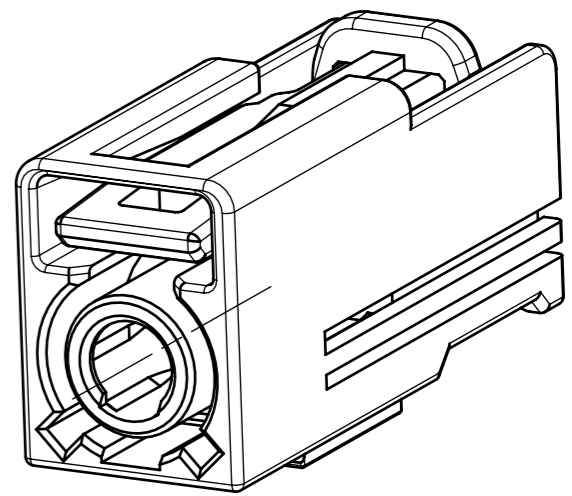
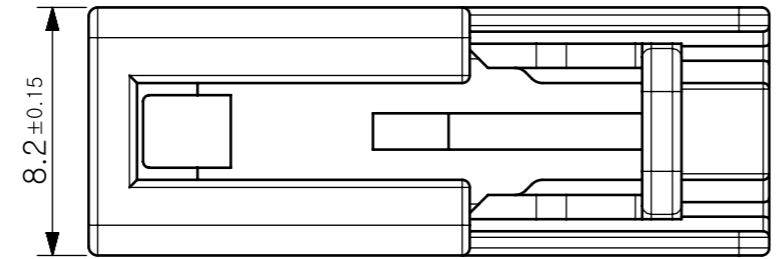


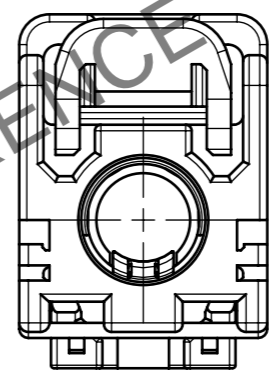
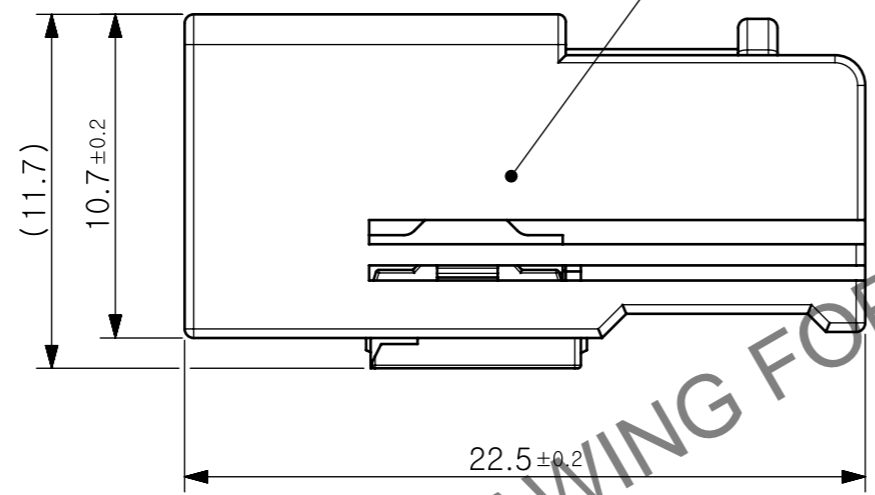
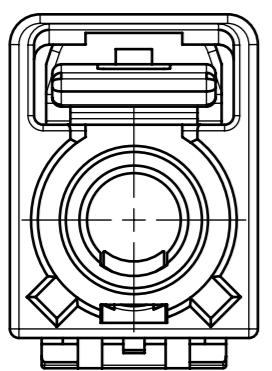
Mar.1.2026 Copyright 2026 HIROSE ELECTRIC CO., LTD. All Rights Reserved.
In case of consideration for using Automotive equipment / device which demand high reliability, kindly contact our sales window correspondents.

ELV. RoHS COMPLIANT

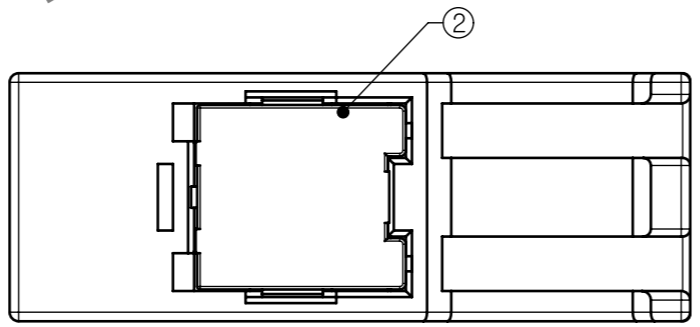
△數 COUNT		訂正記事 DESCRIPTION OF REVISIONS			擔當 檢圖 BY CHKD		年月日 DATE		△數 COUNT		訂正記事 DESCRIPTION OF REVISIONS			擔當 檢圖 BY CHKD		年月日 DATE		



ISO VIEW



HRS DRAWING FOR REFERENCE



NOTE

1. Applicable Terminal

	Part No	Part Name
∅3.0	6482-0058-3	KMA01-3.0S-SA(03)
TML	6451-0009-7	KMA01-3.0SCF
Spec	6459-0005-2	KMA01-3.0-SL(03)

2. Applicable Receptacle

	Part No	Part Name
B to W	6482-0039-2	KMA01-1P-DS/B
	6482-0034-2	KMA01-1P-V/B

3. KMA01-1S-HA/B TPA is not missing parts and not fully assembled.
- Maintain the first assembly.

1	PBT	-	2	PBT	-
No.	MATERIAL	FINISH,REMARKS	No.	MATERIAL	FINISH,REMARKS
CODE NO. (OLD)			DRAWN	DESIGNED	CHECKED
			S.J MOON	S.J MOON	K.H JANG
			25.10.28	25.10.28	25.10.28
			APPROVED	RELEASED	
			B.H. AN	ENG	25.10.28
				DEPT	
DRAWING NO. EDC3-634810-00			PART NO. KMA01-1S-HA/B(800)		
SCALE 4:1	HRS HIROSE KOREA CO.,LTD.		CODE NO. CL 6441-0041-2-800		
UNITS mm					

1/1