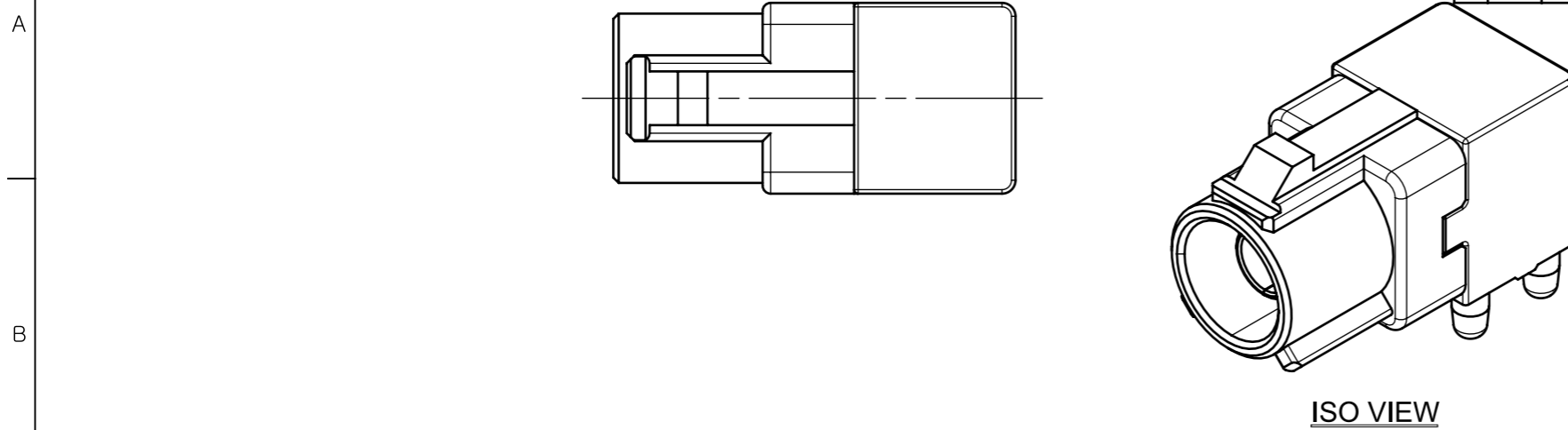


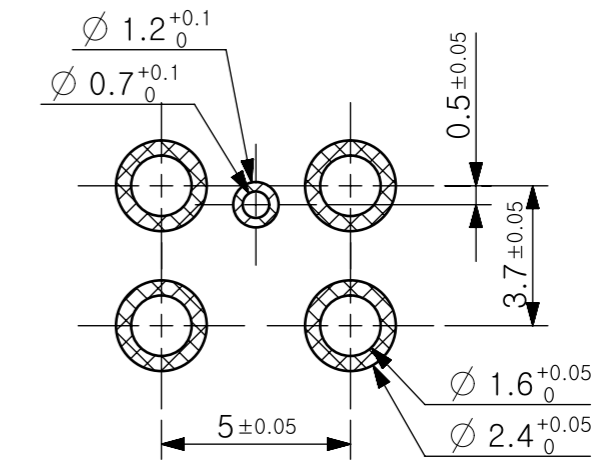
Mar.1.2026 Copyright 2026 HIROSE ELECTRIC CO., LTD. All Rights Reserved.
In case of consideration for using Automotive equipment / device which demand high reliability, kindly contact our sales window correspondents.

ELV. RoHS COMPLIANT

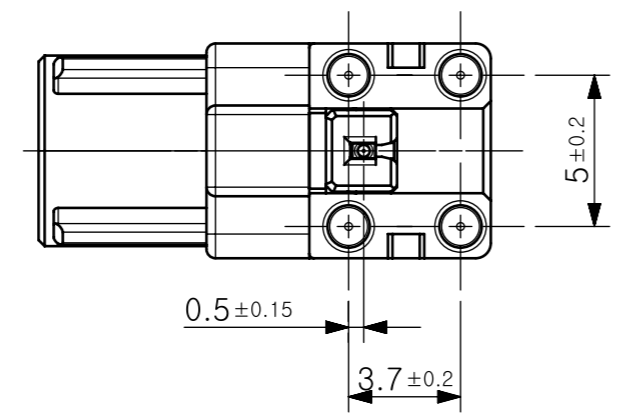
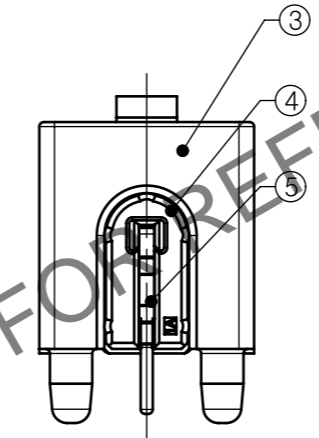
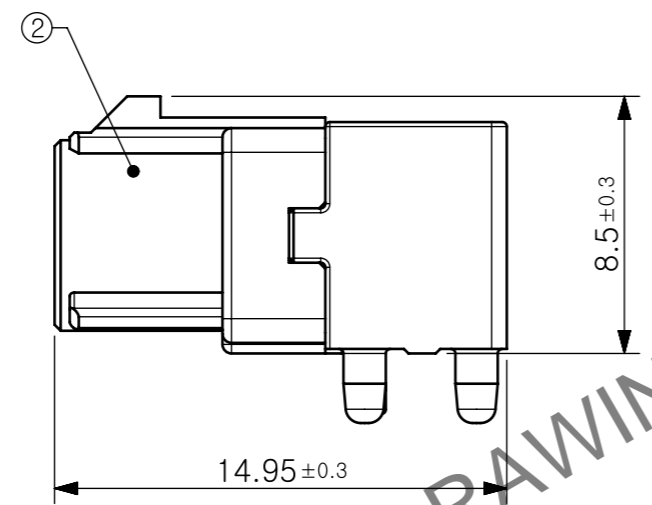
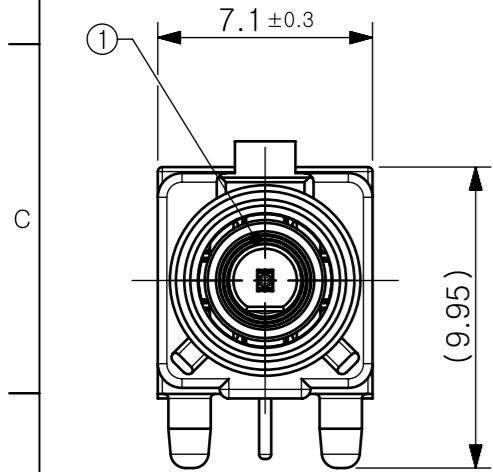
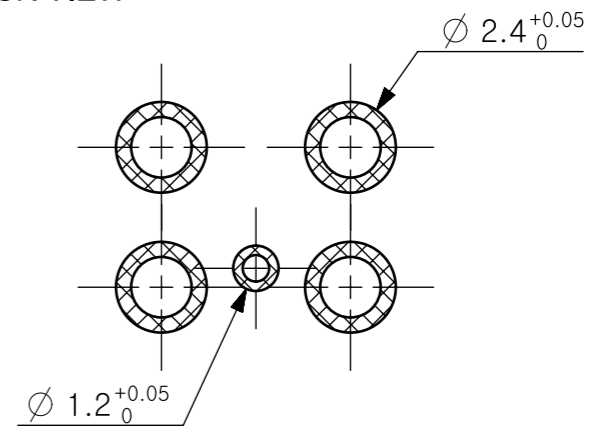
△數 COUNT	訂正記事 DESCRIPTION OF REVISIONS	擔當 BY	檢圖 CHKD	年月日 DATE	△數 COUNT	訂正記事 DESCRIPTION OF REVISIONS	擔當 BY	檢圖 CHKD	年月日 DATE
1	RE-4-5627	MSJ	ABH	26.03.10					



RECOMMENDED PCB LAYOUT(5:1)
-TOP VIEW-



-BACK VIEW-



HRS DRAWING FOR REFERENCE

NOTE

1. Applicable Plug
2. Peak Temperature : 260°C Peak, 10Sec Max.
3. No. of Soldering's Cycles : 2 Max
4. Recommended PCB Thickness is 1.6mm.
5. Recommended Solder Thickness is 0.12mm.
6. Reel Packaging Quantity : 400EA

	PART NO	PART NAME
W to B	6441-0041-2-800	KMA01-1S-HA/B(800)

No.	MATERIAL	FINISH,REMARKS	No.	MATERIAL	FINISH,REMARKS
7	PET	COVER TAPE	6	PS	EMBOSS CARRIER TAPE
5	BRASS	Ni+Sn+Au	4	PA	BLACK
3	ZNDC2	Ni+Sn	2	PA	BLACK
1	BRASS	Sn			

CODE NO. (OLD)	DRAWN	DESIGNED	CHECKED	APPROVED	RELEASED
	S.J MOON 25.10.28	S.J MOON 25.10.28	K.H JANG 25.10.28	B.H. AN 25.10.28	ENG 25.10.28 DEPT

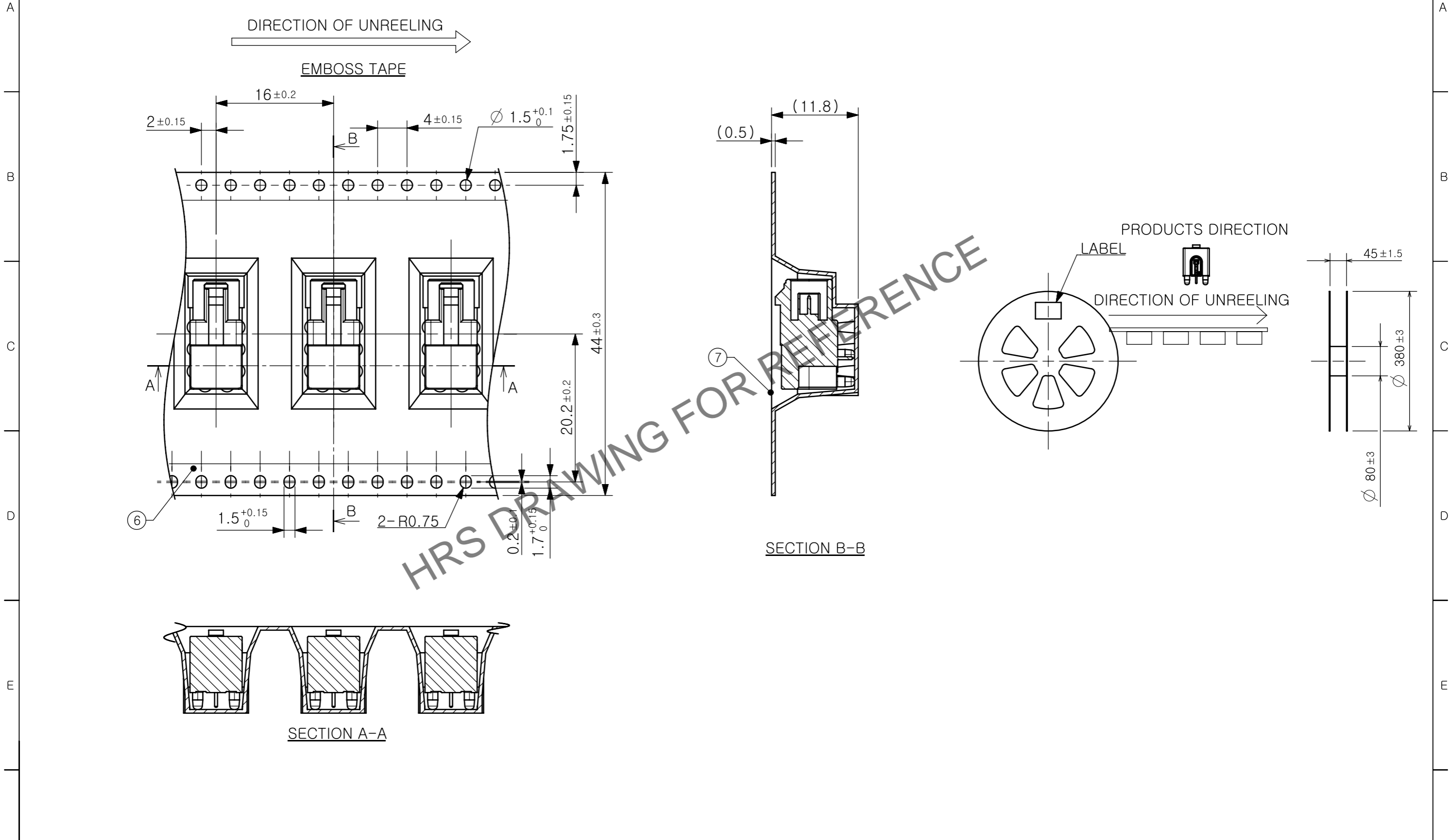
DRAWING NO. EDC3-634809-00	PART NO. KMA01-1P-DS/B(800)
SCALE 4:1	CODE NO. CL 6482-0039-2-800
UNITS mm	1/2



Mar.1.2026 Copyright 2026 HIROSE ELECTRIC CO., LTD. All Rights Reserved.
 In case of consideration for using Automotive equipment / device which demand high reliability, kindly contact our sales window correspondents.

PACKING STYLE \triangle

\triangle 數 COUNT	訂正記事 DESCRIPTION OF REVISIONS	擔當 BY	檢圖 CHKD	年月日 DATE	\triangle 數 COUNT	訂正記事 DESCRIPTION OF REVISIONS	擔當 BY	檢圖 CHKD	年月日 DATE
\triangle 1	RE-4-5627	MSJ	ABH	26.03.10					



HRS DRAWING FOR REFERENCE

	DRAWING NO.	PART NO.	
	EDC3-634809-00	KMA01-1P-DS/B(800)	
SCALE 2:1	HIROSE KOREA CO.,LTD.	CODE NO.	2
UNITS mm		CL 6482-0039-2-800	2