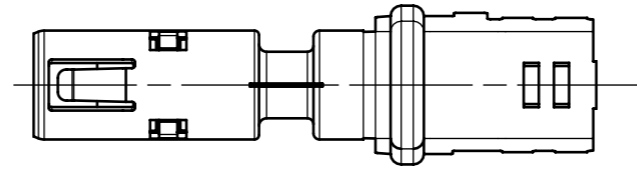
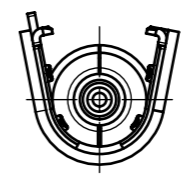
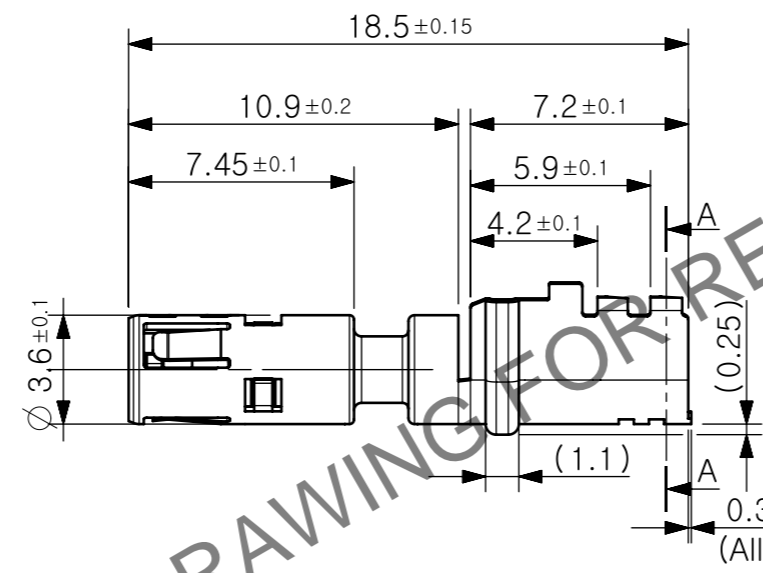
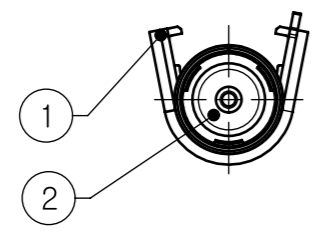
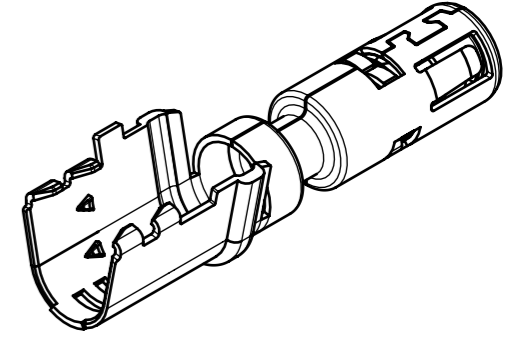
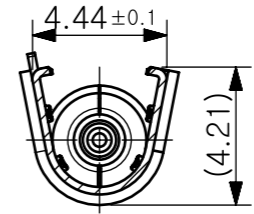
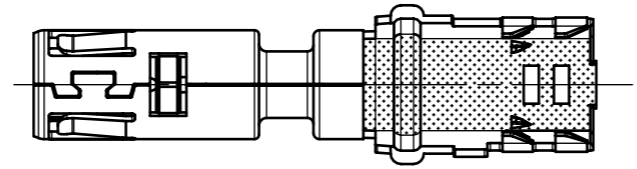
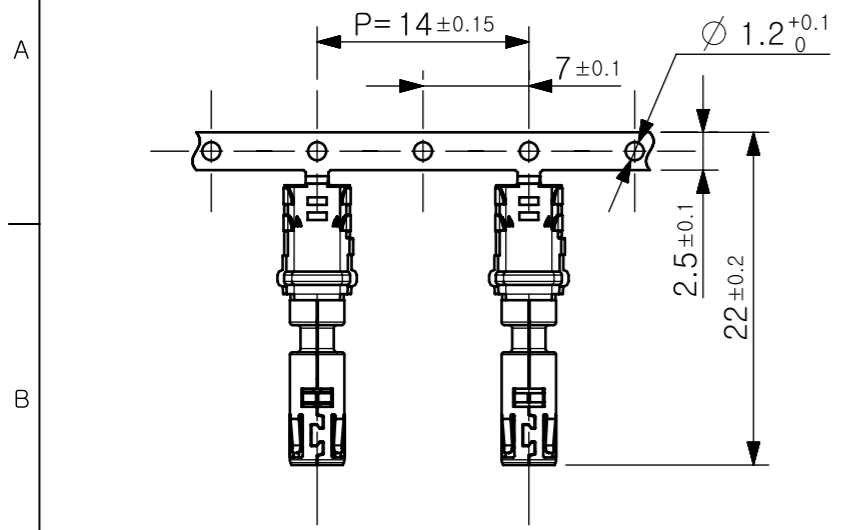


Apr.1.2026 Copyright 2026 HIROSE ELECTRIC CO., LTD. All Rights Reserved.
In case of consideration for using Automotive equipment / device which demand high reliability, kindly contact our sales window correspondents.

ELV. RoHS COMPLIANT

△數 COUNT	訂正記事 DESCRIPTION OF REVISIONS	擔當 BY	檢圖 CHKD	承認 APPD	年月日 DATE	△數 COUNT	訂正記事 DESCRIPTION OF REVISIONS	擔當 BY	檢圖 CHKD	承認 APPD	年月日 DATE



HRS DRAWING FOR REFERENCE

NOTE

- 1. 1Pack : 1,000EA
- 2. Applicable Cable : Other than 1.5D

1	COPPER ALLOY	Sn	2	PBT	GRAY
No.	MATERIAL	FINISH,REMARKS	No.	MATERIAL	FINISH,REMARKS
CODE NO. (OLD)			DRAWN	DESIGNED	CHECKED
			S.J MOON 25.10.28	S.J MOON 25.10.28	K.H JANG 25.10.28
			APPROVED	RELEASED	
			B.H. AN 25.10.28	ENG 25.10.28 DEPT	
DRAWING NO. EDC3-634544-00			PART NO. KMA01-3.0S-SA(03)(800)		
SCALE 4:1	UNITS mm		CODE NO. CL 6482-0058-3-800		
					1/1