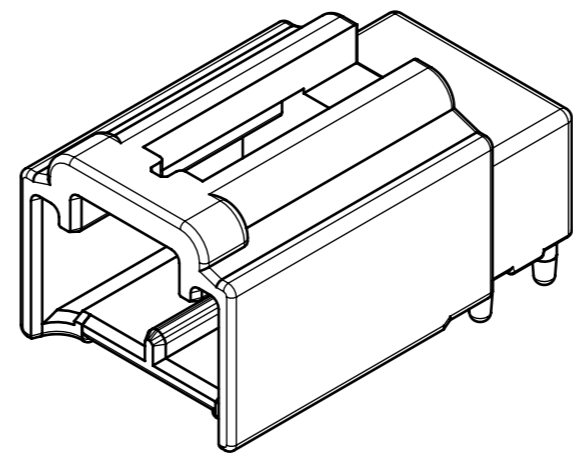
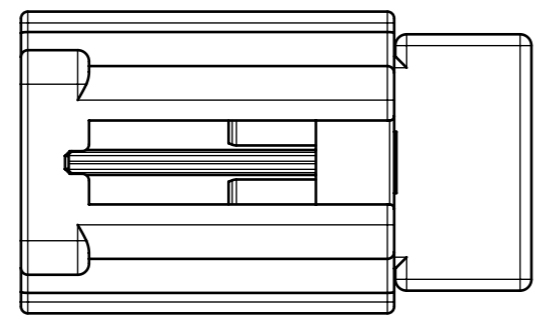


Mar.1.2026 Copyright 2026 HIROSE ELECTRIC CO., LTD. All Rights Reserved.
In case of consideration for using Automotive equipment / device which demand high reliability, kindly contact our sales window correspondents.

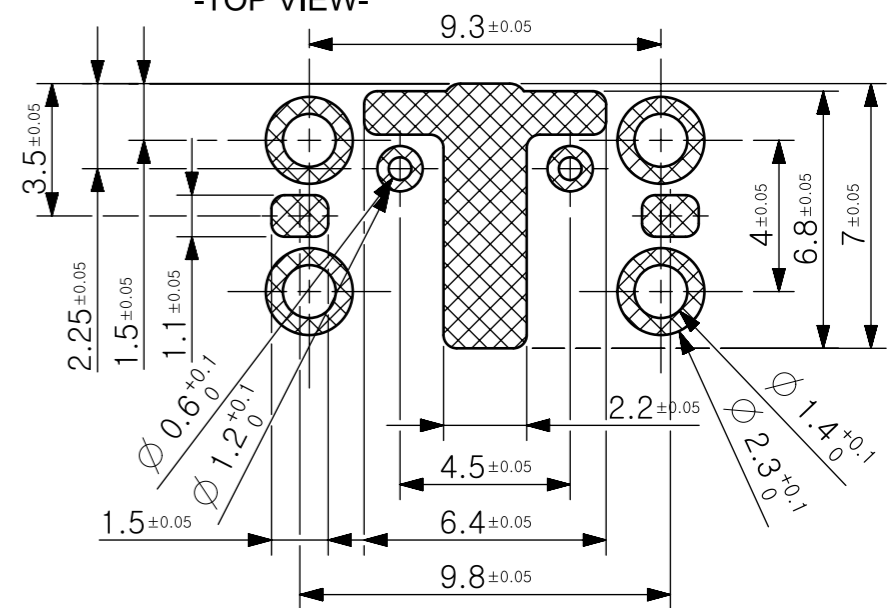
ELV. RoHS COMPLIANT

△數 COUNT	訂正記事 DESCRIPTION OF REVISIONS	擔當 BY	檢圖 CHKD	年月日 DATE	△數 COUNT	訂正記事 DESCRIPTION OF REVISIONS	擔當 BY	檢圖 CHKD	年月日 DATE
3	RE-4-5665	MSJ	ABH	26.03.23					

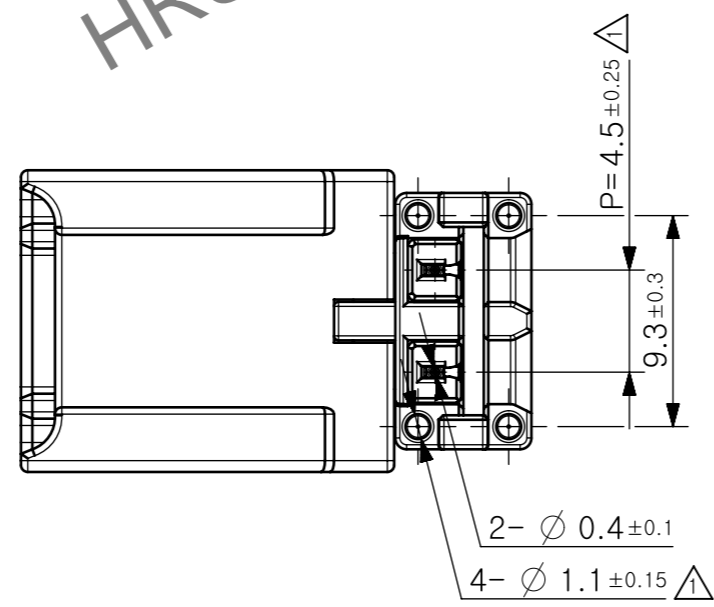
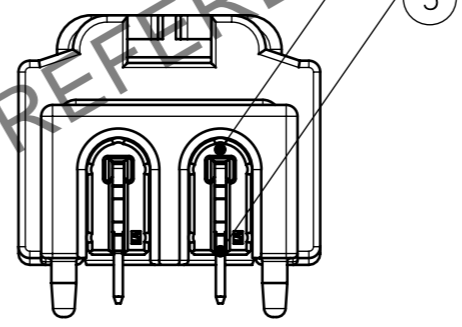
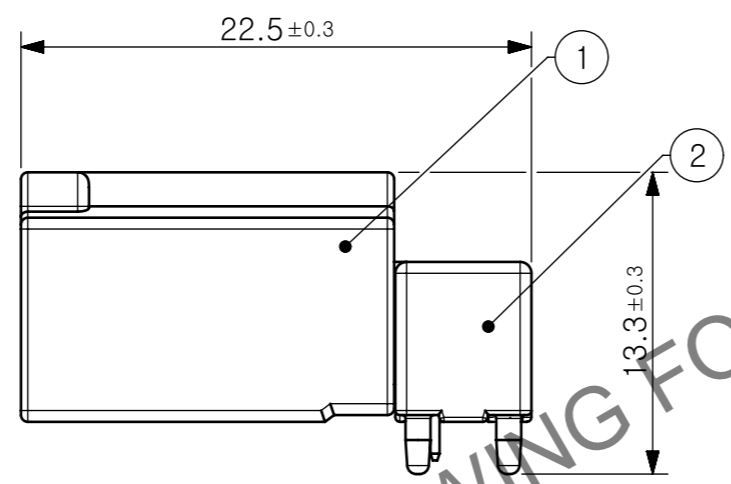
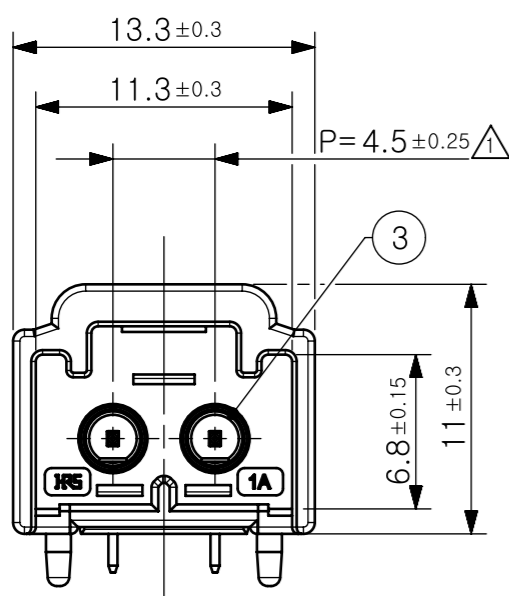
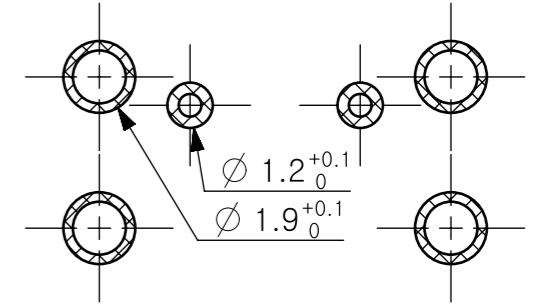


RECOMMENDED PCB LAYOUT(5:1)

-TOP VIEW-



-BACK VIEW-



HRS DRAWING FOR REFERENCE

NOTE

1. Applicable Plug
2. Peak Temperature : 260°C Peak, 10Sec Max.
3. No. of Soldering's Cycles : 2 Max
4. Recommended PCB Thickness is 1.6mm.
5. Recommended Solder Thickness is 0.12mm.
6. Reel Packaging Quantity : 320EA

	PART NO	PART NAME
W to B	6441-0034-3-800	KMA01-2S-4.5HA/GR(800)

No.	MATERIAL	FINISH,REMARKS	No.	MATERIAL	FINISH,REMARKS
7	PET	COVER TAPE	6	PS	EMBOSS CARRIER TAPE
5	BRASS	Ni+Sn+Au	4	PA	BLACK
3	BRASS	Ni	2	ZNDC2	Sn
1	PA	GRAY			

CODE NO. (OLD)	DRAWN	DESIGNED	CHECKED	APPROVED	RELEASED
	S.J MOON 25.10.28	S.J MOON 25.10.28	J.M KIM 25.10.28	B.H. AN 25.10.28	ENG 25.10.28 DEPT

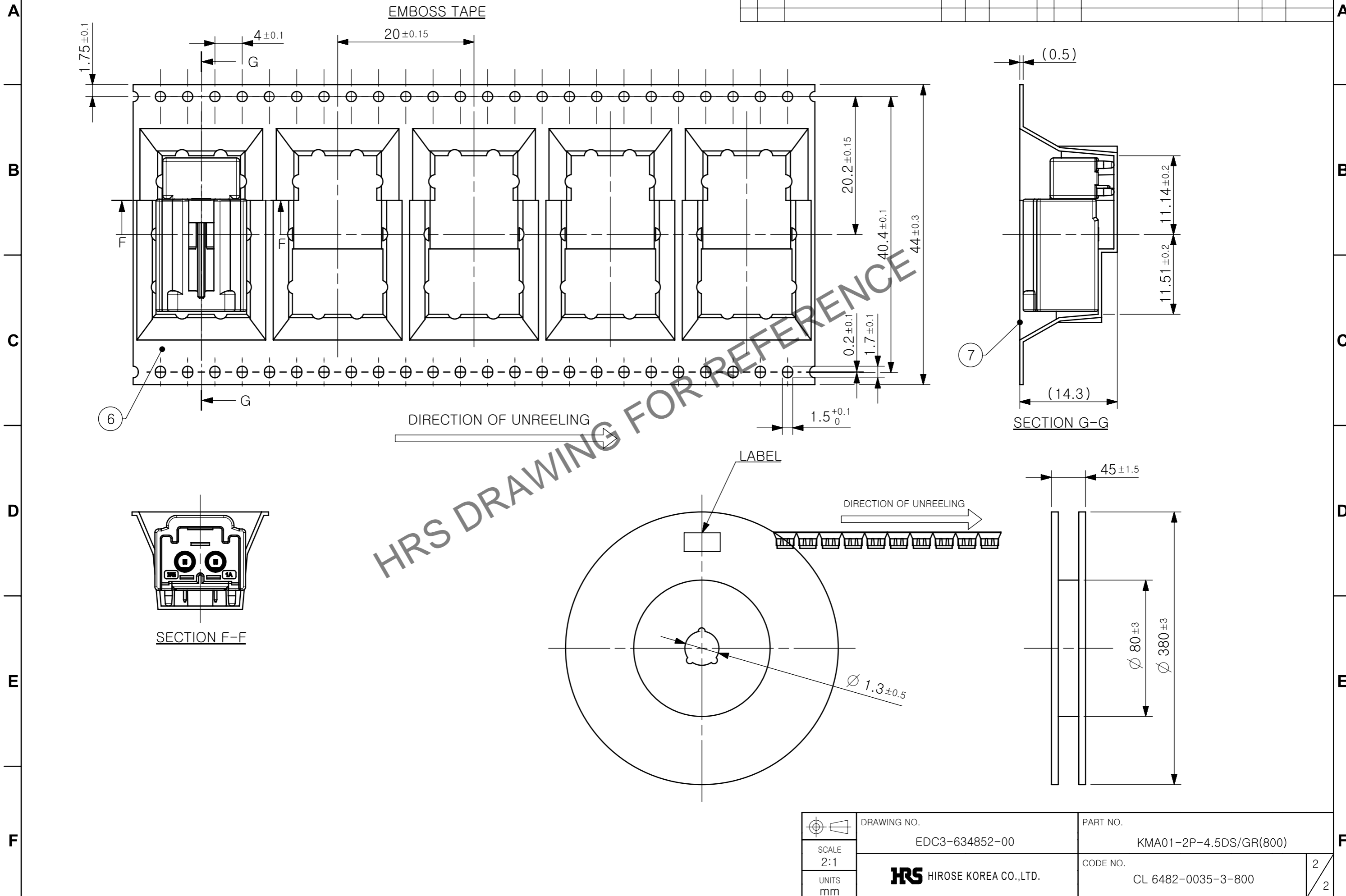
DRAWING NO.	PART NO.
EDC3-634852-00	KMA01-2P-4.5DS/GR(800)
UNITS mm	CODE NO.
HRS HIROSE KOREA CO.,LTD.	CL 6482-0035-3-800

1/2

Mar.1.2026 Copyright 2026 HIROSE ELECTRIC CO., LTD. All Rights Reserved.
In case of consideration for using Automotive equipment / device which demand high reliability, kindly contact our sales window correspondents.

PACKING STYLE

5			6			7			8					
△數 COUNT	訂正記事 DESCRIPTION OF REVISIONS	擔當 BY	檢圖 CHKD	年月日 DATE	△數 COUNT	訂正記事 DESCRIPTION OF REVISIONS	擔當 BY	檢圖 CHKD	年月日 DATE	△數 COUNT	訂正記事 DESCRIPTION OF REVISIONS	擔當 BY	檢圖 CHKD	年月日 DATE
3	RE-4-5665	MSJ	ABH	26.03.23										



HRS DRAWING FOR REFERENCE

 SCALE 2:1 UNITS mm	DRAWING NO. EDC3-634852-00	PART NO. KMA01-2P-4.5DS/GR(800)	<div style="text-align: right;">2</div> <div style="text-align: right;">2</div>
	HIROSE KOREA CO.,LTD.	CODE NO. CL 6482-0035-3-800	