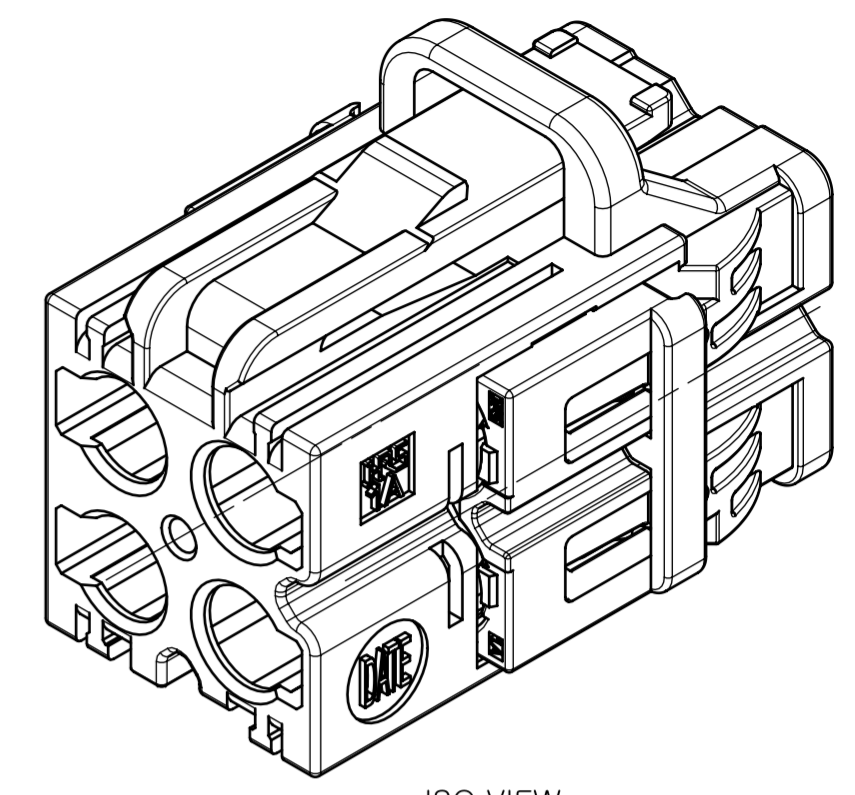
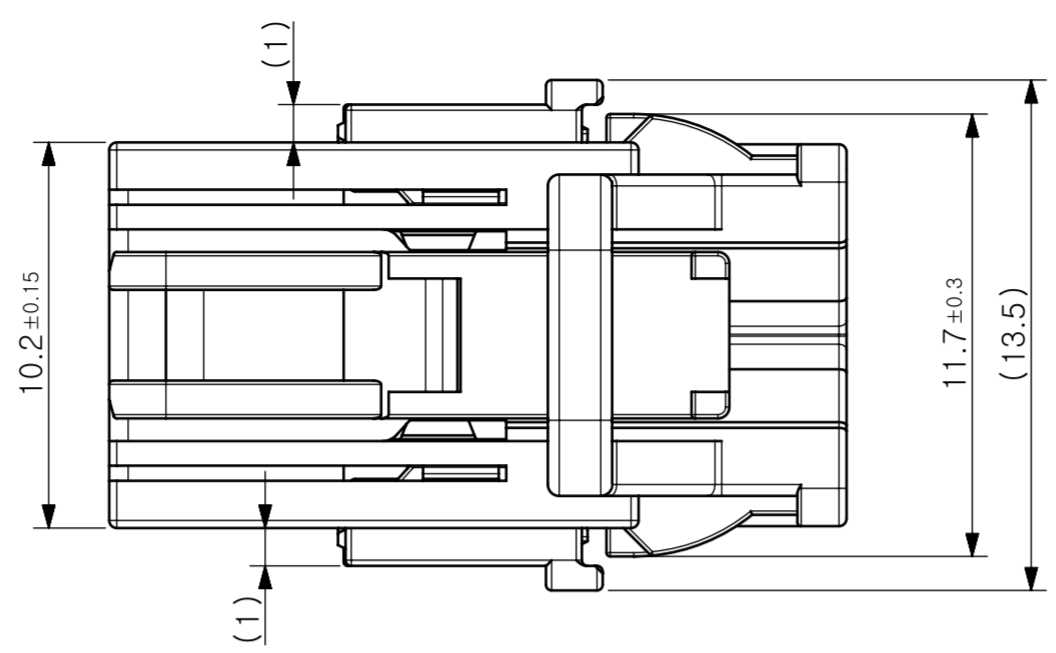
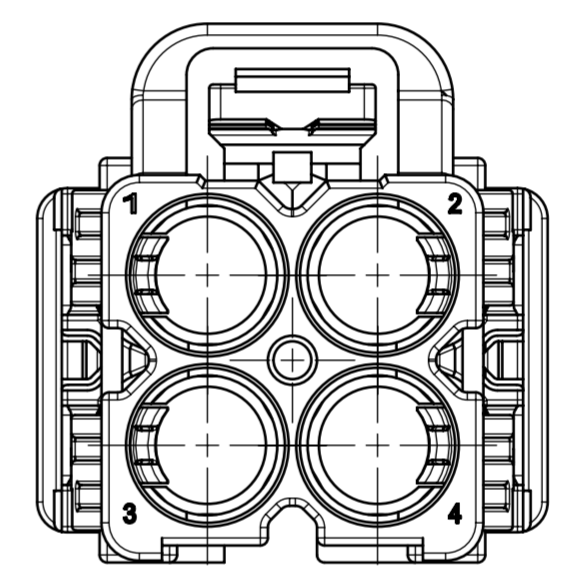
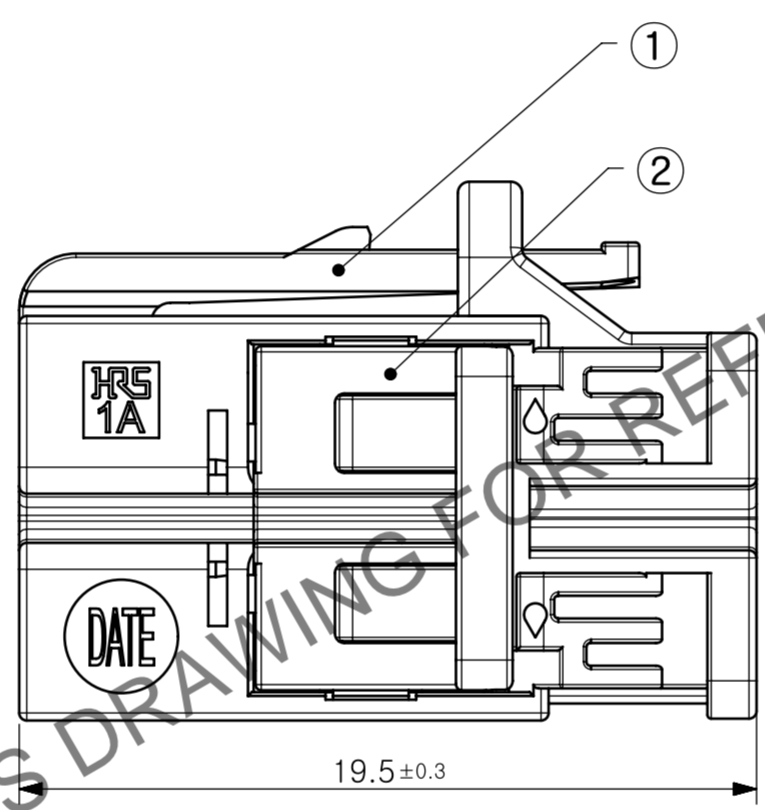
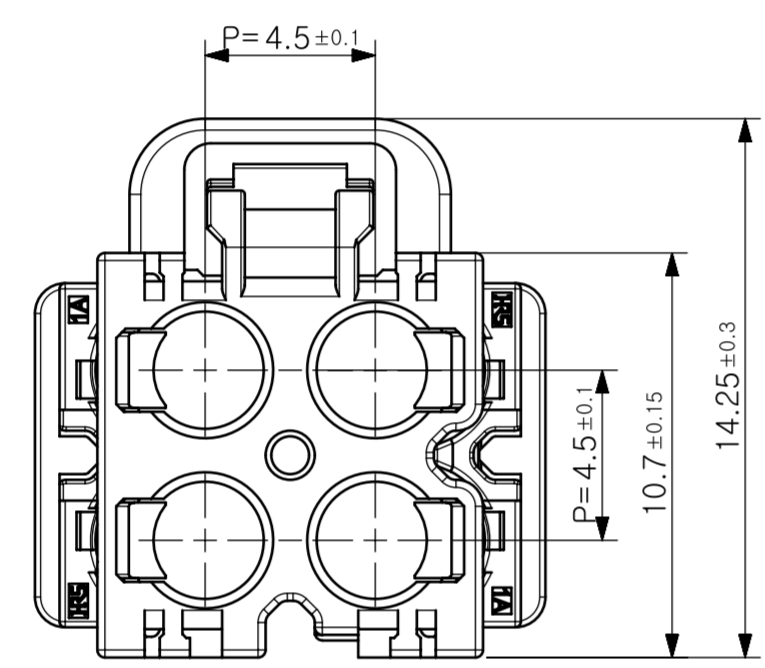


ELV. RoHS COMPLIANT

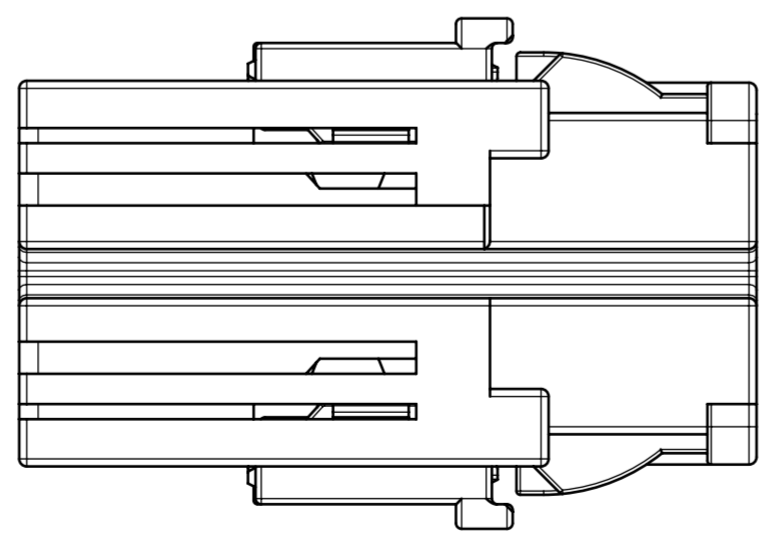
6				7				8			
△數	訂正記事	擔當	檢圖	承認	年月日	△數	訂正記事	擔當	檢圖	承認	年月日
COUNT	DESCRIPTION OF REVISIONS	BY	CHKD	APPD	DATE	COUNT	DESCRIPTION OF REVISIONS	BY	CHKD	APPD	DATE
△						△					
△						△					
△						△					



ISO VIEW



HRS DRAWING FOR REFERENCE



NOTE

1. Applicable Terminal

	PART NO	PART NAME
Ø3.0 TML	6482-0058-3-800	KMA01-3.0S-SA(03)(800)
	6451-0009-7-800	KMA01-3.0SCF(800)
	6459-0005-2-800	KMA01-3.0-SL(03)(800)

2. Applicable Receptacle

	PART NO	PART NAME
B to W	6482-0019-2-800	KMA01-4DP-4.5DS/B(800)

3. KMA01-4DS-4.5HA TPA is not missing parts and not fully assembled.  
- Maintain the first assembly.

1	PBT	-	2	PBT	-		
No.	MATERIAL	FINISH,REMARKS	No.	MATERIAL	FINISH,REMARKS		
CODE NO. (OLD)			DRAWN	DESIGNED	CHECKED	APPROVED	RELEASED
			S.J MOON	S.J MOON	J.M KIM	B.H. AN	ENG 25.10.28 DEPT
			25.10.28	25.10.28	25.10.28	25.10.28	
DRAWING NO. EDC2-631842-00			PART NO. KMA01-4DS-4.5HA/B(800)				
SCALE 5:1			CODE NO. CL 6441-0011-2-800				
UNITS mm			HRS HIROSE KOREA CO.,LTD.				

Mar.1.2026 Copyright 2026 HIROSE ELECTRIC CO., LTD. All Rights Reserved.  
In case of consideration for using Automotive equipment / device which demand high reliability, kindly contact our sales window correspondents.