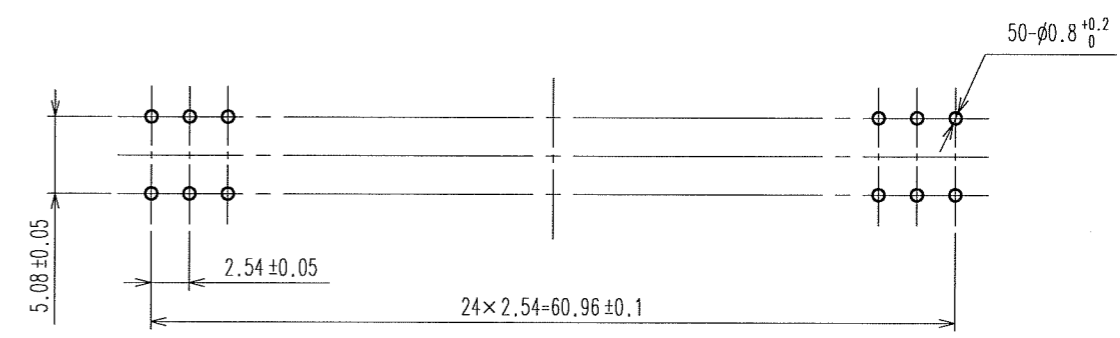
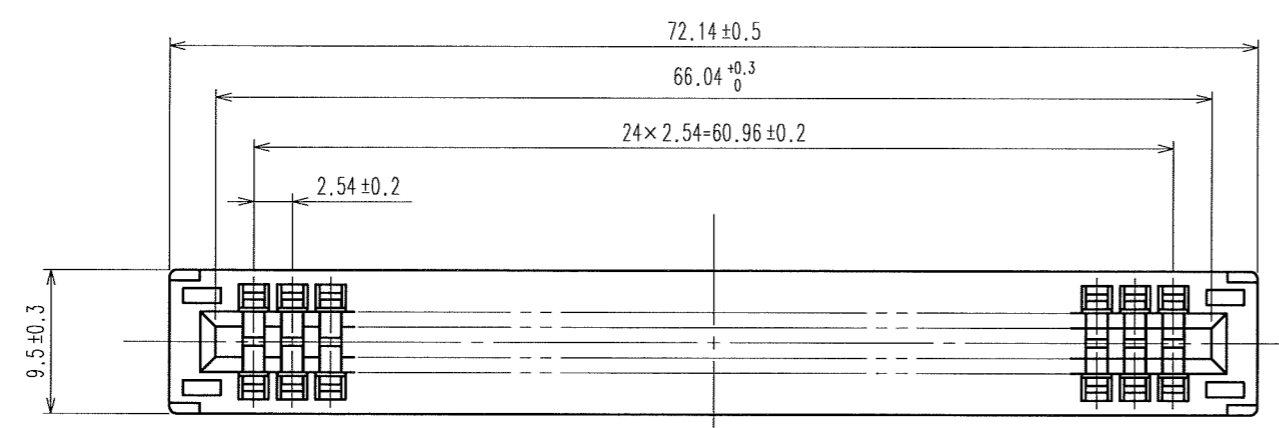
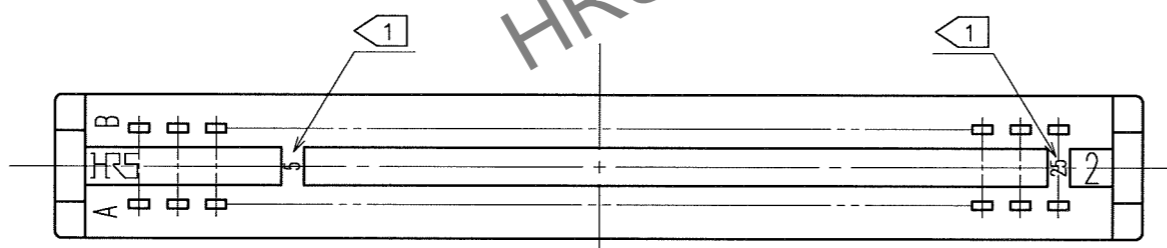
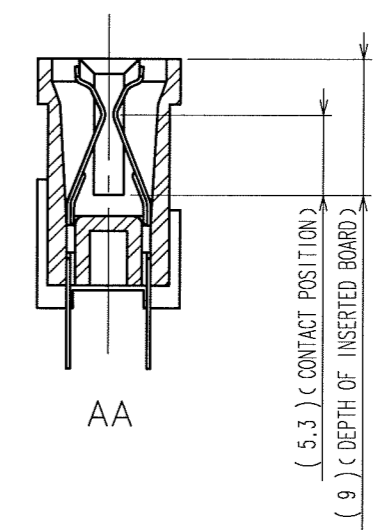
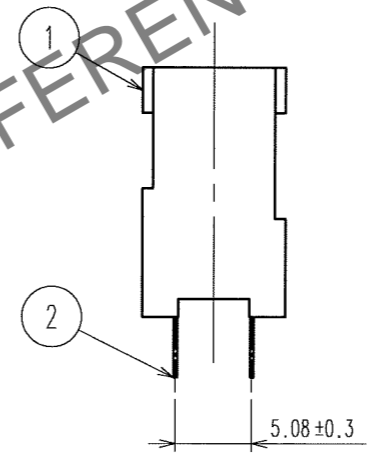
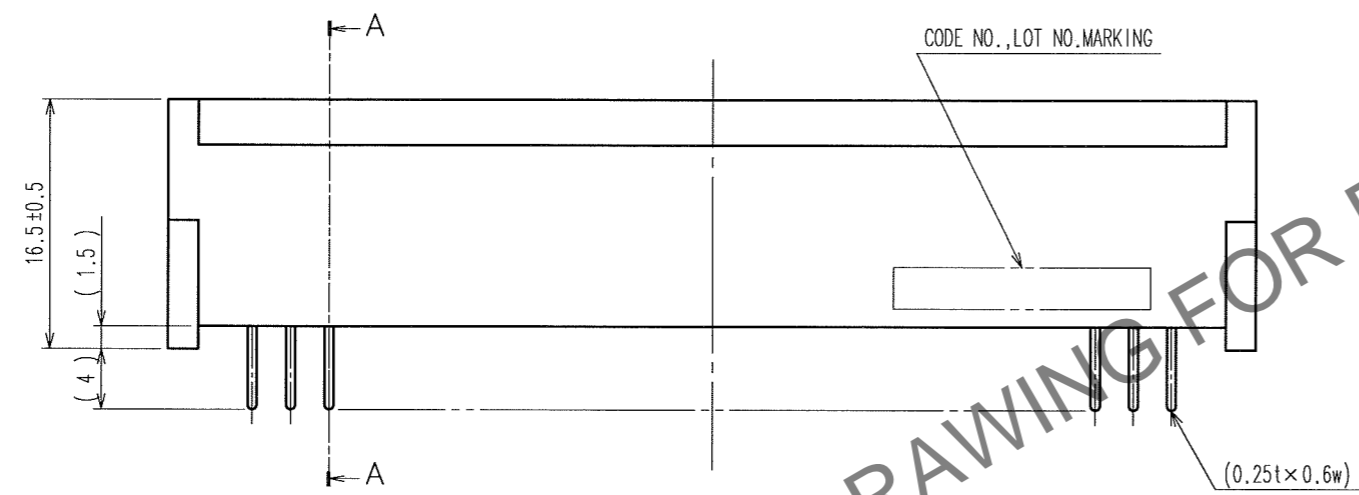


Feb.1.2025 Copyright 2025 HIROSE ELECTRIC CO., LTD. All Rights Reserved.
In case of consideration for using Automotive equipment / device which demand high reliability, kindly contact our sales window correspondents.

| COUNT | DESCRIPTION OF REVISIONS | BY | CHKD | DATE | COUNT | DESCRIPTION OF REVISIONS | BY | CHKD | DATE |
|-------|--------------------------|----|------|------|-------|--------------------------|----|------|------|
| △ | | | | .. | △ | | | | .. |
| △ | | | | .. | △ | | | | .. |
| △ | | | | .. | △ | | | | .. |



RECOMMENDED PC BOARD HOLE PATTERN (t=1.6±0.1)



NOTE 1 CONTACT NO. (5, 10, 15, 20, 25)
2 A POLARIZING KEY INSERTED BETWEEN THE FOLLOWING CONTACT POSITIONS. (5~6), (10~11), (15~16), (20~21)

| NO. | MATERIAL | FINISH, REMARKS |
|-----|-----------------|---|
| 2 | PHOSPHOR BRONZE | CONTACT AREA: Ni2.5μm+Au0.03μm DIP AREA: Ni2.5μm+Sn2μm |
| 1 | PBT | BLACK UL94V-0 |

| | | | | | |
|-------------------------------|-------------------------------|----------------------------------|--|---|----------------|
| CODE NO. (OLD) CL | DRAWN H.Saitou 06.06.06 | DESIGNED H.Saitou 06.06.06 | CHECKED <i>J. Tomieda</i> 06.06.19 | APPROVED <i>K. Shijima</i> 06.06.19 | RELEASED .. |
| DRAWING NO. EDC3-017785-01 | | PART NO. CR22A-50D-2.54DS(70) | | | 1/1 |
| SCALE 2 : 1 UNITS mm | | CODE NO. CL522-0004-0-70 | | | |

HRS HIROSE ELECTRIC CO., LTD