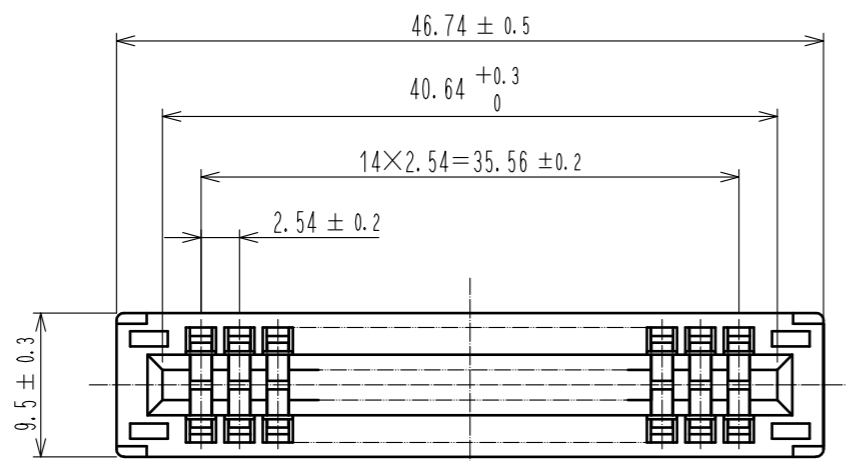
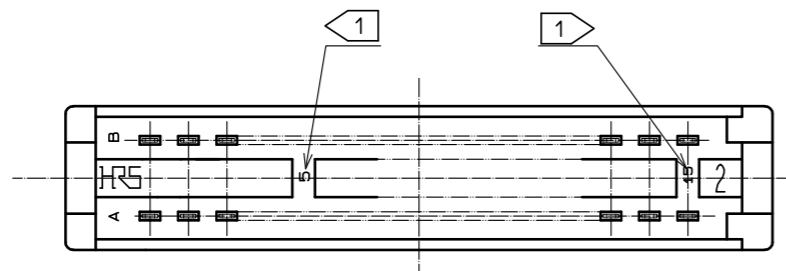
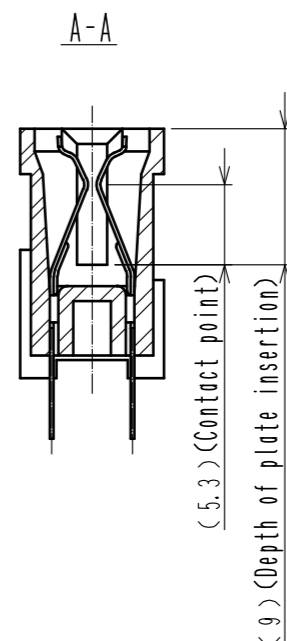
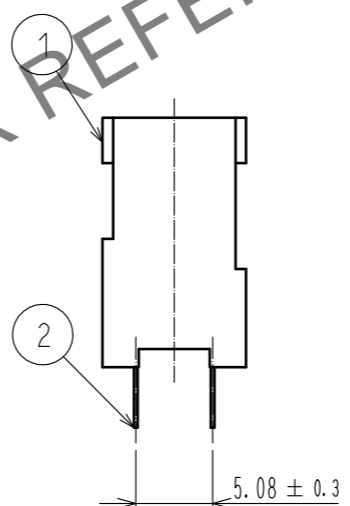
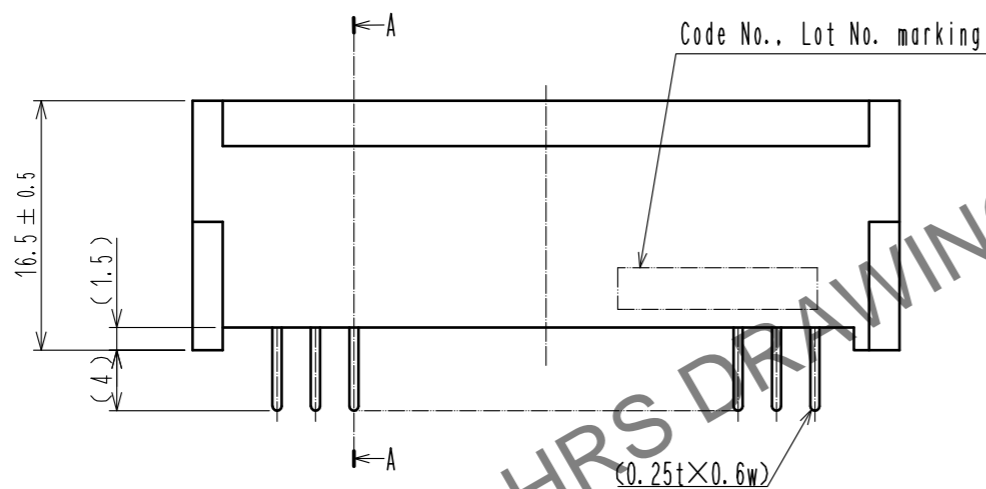
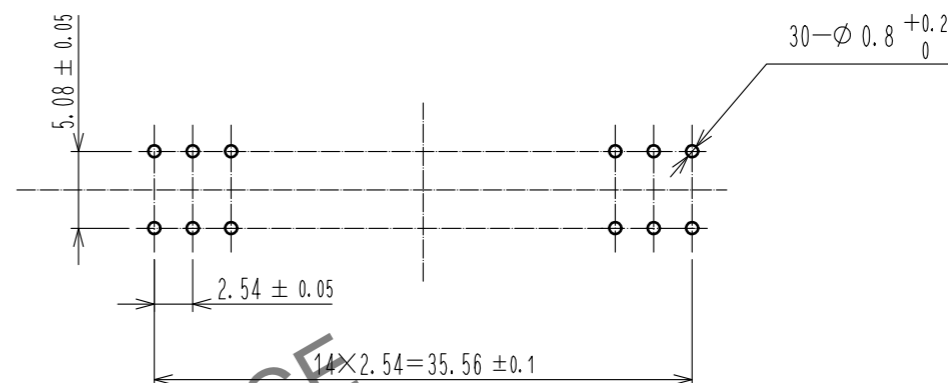


Jan.1.2025 Copyright 2025 HIROSE ELECTRIC CO., LTD. All Rights Reserved.  
 In case of consideration for using Automotive equipment / device which demand high reliability, kindly contact our sales window correspondents.



Recommended PC board hole pattern (t=1.6±0.1)



- Notes
- 1 Contact No. (5, 10, 15) are shown.
  - 2 A polarizing key inserted between the following contact positions. (5 to 6), (10 to 11)
  - 3 The dimensions in parentheses are for reference.

1	PBT	BLACK	UL94V-0	2	PHOSPHOR BRONZE	<Contact area>Ni2.5μm+Au0.05μm <Mounting area>Ni2.5μm+Sn2μm		
NO.	MATERIAL	FINISH	REMARKS	NO.	MATERIAL	FINISH . REMARKS		
UNITS	mm	SCALE	2 : 1	COUNT	DESCRIPTION OF REVISIONS	DESIGNED	CHECKED	DATE
HIROSE ELECTRIC CO., LTD.		APPROVED	: HT. YAMAGUCHI	18.06.25	DRAWING NO.	EDC-017836-70-01		
		CHECKED	: HT. YAMAGUCHI	18.06.25	PART NO.	CR22A-30D-2.54DS<70>		
		DESIGNED	: TY. EDAGAWA	18.06.25	CODE NO.	CL522-0010-2-70		
		DRAWN	: MK. OOKI	18.06.21				