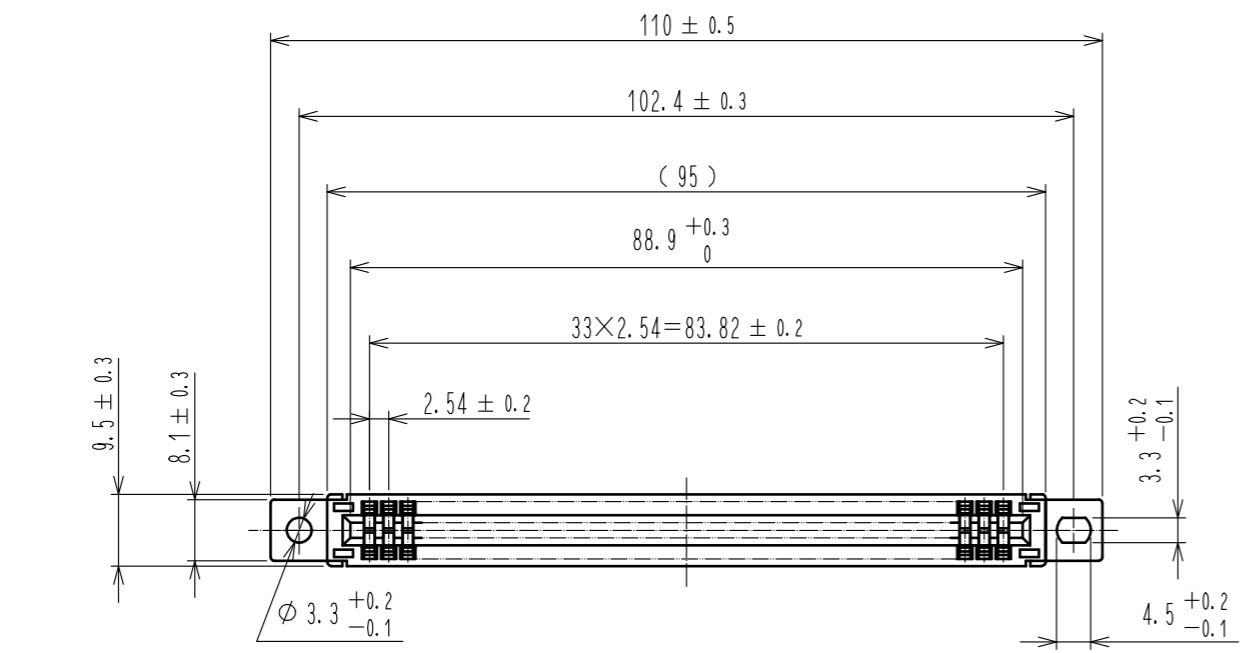
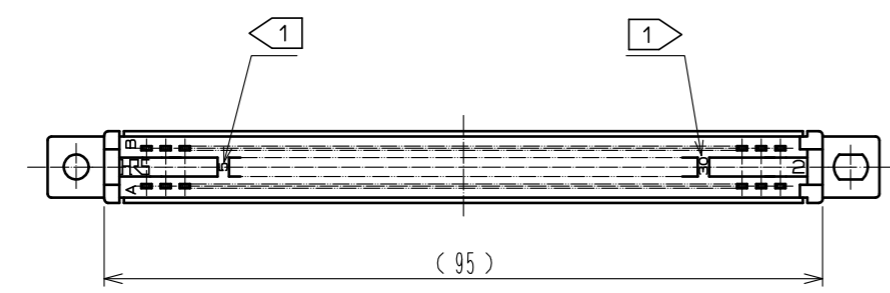
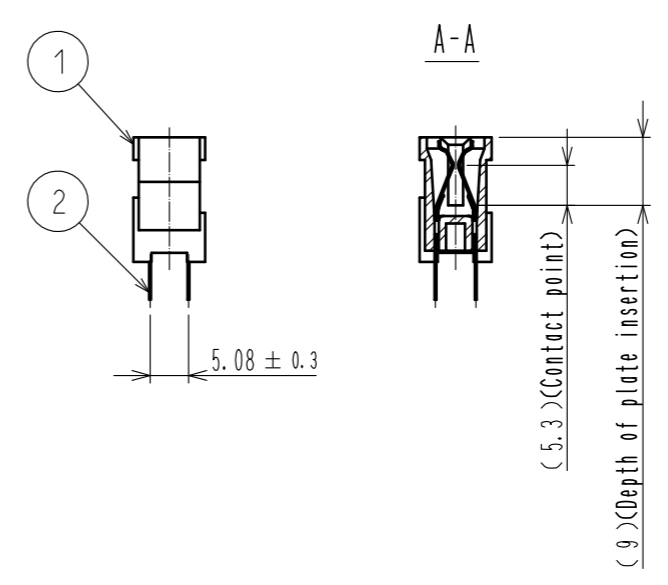
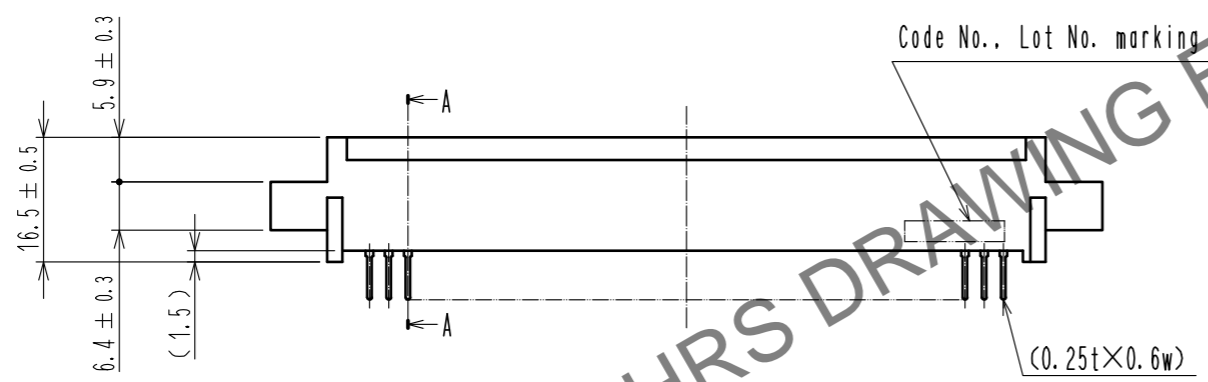
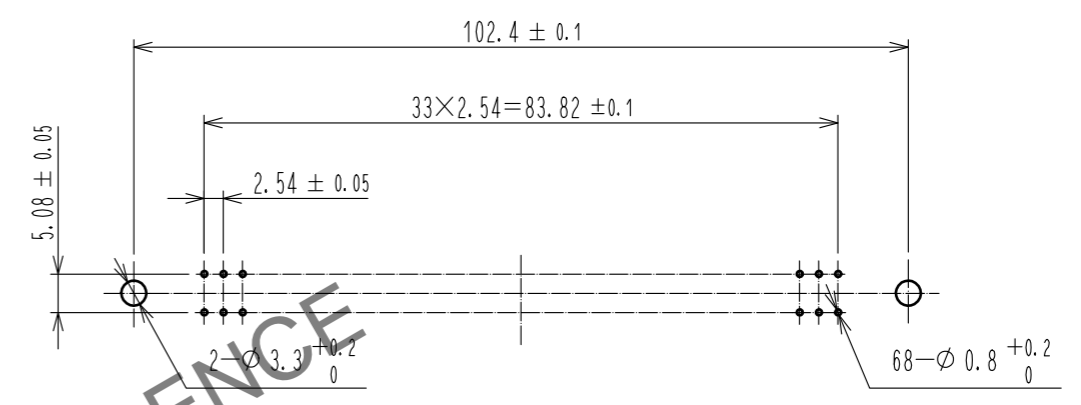


Nov.1.2024 Copyright 2024 HIROSE ELECTRIC CO., LTD. All Rights Reserved.
 In case of consideration for using Automotive equipment / device which demand high reliability, kindly contact our sales window correspondents.



Recommended PC board hole pattern (t=1.6±0.1)



- Notes
- 1 Contact No. (5, 10, 15, 20, 25, 30) are shown.
 - 2 A polarizing key inserted between the following contact positions. (5 to 6), (10 to 11), (15 to 16), (20 to 21), (25 to 26), (30 to 31).
 - 3 The dimensions in parentheses are for reference.

1	PBT	BLACK	UL94V-0	2	PHOSPHOR BRONZE	<Contact area>Ni2.5μm+Au0.05μm		
NO.	MATERIAL	FINISH	REMARKS	NO.	MATERIAL	<Mounting area>Ni2.5μm+Sn2μm		
UNITS	mm	SCALE	1:1	COUNT	DESCRIPTION OF REVISIONS	DESIGNED	CHECKED	DATE
HRS	HIROSE ELECTRIC CO., LTD.	APPROVED	HT. YAMAGUCHI	18.06.25	DRAWING NO.	EDC-017833-70-01		
		CHECKED	HT. YAMAGUCHI	18.06.25	PART NO.	CR22-68D-2.54DS(70)		
		DESIGNED	TY. EDAGAWA	18.06.25	CODE NO.	CL522-0017-1-70		
		DRAWN	MK. OKI	18.06.21				