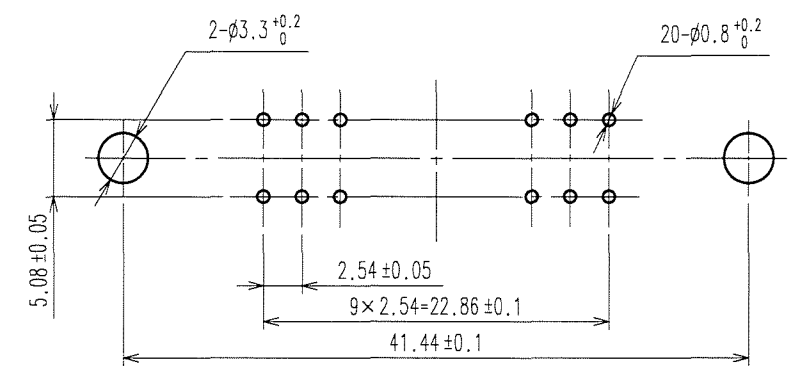
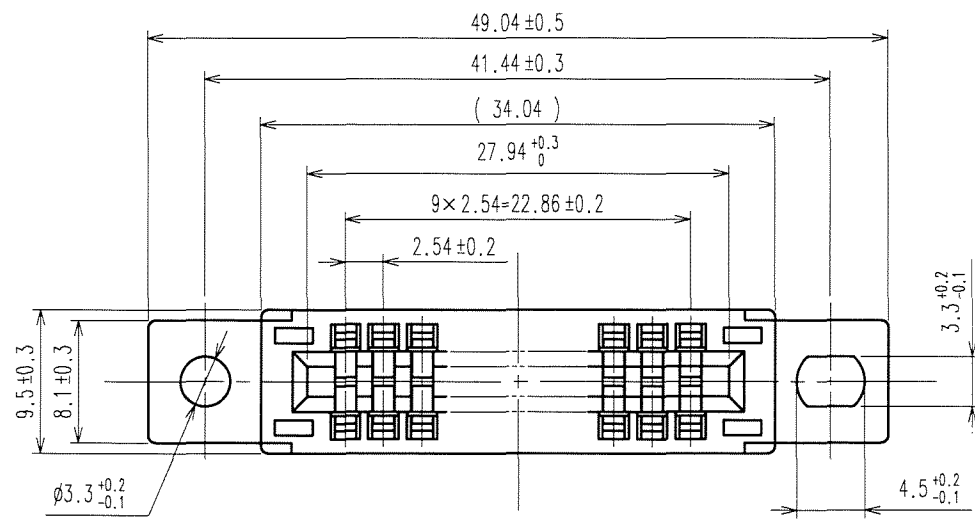
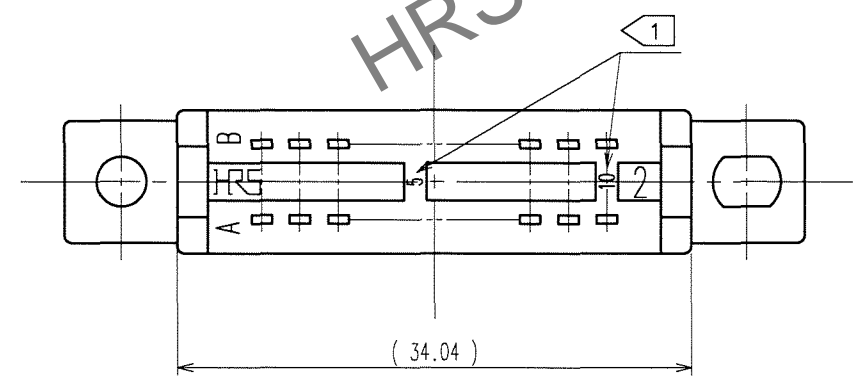
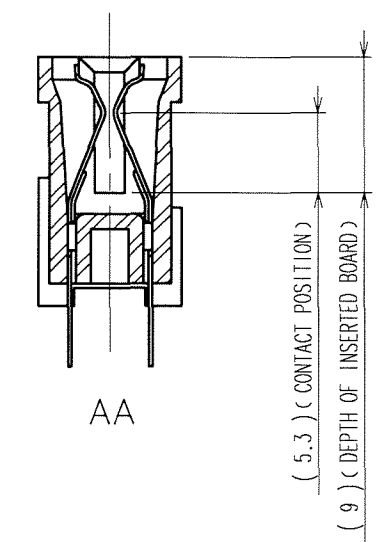
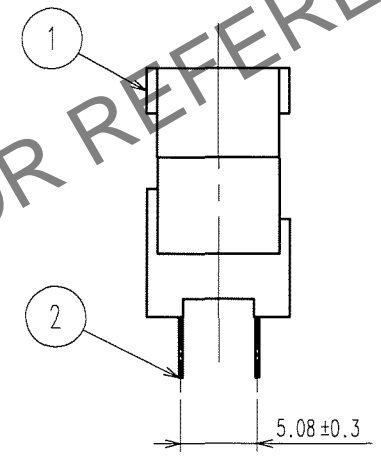
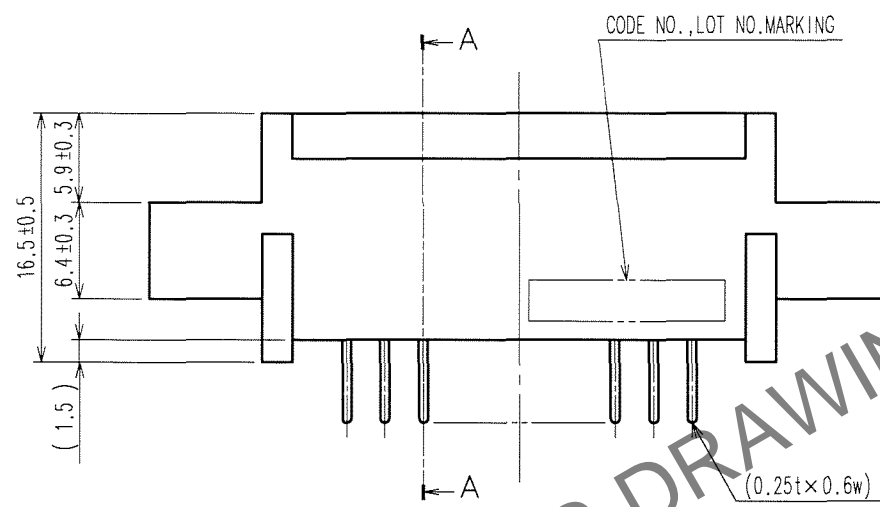


Nov.1.2024 Copyright 2024 HIROSE ELECTRIC CO., LTD. All Rights Reserved.  
In case of consideration for using Automotive equipment / device which demand high reliability, kindly contact our sales window correspondents.

COUNT	DESCRIPTION OF REVISIONS	BY	CHKD	DATE	COUNT	DESCRIPTION OF REVISIONS	BY	CHKD	DATE
△					△				
△					△				
△					△				



RECOMMENDED PC BOARD HOLE PATTERN(t=1.6±0.1)



HRS DRAWING FOR REFERENCE

NOTE ① CONTACT NO. (5,10)  
2 A POLARIZING KEY INSERTED BETWEEN THE FOLLOWING CONTACT POSITIONS. (3~4), (8~9)

2	PHOSPHOR BRONZE	CONTACT AREA: Ni2.5μm+Au0.05μm DIP AREA: Ni2.5μm+Sn2μm
1	PBT	BLACK UL94V-0
NO.	MATERIAL	FINISH, REMARKS

CODE NO. (OLD) CL	DRAWN H.Sugimura 07.05.17	DESIGNED H.Sugimura 07.05.17	CHECKED <i>S. Tomida</i> 07.05.18	APPROVED <i>K. Shigenaga</i> 07.05.18	RELEASED
SCALE 2 : 1 UNITS mm	DRAWING NO. EDC3-018701-01		PART NO. CR22-20D-2.54DS(70)		
	HRS HIROSE ELECTRIC CO., LTD		CODE NO. CL522-0063-9-70	1/1	

TO
PCK